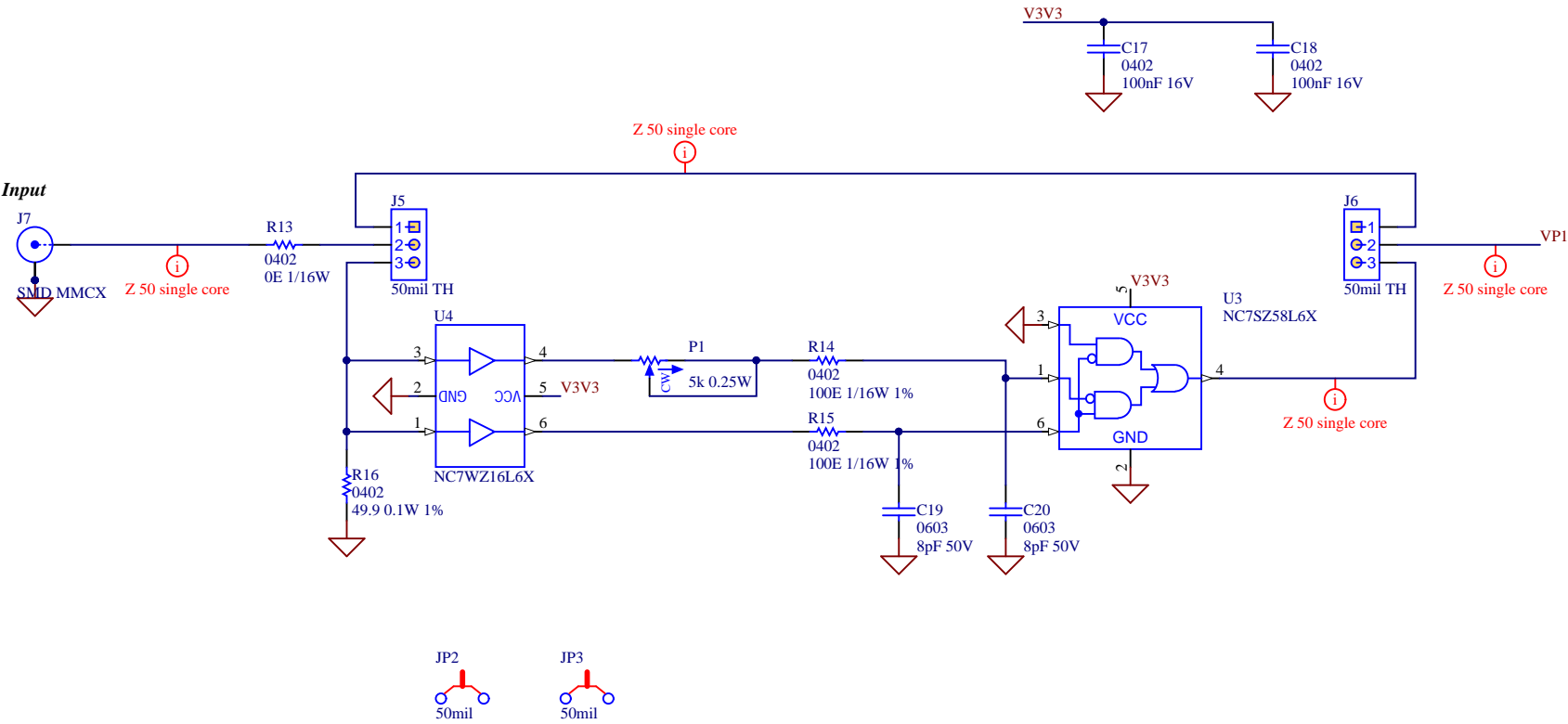



Signal Input

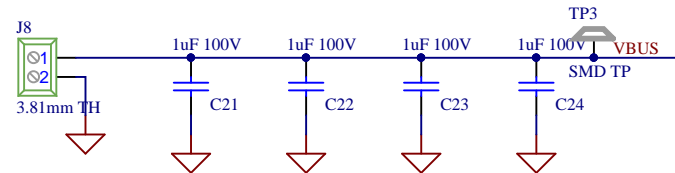


LiDAR Pulse Demonstration Board

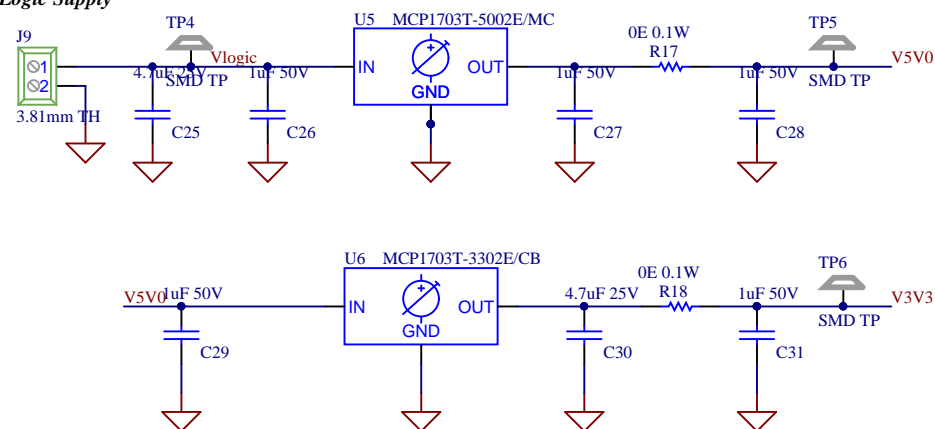
Title EPC9172_Rev1_0		Efficient Power Conversion 909 Sepulveda Blvd. Ste 230 El Segundo, CA 90245 U.S.A. www.epc-co.com		
Size: A	Revision: 1			
Date: 9/20/2021	Sheet 1 of 1			
File: EPC9172_B5325_Rev1_0_Input.SchDoc				

© Copyright EPC 2021

Main Supply Input



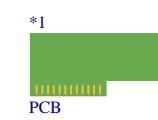
Logic Supply



eGaN® IC

© EPC

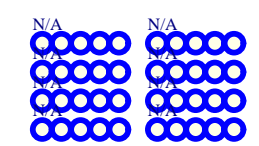
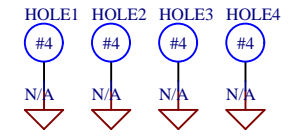
Cannot open file
C:\EPC\Library\EPC
Library\Logos\EPC_Log
oL.jpg



For evaluation only;
not FCC approved for resale



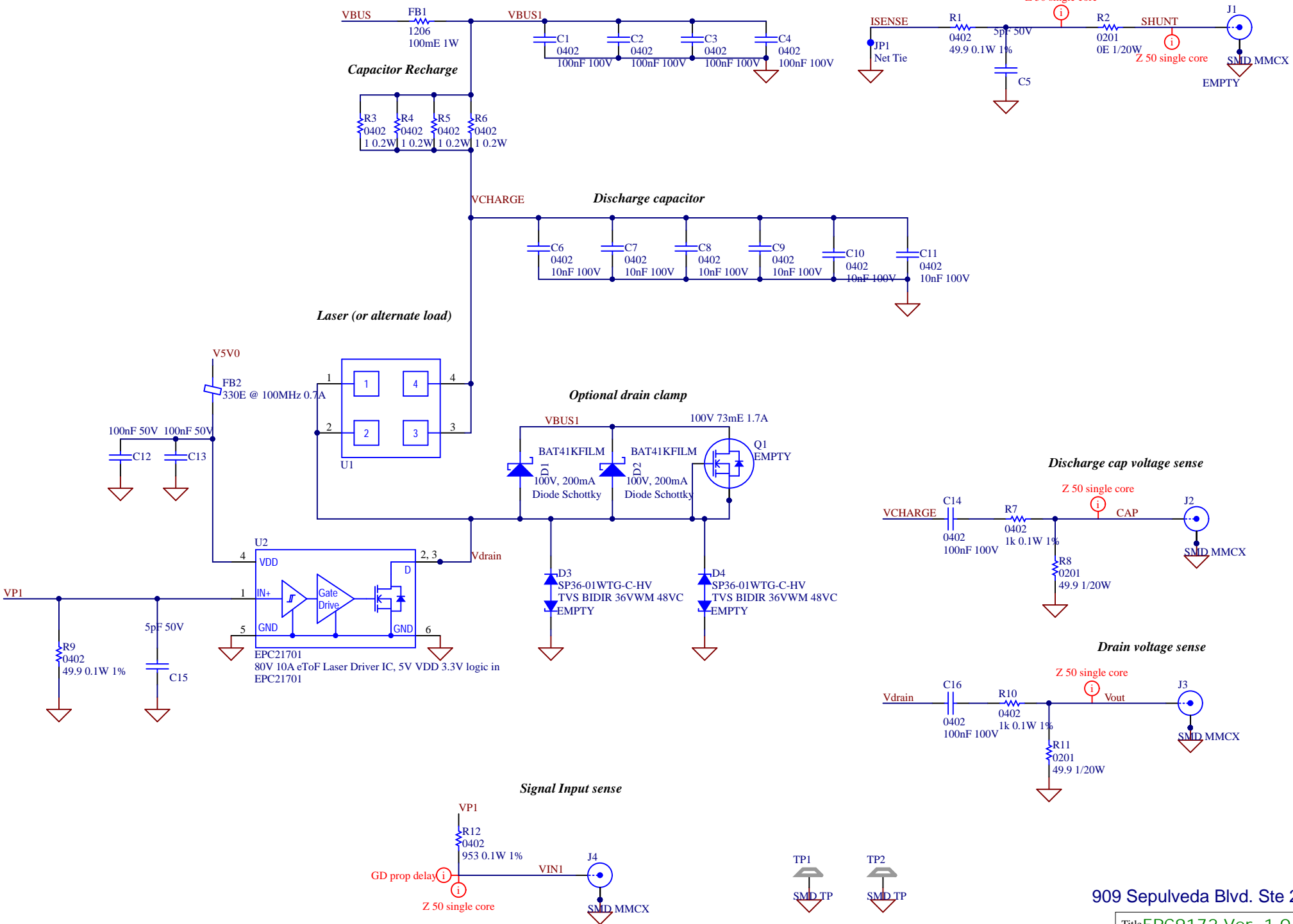
Local Fiducials



LiDAR Pulse Demonstration Board

Title EPC9172 Ver. 1.0		Efficient Power Conversion 909 Sepulveda Blvd. Ste 230 El Segundo, CA 90245 U.S.A. www.epc-co.com	
Size: A	Revision: 1		
Date: 9/20/2021	Sheet 1 of 1		
File: EPC9172_B5325_Rev1_0_Power.SchDoc			

© Copyright EPC 2021



909 Sepulveda Blvd. Ste 230

Title EPC9172 Ver. 1.0		Efficient Power Conversion 909 Sepulveda Blvd. Ste 230 El Segundo, CA 90245 U.S.A. www.epc-co.com	
Size: A	Revision: 1		
Date: 8/1/2022	Sheet 1 of 1		
File: EPC9172_B5325_Rev1_0_Driver.SchDoc			

© Copyright EPC 2021