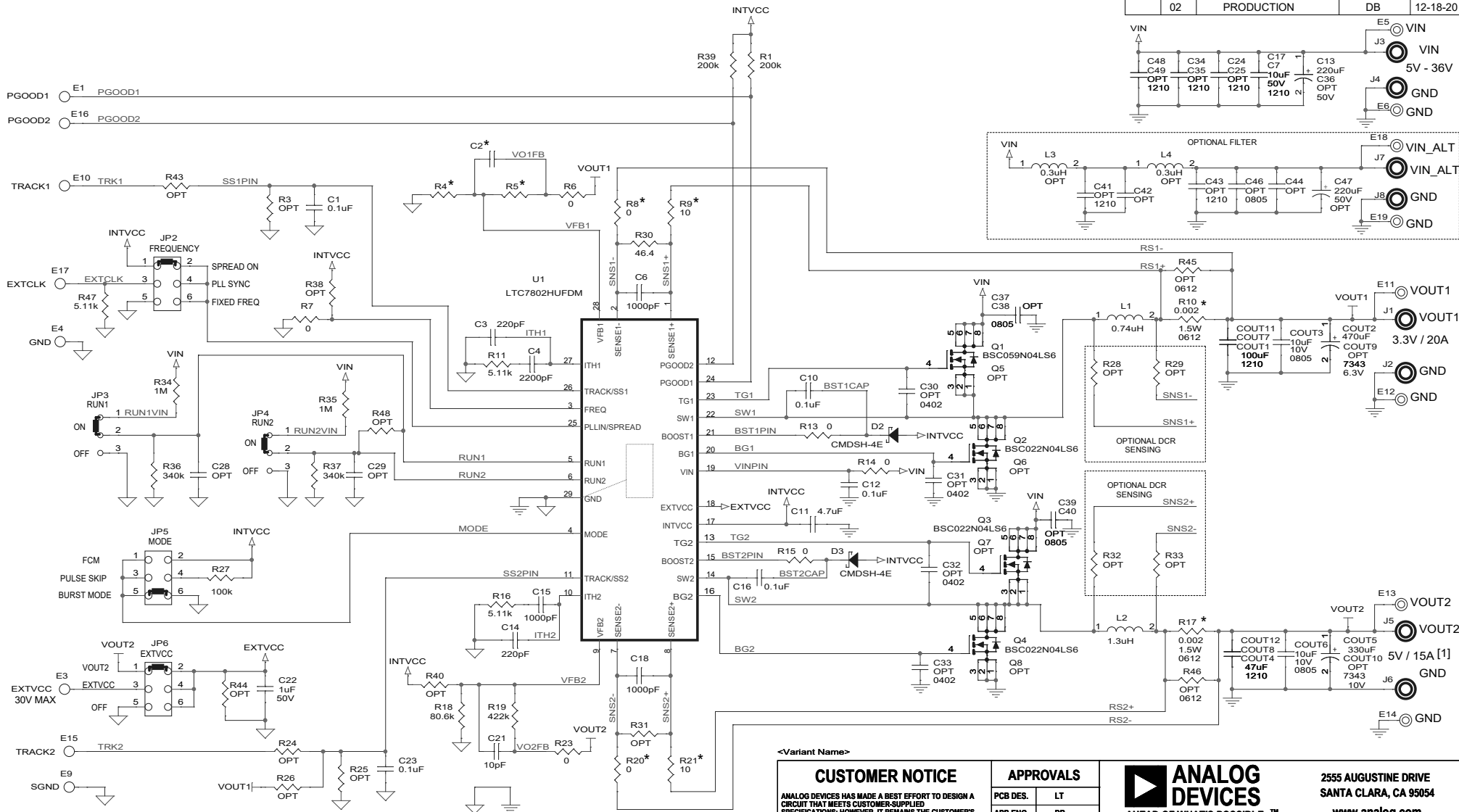


REVISION HISTORY				
ECO	REV	DESCRIPTION	APPROVED	DATE
	02	PRODUCTION	DB	12-18-20



**OUTPUT VOLTAGE ON CHANNEL 1**

VERSION	C2	R4	R5
-A PROGRAMMABLE	10pF	80.6K	255K
-B FIXED AT 3.3V	NS	NS	0

**NOTE: UNLESS OTHERWISE SPECIFIED**  
1. ALL RESISTORS AND CAP ARE 0603.

\* OPTIONAL DCR SENSING:  
NOTE: WHEN DCR SENSING IS IMPLEMENTED, SHORT R10 AND R17,  
DO NOT STUFF R8,R9,R20 AND R21

**CUSTOMER NOTICE**  
ANALOG DEVICES HAS MADE A BEST EFFORT TO DESIGN A CIRCUIT THAT MEETS CUSTOMER-SUPPLIED SPECIFICATIONS; HOWEVER, IT REMAINS THE CUSTOMER'S RESPONSIBILITY TO VERIFY PROPER AND RELIABLE OPERATION IN THE ACTUAL APPLICATION. COMPONENT SUBSTITUTION AND PRINTED CIRCUIT BOARD LAYOUT MAY SIGNIFICANTLY AFFECT CIRCUIT PERFORMANCE OR RELIABILITY. CONTACT ANALOG DEVICES APPLICATIONS ENGINEERING FOR ASSISTANCE.

THIS CIRCUIT IS PROPRIETARY TO ANALOG DEVICES AND SUPPLIED FOR USE WITH ANALOG DEVICES PARTS.

**APPROVALS**

PCB DES.	LT
APP ENG.	DB

**ANALOG DEVICES**  
AHEAD OF WHAT'S POSSIBLE™

2555 AUGUSTINE DRIVE  
SANTA CLARA, CA 95054  
www.analog.com

**TITLE: SCHEMATIC**  
**LOW IQ, DUAL, SYNCHRONOUS STEP-DOWN SUPPLY**

IC NO.	LTC7802HUFDM	SCHEMATIC NO. AND REVISION:	
SKU NO.	DC2922A	710-DC2922A(A,B)_REV02	
SIZE:	N/A	DATE:	Friday, December 18, 2020
			SHEET 1 OF 1