

CGB3B1JB1A475M055AC

TDK Item Description : CGB3B1JB1A475MT****

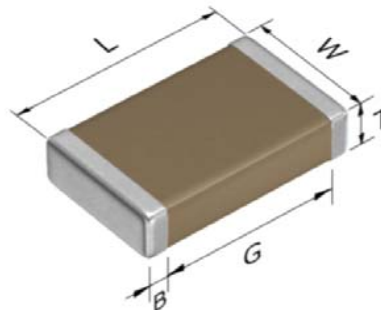


Application & Main Feature

Commercial Grade (Low Profile)

Series

CGB3(1608) [EIA CC0603]



Dimensions

L 1.60mm +/-0.1mm
 W 0.80mm +/-0.1mm
 T 0.50mm +/-0.05mm
 B 0.20mm Min.
 G 0.30mm Min.

Temperature Characteristic

JB (-25 to 85 degC +/-10%)

Rated Voltage

1A (10Vdc)

Capacitance

4.7uF

Capacitance Tolerance

M (+/-20%)

Dissipation Factor

10% Max.

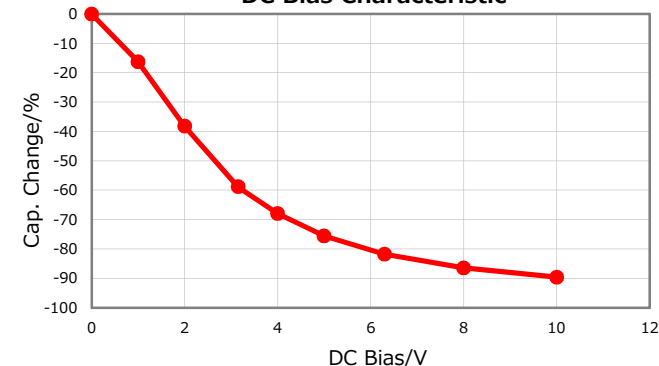
Insulation Resistance

21Mohm Min.

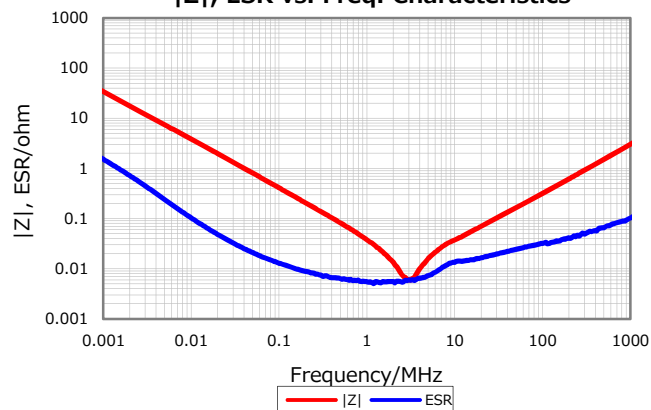
AEC-Q200

Not Applicable

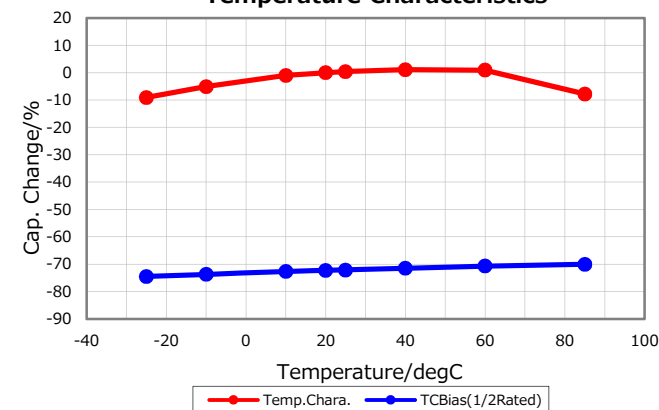
DC Bias Characteristic



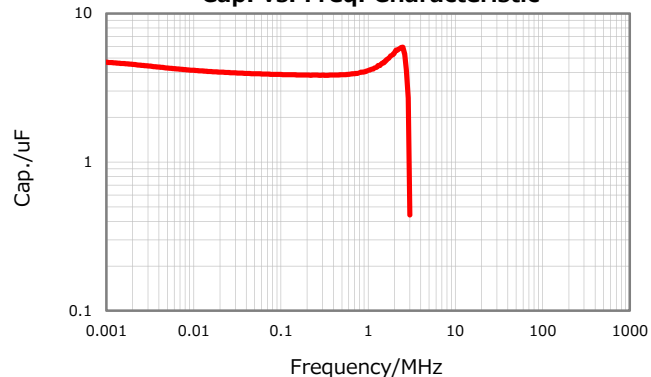
|Z|, ESR vs. Freq. Characteristics



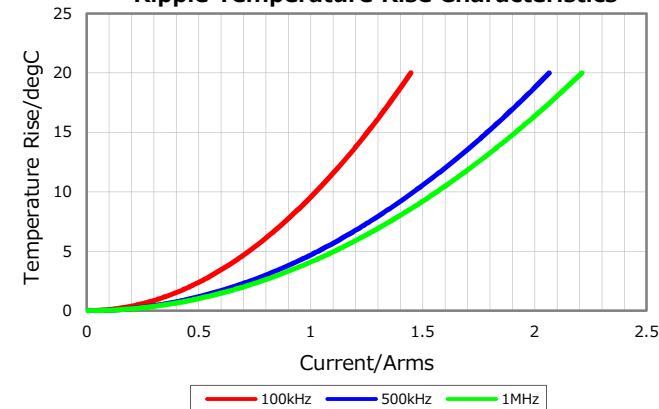
Temperature Characteristics



Cap. vs. Freq. Characteristic



Ripple Temperature Rise Characteristics



Characterization Sheet (Multilayer Ceramic Chip Capacitors)



All specifications are subject to change without notice.

November 26, 2018