



ANATECH ELECTRONICS INC
RF & Microwave Filters & Products

22.63 MHz LC Band Pass Filter

Part Number: AE22.63B5449



Electrical Specifications

Center Frequency: 22.63 MHz
3dB Passband: 19.09-26.94 MHz Min
Insertion Loss: 4.0 dB Max.
Return Loss: 14 dB Min.
Rejection1: 40 dB Min @ 16.07 MHz
Rejection2: 40dB Min @ 31.87 MHz
Power Handling: 10 W

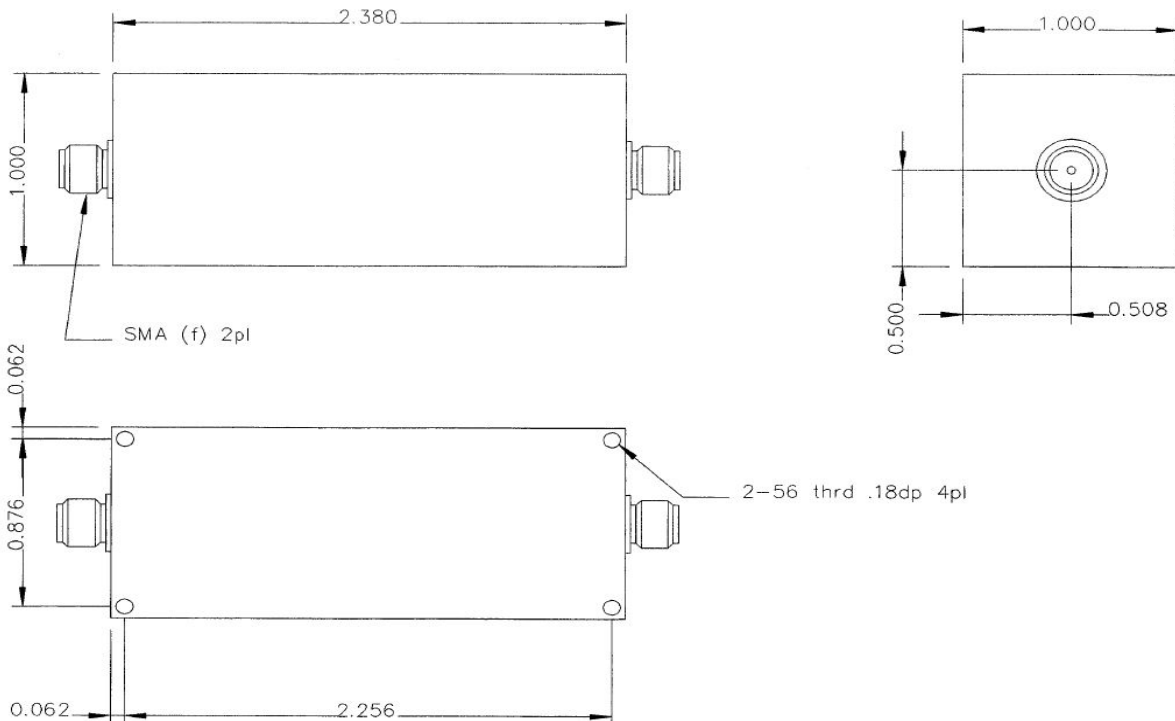
Mechanical

Mounting Method: Threaded Holes
Connector Type: SMA(F)
Dimensions: 2.38" X 1.0" x 1.0".

Environmental

Operating Temperature: -25°C to +70°C
Storage Temperature: -40°C to +90°C
Shock: 10 G. 11ms
Vibration: 10 G. 5 to 200Hz

Outline Drawing:



Tolerance: +/-0.01 inches [+/- 0.3mm]

Angles: +/- 1 Deg.

*Tolerance as shown unless otherwise specified in the datasheet electrical specification tables above.

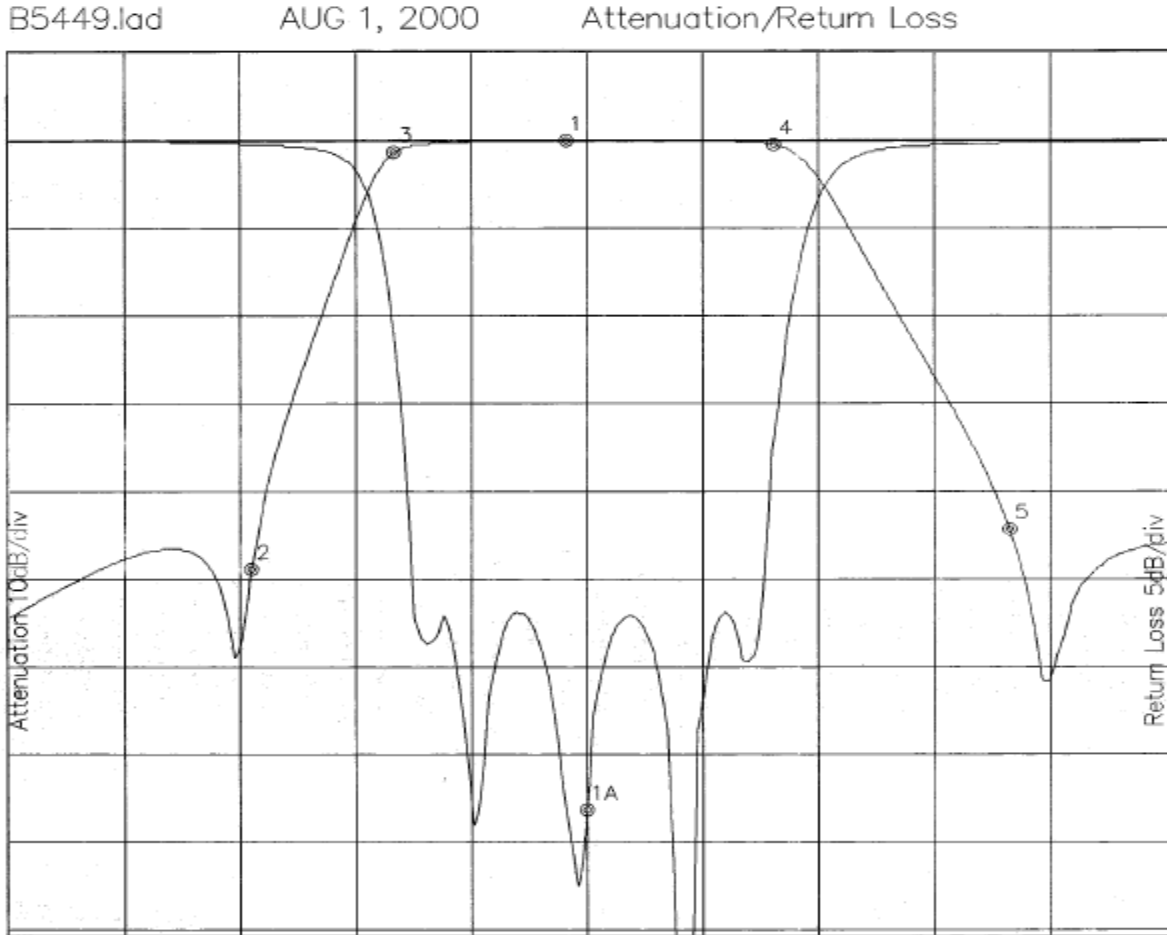
*When max dimensions are called out the above tolerances do not apply as long as it is under the max call out.

70 Outwater Lane Phone: (973) 772-4242
 Garfield, NJ 07026 Fax : (973) 321-3941

Email: sales@anatechelectronics.com
 Web: www.anatechelectronics.com



Simulation Plot:



Attenuation Start: 11.0MHz Stop: 35.0MHz Return Loss Start: 11.0MHz Stop: 35.0MHz
Offset -0.6521dB
Marker 1 Freq 22.554MHz Atten 0.057dB Marker 1A Freq 22.981MHz Ret Loss -38.171dB
Marker 2 Freq 16.002MHz Atten -48.932dB
Marker 3 Freq 18.948MHz Atten -1.368dB
Marker 4 Freq 26.858MHz Atten -0.472dB
Marker 5 Freq 31.743MHz Atten -44.350dB

Note: This is a simulated response plot. Actual performance might differ.