

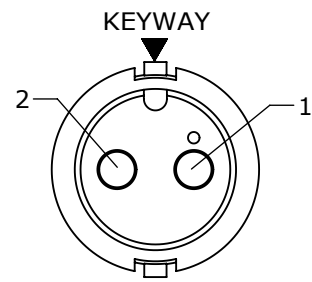
CUSTOMER PRINT

PART NUMBER: 6380-XSG-3XXW

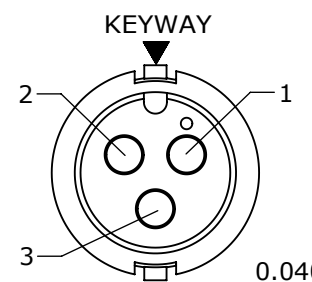
NOTES:  
1. ALL PARTS TO BE BULK PACKED.

KIT P/N	GROMMET SIZE
6380-XSG-3DCW	DAISY CHAIN
6380-XSG-311W	CABLE O.D. .09-.14 [2.3-3.5mm]
6380-XSG-315W	CABLE O.D. .15-.17 [3.8-4.3mm]
6380-XSG-318W	CABLE O.D. .18-.20 [4.6-5.1mm]
6380-XSG-321W	CABLE O.D. .21-.23 [5.3-5.8mm]

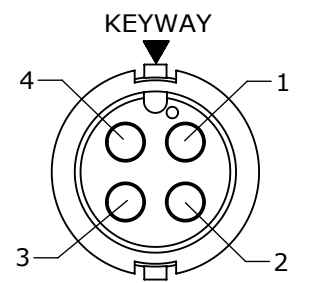
KIT P/N	NO. OF CONTACTS
6380-2SG-3XXW	2 #16
6380-3SG-3XXW	3 #16
6380-4SG-3XXW	4 #16
6380-5SG-3XXW	5 #16
6380-XSG-3XXW	



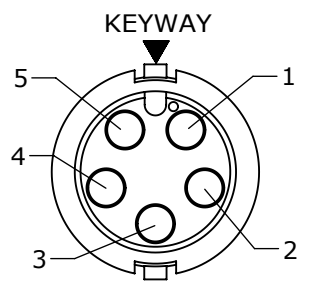
**FACE VIEW**  
6380-2SG-3XXW



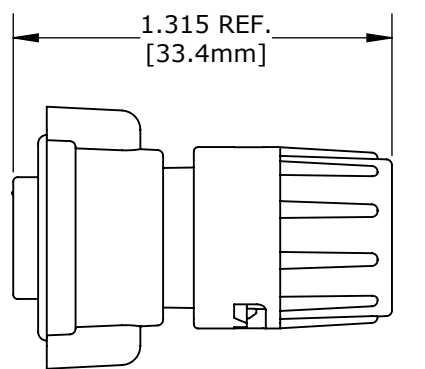
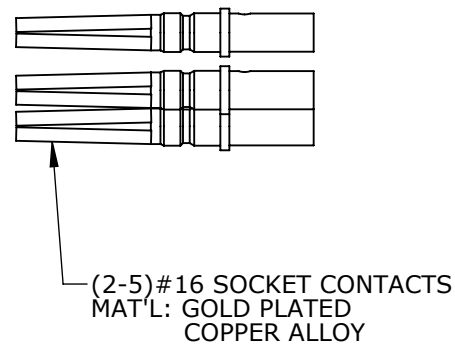
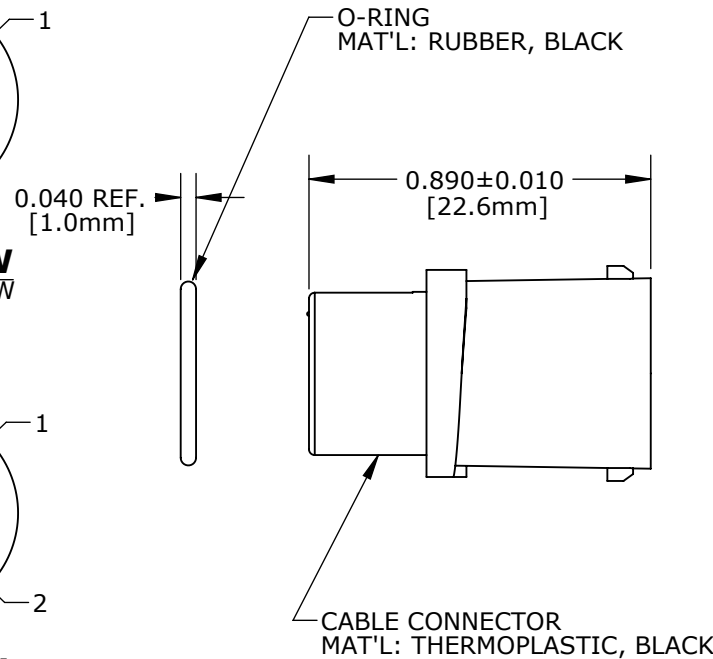
**FACE VIEW**  
6380-3SG-3XXW



**FACE VIEW**  
6380-4SG-3XXW



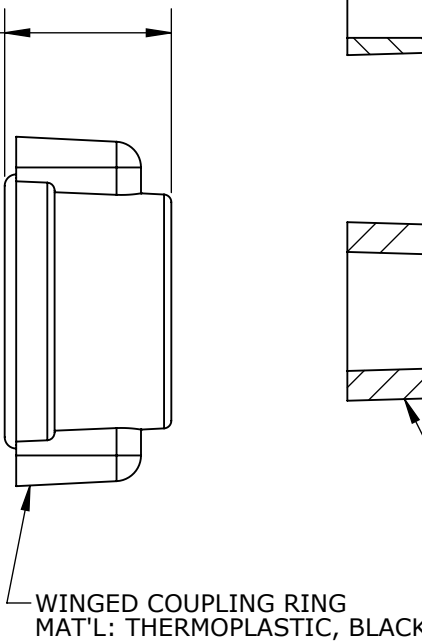
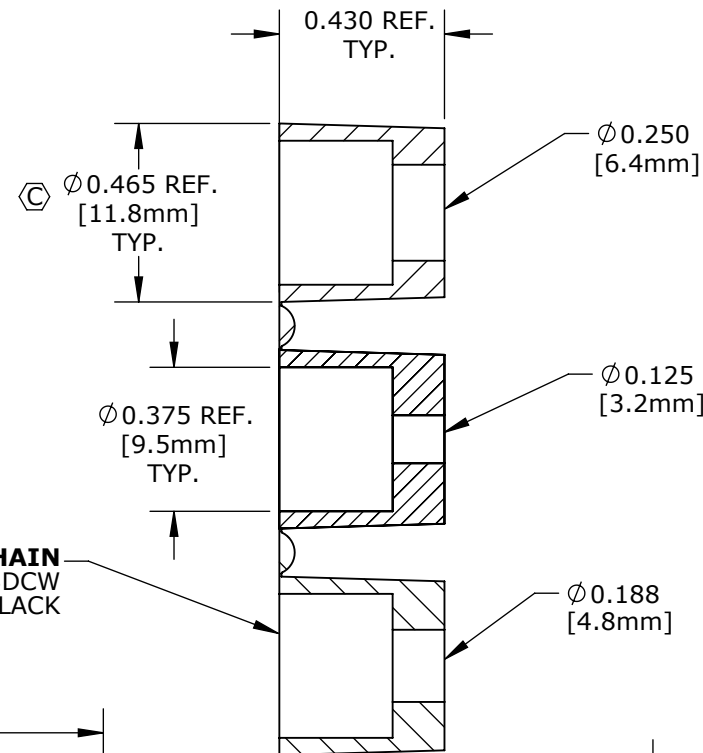
**FACE VIEW**  
6380-5SG-3XXW



**ASSEMBLED VIEW**   
FOR CUSTOMER REFERENCE

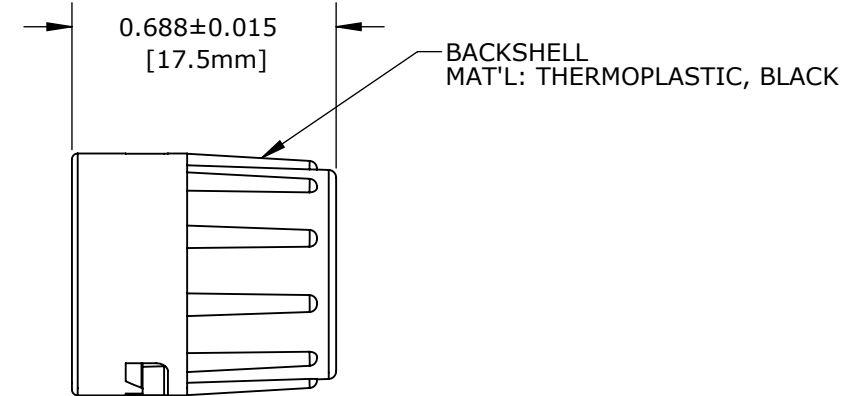
DIMENSIONS IN BRACKETS [ ] ARE METRIC

**GROMMET, DAISY CHAIN**  
FOR 6380-XSG-3DCW  
MAT'L: RUBBER, BLACK



**SINGLE GROMMET**  
MAT'L: SANTOPRENE, BLACK

6380-XSG-311W (.125 I.D. FOR CABLES .09-.14 [2.3-3.5mm] O.D.)  
6380-XSG-315W (.160 I.D. FOR CABLES .15-.17 [3.8-4.3mm] O.D.)  
6380-XSG-318W (.190 I.D. FOR CABLES .18-.20 [4.6-5.1mm] O.D.)  
6380-XSG-321W (.225 I.D. FOR CABLES .21-.23 [5.3-5.8mm] O.D.)



GROMMET SIZE FOR SINGLE GROMMET OR "DC" FOR DAISY CHAIN  
NO. OF CONTACTS

**CUSTOMER APPROVAL**

THIS DOCUMENT CONTAINS CONFIDENTIAL INFORMATION PROPRIETARY TO CONXALL CORPORATION. ANY REPRODUCTION, DISCLOSURE, OR USE OF THIS DOCUMENT / INFORMATION IS EXPRESSLY PROHIBITED UNLESS AUTHORIZED IN WRITING BY CONXALL CORPORATION.

APPROVED BY: \_\_\_\_\_  
DATE: \_\_\_\_\_

**RoHS COMPLIANT**

C	AN	11-04-13	GROMMET O.D. 0.465 WAS .475, COUPLING DIM. 0.434 WAS .442, ADDED MATERIALS AND ASSEMBLED VIEW. PER ECR 8561
B	AN	05-19-10	ADDED TOLERANCES ON INSERT AND BACKSHELL PER DOR 10-E211SL
A	AN	02-23-10	DRAWING CREATED PER DOR 10-E149SL
REV.	INIT.	DATE	DESCRIPTION
	AN	02-15-10	
ALL INFORMATION ILLUSTRATED IS THE PROPERTY OF "CONXALL CORPORATION". UNAUTHORIZED DUPLICATION OR DISTRIBUTION OF THIS DOCUMENT IS PROHIBITED.			 601 E. WILDWOOD VILLA PARK, IL 60181
ALL UNITS ARE IN FEET, INCHES, FRACTION OF INCHES AND DECIMALS.			
APPROVED BY:		TITLE: CABLE CONNECTOR KIT 2-5 #16 SOCKET CONTACTS MINI-CON-X STANDARD PRODUCT	
SCALE	SIZE	SHEET	CUSTOMER:
NTS	B	1 OF 1	STANDARD PRODUCT
FILE:	DIRECTORY:	PART NUMBER:	REV
6380-XSG-3XXW	SLW	6380-XSG-3XXW	c