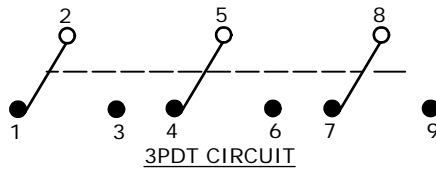
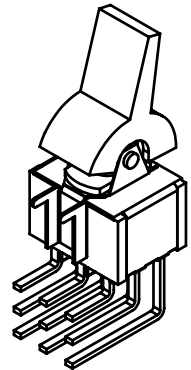
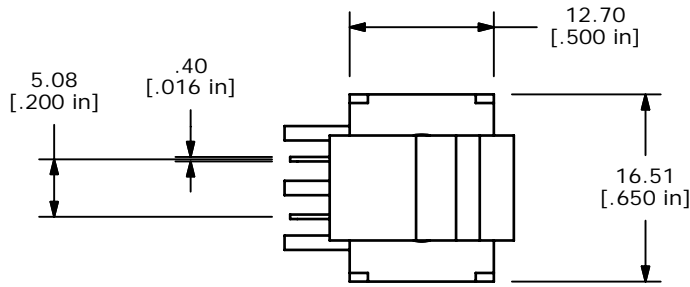


P.C. MOUNTING

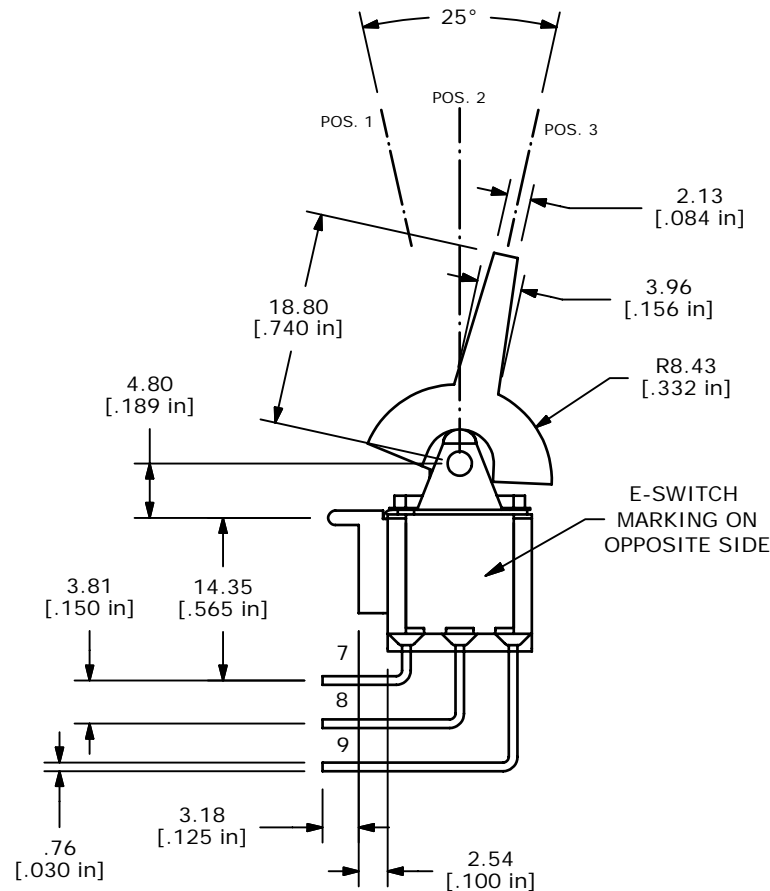
SWITCH FUNCTION		
POS. 1	POS. 2	POS. 3
ON	OFF	(ON)
2-3, 5-6, 8-9	OPEN	2-1, 5-4, 8-7



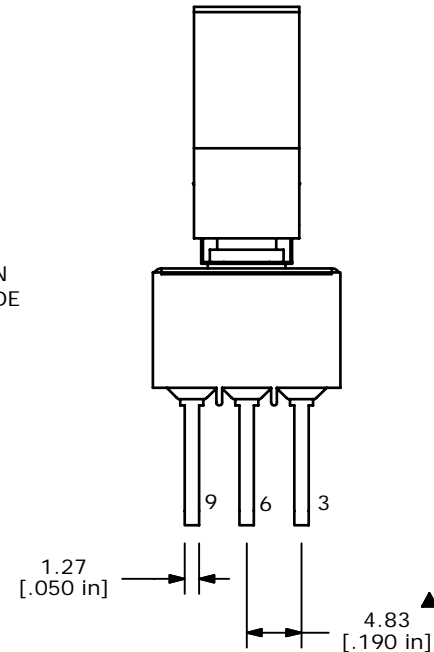
- NOTE:
- ALL DIMENSIONS IN MM [INCH]
  - GENERAL TOLERANCE: X.X=±0.4  
X.XX=±0.25
  - TERMINAL NUMBERS FOR REF ONLY
  - PLATING MATERIAL: SILVER
  - ▲ RATING: 2 AMPS @250VAC  
5 AMPS @120VAC OR 28VDC
  - MECHANICAL LIFE: 40,000 MAKE-AND-BREAK CYCLES AT FULL LOAD.
  - INSULATION RESISTANCE: 1,000 MEGA-OHM MIN.
  - CONTACT RESISTANCE: 100mA
  - DIELECTRIC STRENGTH: 1,000 V RMS @SEA LEVEL.
  - OPERATING TEMP.: -30°C to 85°C
  - ▲ DENOTES CRITICAL PARAMETER.
  - 2002/95/EC (ROHS) COMPLIANT



ISOMETRIC  
SCALE: 1:1



E-SWITCH MARKING ON OPPOSITE SIDE



**E-SWITCH®**

A	17833	RELEASE FOR PRODUCTION	11/09/07	BLR
REV	PCR NO	DESCRIPTION	DATE	BY

TITLE	3003P5R2M7QE			
SCALE	1.5	DATE	11/9/2007	DR
				BLR
DWG	T335004	REV	A	

THE INFORMATION CONTAINED IN THIS DOCUMENT IS PROPRIETARY TO E-SWITCH AND IS NOT TO BE COPIED OR TRANSFERRED