

Business Unit: HCS

PTN/16/007/C+N - US
Product Range: Circular Cable Assemblies

Date: 2017-07-05

Title: Phase Out of M8, M12 and 7/8 Cordsets

Page 1/9



Dear Customer,

We would like to inform you about the phase out of our selected M8, M12 and 7/8 cordsets. Every part number, that has already been phased out, has a direct replacement which is fit, form and function compatible with its discontinued equivalent.

Below is a list of all phased out items and their direct replacements.

Phased Out Part Number	Replacement Part Number	Description
21024144492	21348184489020	M8/M12 Cable Assy. 4-poles st/st f/m 2m
21024144493	21348184489030	M8/M12 Cable Assy. 4-poles st/st f/m 3m
21024144499	21348184489100	M8/M12 Cable Assy. 4-poles st/st f/m 10m
21024545303	21348083388010	M8 Cable Assembly 3-poles an/st f/m 1,0m
21024545304	21348083388015	M8 Cable Assembly 3-poles an/st f/m 1,5m
21024545305	21348083388020	M8 Cable Assembly 3-poles an/st f/m 2,0m
21024545306	21348083388040	M8 Cable Assembly 3-poles an/st f/m 4,0m
21025544302	21348083388030	M8 Cable Assembly 3-poles an/st f/m 3,0m
21025544303	21348300388050	M8 Cable Assembly 3-poles an/- f/- 5,0m
21025544304	21348300388075	M8 Cable Assembly 3-poles an/- f/- 7,5m
21025546306	21348300388150	M8 Cable Assembly 3-poles an/- f/- 15,0m
21025554301	21348300388500	M8 Cable Assembly 3-poles an/- f/- 50,0m
21034152401	21348485491003	M12 Cable Assembly A-cod st/st m/f 0,3m
21034152402	21348485491006	M12 Cable Assembly A-cod st/st m/f 0,6m
21034152403	21348485491010	M12 Cable Assembly A-cod st/st m/f 1,0m
21034152404	21348485491015	M12 Cable Assembly A-cod st/st m/f 1,5m
21034152405	21348485491020	M12 Cable Assembly A-cod st/st m/f 2,0m
21034155401	21348487491003	M12 Cable Assembly A-cod st/an m/f 0,3m
21034155402	21348487491006	M12 Cable Assembly A-cod st/an m/f 0,6m

Phased Out Part Number	Replacement Part Number	Description
21034155403	21348487491010	M12 Cable Assembly A-cod st/an m/f 1,0m
21034155404	21348487491015	M12 Cable Assembly A-cod st/an m/f 1,5m
21034155405	21348487491020	M12 Cable Assembly A-cod st/an m/f 2,0m
21034851401	21349292477010	M12 Cable Assembly D-cod st/st m/m 1,0m
21034851402	21349292477020	M12 Cable Assembly D-cod st/st m/m 2,0m
21034851403	21349292477030	M12 Cable Assembly D-cod st/st m/m 3,0m
21034851405	21349292477050	M12 Cable Assembly D-cod st/st m/m 5,0m
21034851406	21349292477060	M12 Cable Assembly D-cod st/st m/m 6,0m
21034851408	21349292477080	M12 Cable Assembly D-cod st/st m/m 8,0m
21034851409	21349292477090	M12 Cable Assembly D-cod st/st m/m 9,0m
21034851410	21349292477100	M12 Cable Assembly D-cod st/st m/m 10,0m
21034851411	21349292477110	M12 Cable Assembly D-cod st/st m/m 11,0m
21034851412	21349292477120	M12 Cable Assembly D-cod st/st m/m 12,0m
21034851415	21349292477150	M12 Cable Assembly D-cod st/st m/m 15,0m
21034851420	21349292477200	M12 Cable Assembly D-cod st/st m/m 20,0m
21034851425	21349292477250	M12 Cable Assembly D-cod st/st m/m 25,0m
21034851440	21349292477400	M12 Cable Assembly D-cod st/st m/m 40,0m
21034851451	21349292477015	M12 Cable Assembly D-cod st/st m/m 1,5m
21034851452	21349292477003	M12 Cable Assembly D-cod st/st m/m 0,3m
21034851453	21349292477025	M12 Cable Assembly D-cod st/st m/m 2,5m
21034851454	21349292477035	M12 Cable Assembly D-cod st/st m/m 3,5m
21034851456	21349292477065	M12 Cable Assembly D-cod st/st m/m 6,5m
21034851457	21349292477075	M12 Cable Assembly D-cod st/st m/m 7,5m
21034853401	21349494477010	M12 Cable Assembly D-cod an/an m/m 1,0m
21034853403	21349494477030	M12 Cable Assembly D-cod st/st m/m 3,0m
21034853405	21349494477050	M12 Cable Assembly D-cod an/an m/m 5,0m
21034853410	21349494477100	M12 Cable Assembly D-cod an/an m/m 10,0m
21034853415	21349494477150	M12 Cable Assembly D-cod an/an m/m 15,0m
21034853420	21349494477200	M12 Cable Assembly D-cod an/an m/m 20,0m
21034853425	21349494477250	M12 Cable Assembly D-cod an/an m/m 25,0m
21034853457	21349494477075	M12 Cable Assembly D-cod an/an m/m 7,5m
21035154401	21348700491015	M12 Cable Assembly A-cod an/- f/- 1,5m
21035154402	21348700491030	M12 Cable Assembly A-cod ang/- f/- 3,0m
21035154403	21348700491050	M12 Cable Assembly A-cod an/- f/- 5,0m
21035154404	21348700491075	M12 Cable Assembly A-cod an/- f/- 7,5m
21035154405	21348700491100	M12 Cable Assembly A-cod an/- f/- 10,0m
21035215405	21033176405	M12 Cable Assembly A-cod st/- f/- 0,5m
21035215805	21033176805	M12 Cable Assembly A-cod st/- f/- 0,5m
21035851401	21349200477010	M12 Cable Assembly D-cod st/- m/- 1,0m
21035851403	21349200477030	M12 Cable Assembly D-cod st/- m/- 3,0m
21035851405	21349200477050	M12 Cable Assembly D-cod st/- m/- 5,0m
21035851410	21349200477100	M12 Cable Assembly D-cod st/- m/- 10,0m
21035851415	21349200477150	M12 Cable Assembly D-cod st/- m/- 15,0m
21035851420	21349200477200	M12 Cable Assembly D-cod st/- m/- 20,0m
21035851425	21349200477250	M12 Cable Assembly D-cod st/- m/- 25,0m
21035851440	21349200477400	M12 Cable Assembly D-cod st/- m/- 40,0m
21035851451	21349200477015	M12 Cable Assembly D-cod st/- m/- 1,5m
21035851457	21349200477075	M12 Cable Assembly D-cod st/- m/- 7,5m
21035853401	21349400477010	M12 Cable Assembly D-cod an/- m/- 1,0m

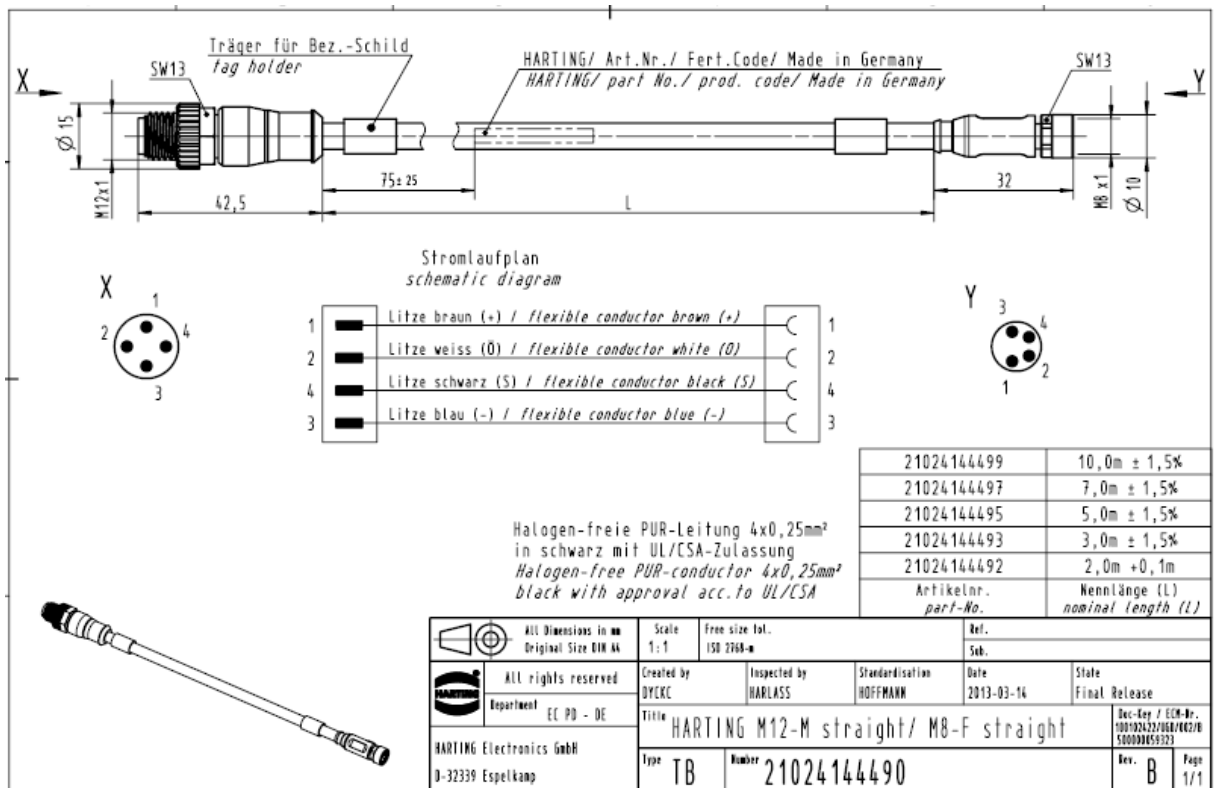
Phased Out Part Number	Replacement Part Number	Description
21035853402	21349400477020	M12 Cable Assembly D-cod an/- m/- 2,0m
21035853403	21349400477030	M12 Cable Assembly D-cod an/- m/- 3,0m
21035853405	21349400477050	M12 Cable Assembly D-cod an/- m/- 5,0m
21035853410	21349400477100	M12 Cable Assembly D-cod an/- m/- 10,0m
21035853420	21349400477200	M12 Cable Assembly D-cod an/- m/- 20,0m
21035853451	21349400477015	M12 Cable Assembly D-cod an/- m/- 1,5m
21043161505	21347400571005	7/8 Cable Assembly 4p+PE st/- m/- 0,5m
21043162505	21043162501	7/8 Cable Assembly 4p+PE st/- f/- 0,5m
21044161503	21349697598010	7/8 Cable Assembly 4p+PE st/st f/m 1,0m
21044163502	21349899598006	7/8 Cable Assembly 4p+PE an/an f/m 0,6m
21044163505	21349899598020	7/8 Cable Assembly 4p+PE an/an f/m 2,0m
21045162501	21349700598015	7/8 Cable Assembly 4p+PE st/- f/- 1,5m
21045162504	21349700598075	7/8 Cable Assembly 4p+PE st/- f/- 7,5m
21045164501	21349900598015	7/8 Cable Assembly 4p+PE an/- f/- 1,5m
21045164504	21349900598075	7/8 Cable Assembly 4p+PE an/- f/- 7,5m
21045164505	21349900598100	7/8 Cable Assembly 4p+PE an/- f/- 10,0m
09478022002	21349492477010	M12 Cable Assembly D-cod an/st m/m 1,0m
09478022003	21349492477015	M12 Cable Assembly D-cod an/st m/m 1.5m
09478022004	21349492477020	M12 Cable Assembly D-cod an/st m/m 2,0m
09478022005	21349492477025	M12 Cable Assembly D-cod an/st m/m 2.5m
09478022007	21349492477050	M12 Cable Assembly D-cod an/st m/m 5.0m
09478022010	21349492477100	M12 Cable Assembly D-cod an/st m/m 10.0m
09478022011	21349492477150	M12 Cable Assembly D-cod an/st m/m 15.0m
09478022012	21349492477200	M12 Cable Assembly D-cod an/st m/m 20.0m
09478022013	21349492477250	M12 Cable Assembly D-cod an/st m/m 25.0m

For the detailed drawings of the old and new cordsets please refer to the appendix section of this product termination document.

In case of questions or concerns, please do not hesitate to contact our technical support.

Technical Support E-mail: TechSupportUS@HARTING.com

Technical Support Phone Number: **866-278-0306** (Select option 3 for technical support).

Appendix: Drawings of the phased out and replacement cordsets
Phased out M12 to M8 Cordsets


Replacement M12 to M8 Cordsets

Connector Location A
Connector Location B

X

Y

Loading-Plan:

1	brown	1
2	white	2
3	blue	3
4	black	4

- Protection level: IP 65/67
- Temperature range: -25°C ... +80°C

4.0 to 100	+1%
0.1 to 3.9	+0.04
a (m)	Tolerance

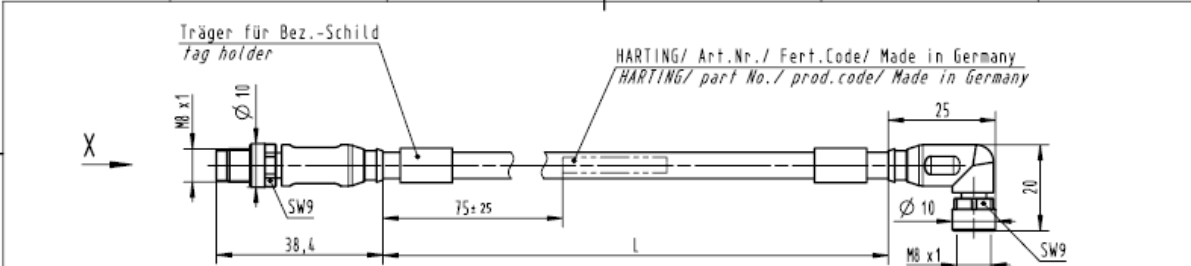
length in "1m" step	100	XXX=000	99	XXX=990	
12	XXX=120	11	XXX=110		
10	XXX=100	9.9	XXX=099		
9.8	XXX=098	length in "0.1m" step	0.4	XXX=004	
0.3	XXX=003	0.2	XXX=002	0.1	XXX=001
Step	a (m)	XXX			

Part no. 213481844XXXXX

Type of cable XX
PUR black, 4x0.25mm² XX=89

	All dimensions in mm.	Task Character:	Free size fit.	According to production drawing 2016-05-26		
All rights reserved		Checked by: HARTING	Inspected by: POPESCO	Standardization: KRMAY	Date: 2016-05-26	Drawn: Free Release
Department: HCS - 80	Title: M12 A-coded Cable Assembly				Inv.-No. / 2D-No.: 213481844XXXXX	
HARTING Customized Solutions	Type: TB	Number: 213481844XXXXX		Rev. C Page 1/1		

Phased out M8 Cordsets



Träger für Bez.-Schild
Tag holder

HARTING/ Art.Nr./ Fert.Code/ Made in Germany
HARTING/ part No./ prod.code/ Made in Germany

M8 x1 Ø 10 38,4 75±25 L 25 Ø 10 M8 x1 SW9

X

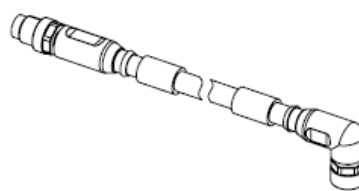
Stromlaufplan
schematic diagram


Y

1	—	Litze braun (+) / flexible conductor brown (+)	1
4	—	Litze schwarz (S) / flexible conductor black (S)	4
3	—	Litze blau (-) / flexible conductor blue (-)	3

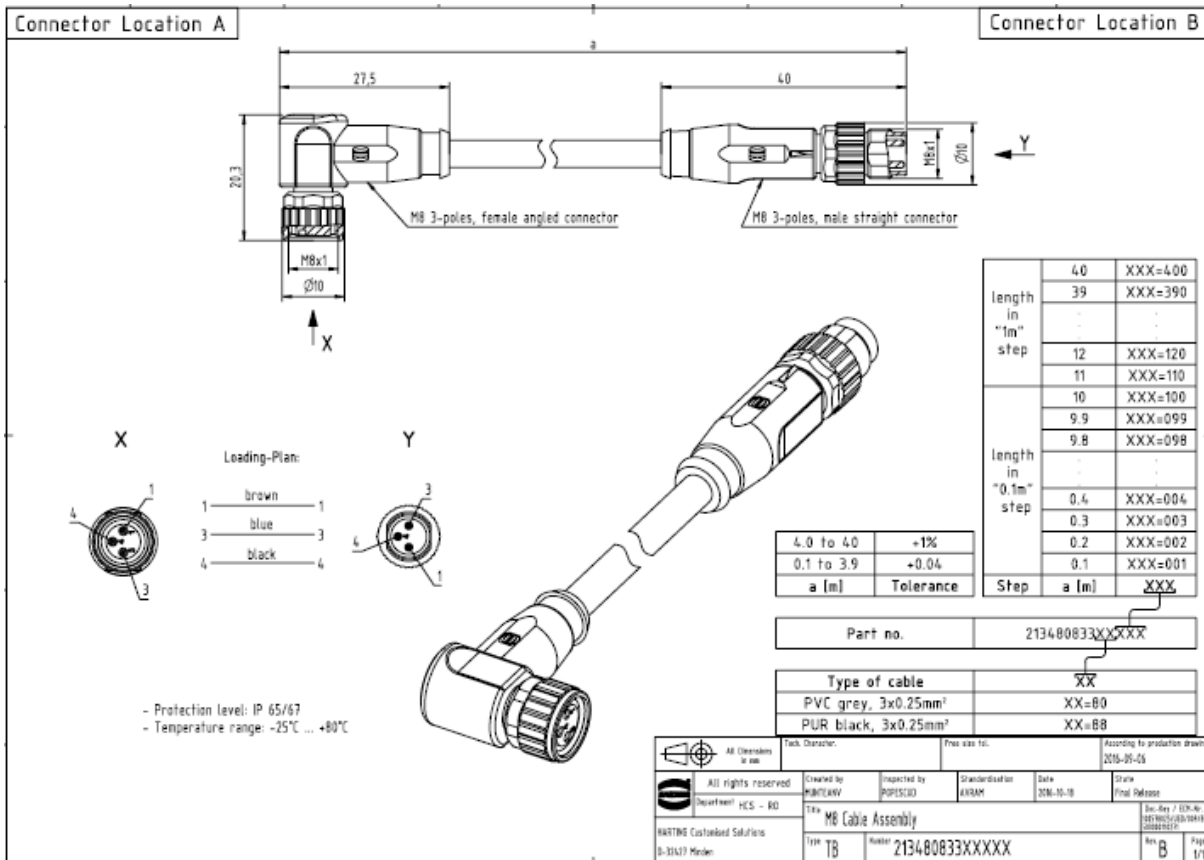
Halogen-freie PUR-Leitung 4x0,34mm²
in schwarz mit UL/CSA-Zulassung
Halogen-free PUR-conductor 4x0,34mm²
black with approval acc.to UL/CSA

21 02 454 5301	0,3m ±0,03m
21 02 454 5302	0,6m ±0,05m
21 02 454 5303	1,0m ±0,1m
21 02 454 5304	1,5m ±0,1m
21 02 454 5305	2,0m ±0,1m
21 02 454 5306	4,0m ±1,5%
Artikelnr. part.No.	Nennlänge (L) nominal length (L)

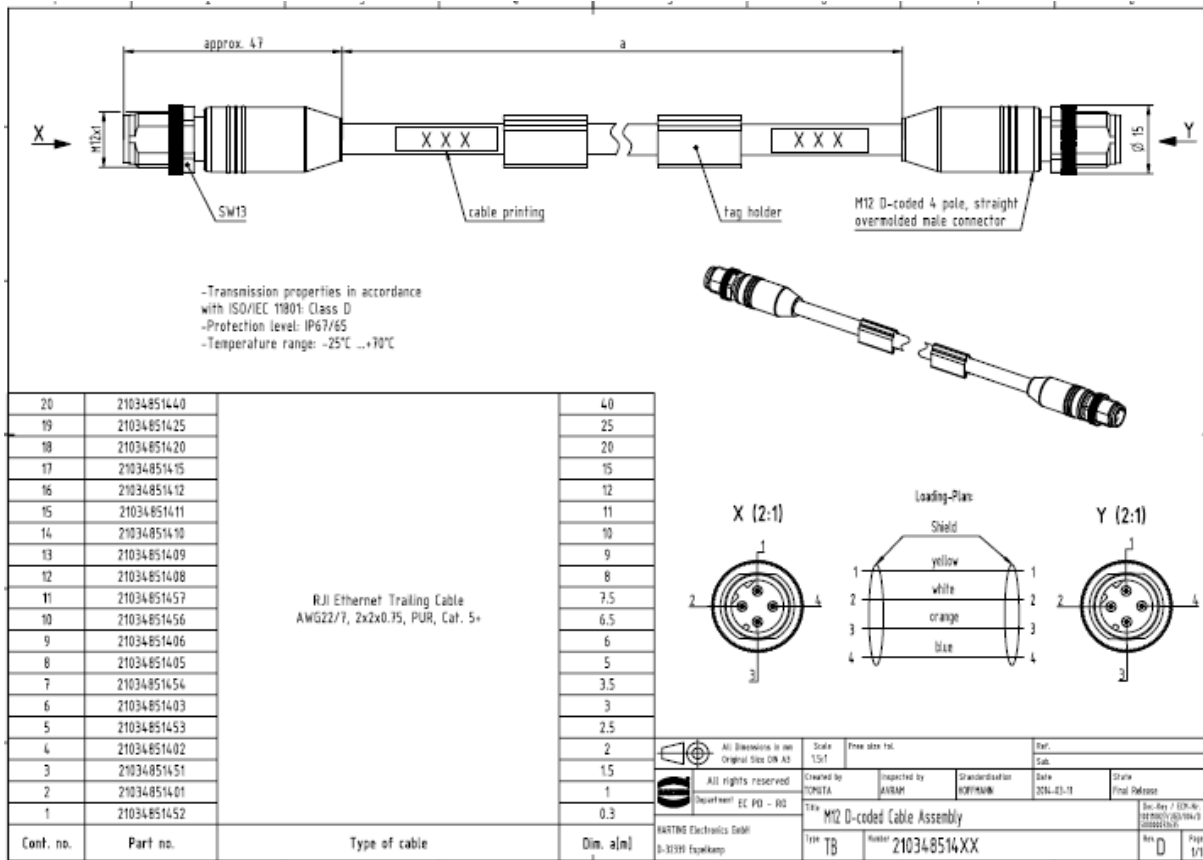


 All dimensions in mm Original Size DIN A4	Scale	Free size tol.		Ref.	
	1:1	ISO 2768-m		Sub.	
All rights reserved Department EC PD - DE	Created by	Inspected by	Standardisation	Date	State
	DYCRC	HARLASS	HOFFMANN	2013-03-16	Final Release
HARTING Electronics GmbH D-32339 Espelkamp	Title HARTING M8-M straight/ M8-F angled				Doc-Key / ECR-Nr. 100093099/000/045/0 50000455323
	Type	Number	21024545300		Rev. B Page 1/1

Replacement M8 Cordsets



Phased out M12 Cordsets



Replacement M12 Cordsets

