

THIS DRAWING CONTAINS INFORMATION THAT IS PROPRIETARY TO MOLEX ELECTRONIC TECHNOLOGIES, LLC AND SHOULD NOT BE USED WITHOUT WRITTEN PERMISSION									
DIMENSION UNITS		SCALE		CURRENT REV DESC:				<b>molex</b>	
mm		6:1							
GENERAL TOLERANCES (UNLESS SPECIFIED)									
ANGULAR TOL $\pm 3.0^\circ$									
4 PLACES $\pm$									
3 PLACES $\pm$									
2 PLACES $\pm 0.2$									
1 PLACE $\pm 0.2$									
0 PLACES $\pm$									
EC NO: 604678				2018/08/29		PRODUCT CUSTOMER DRAWING		DOCUMENT NUMBER	
DRWN: RZHANG				2018/09/25					
CHK'D: AYIN				2018/09/25		2057141001		DOC TYPE DOC PART REVISION	
APPR: AYIN				2018/09/25		PSD		000 A	
INITIAL REVISION:									
DRWN: RZHANG				2018/08/29		SERIES		MATERIAL NUMBER	
APPR: AYIN				2018/09/25		A3-SIZE		205714	
DRAFT WHERE APPLICABLE MUST REMAIN WITHIN DIMENSIONS		THIRD ANGLE PROJECTION		DRAWING		CUSTOMER		SHEET NUMBER	
		A3-SIZE		205714		GENERAL MARKET		1 OF 3	

9 8 7 6 5 4 3 2 1

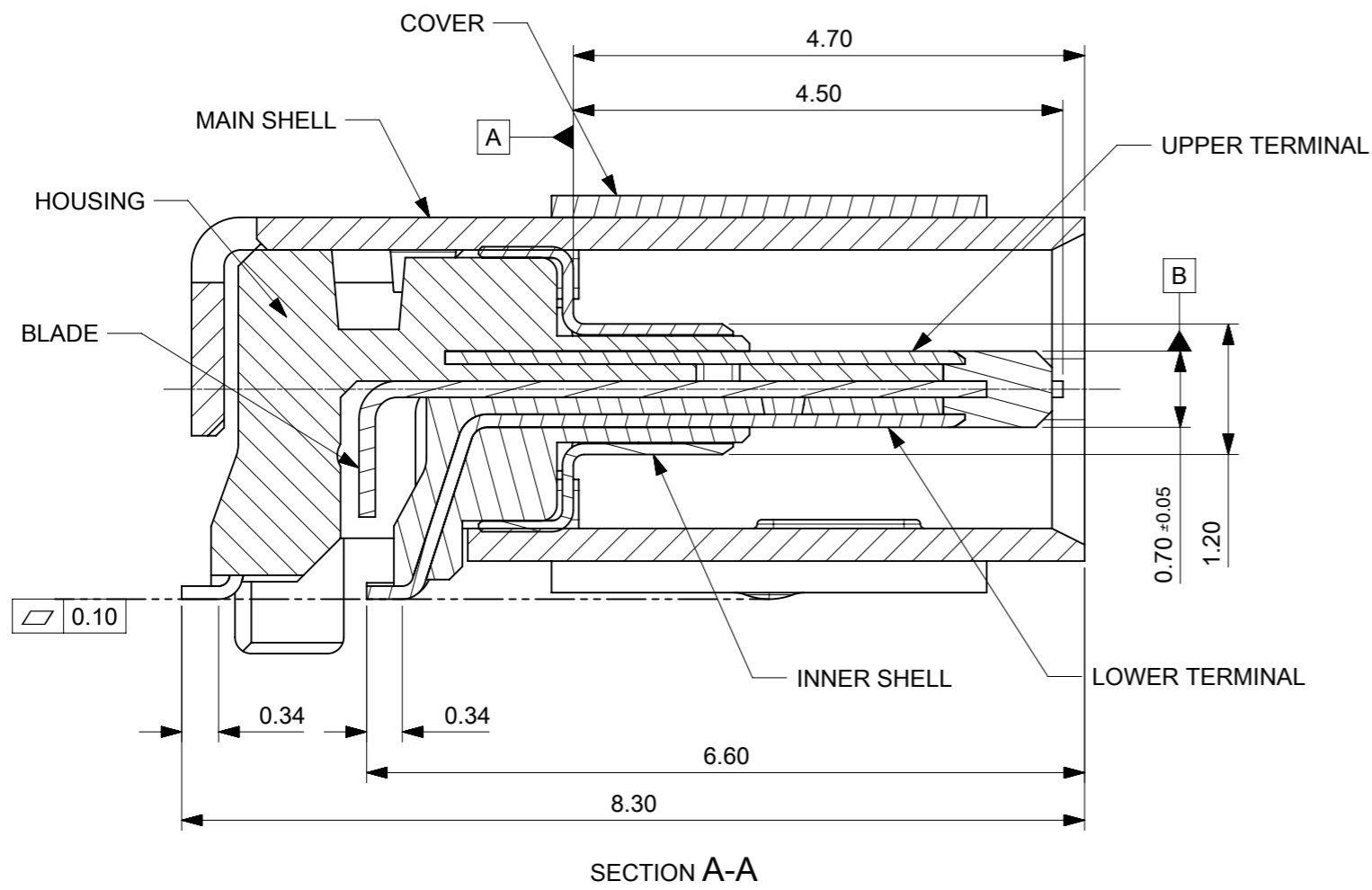
E

D

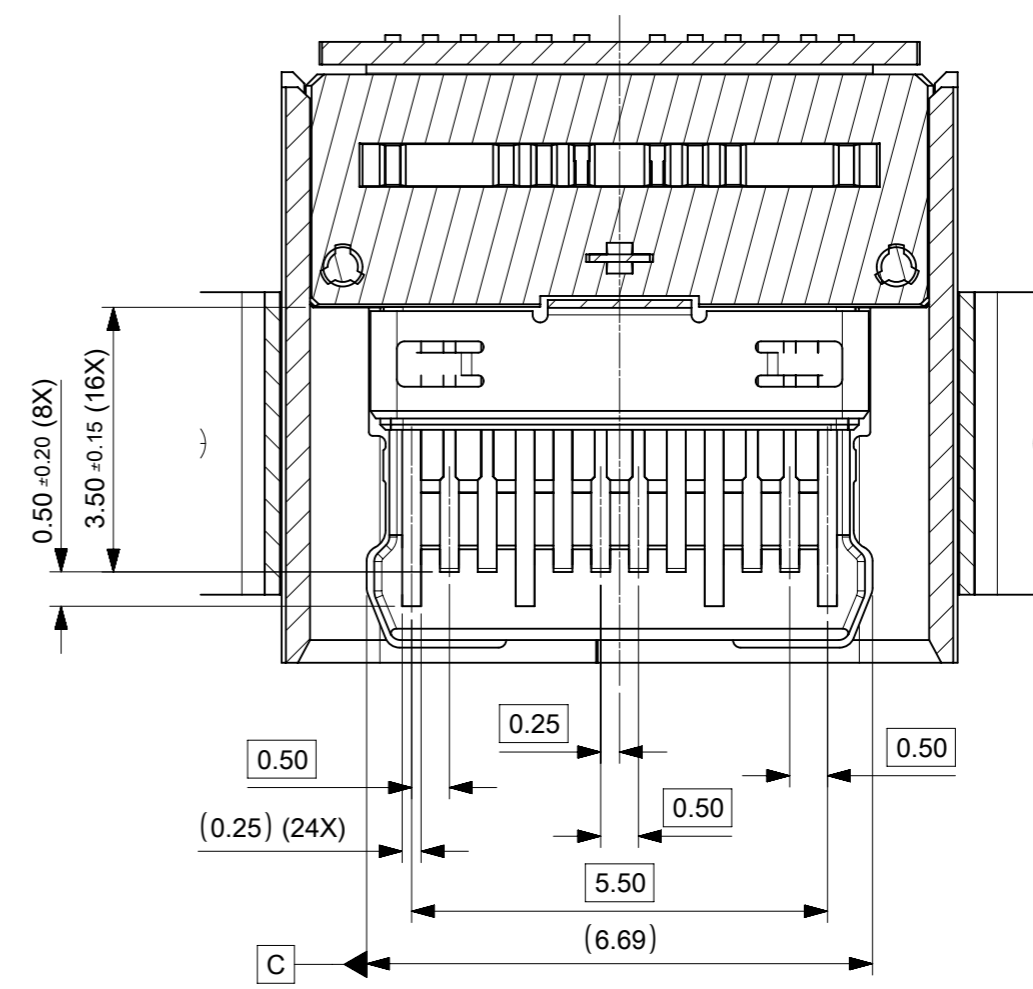
C

B

A



SECTION A-A

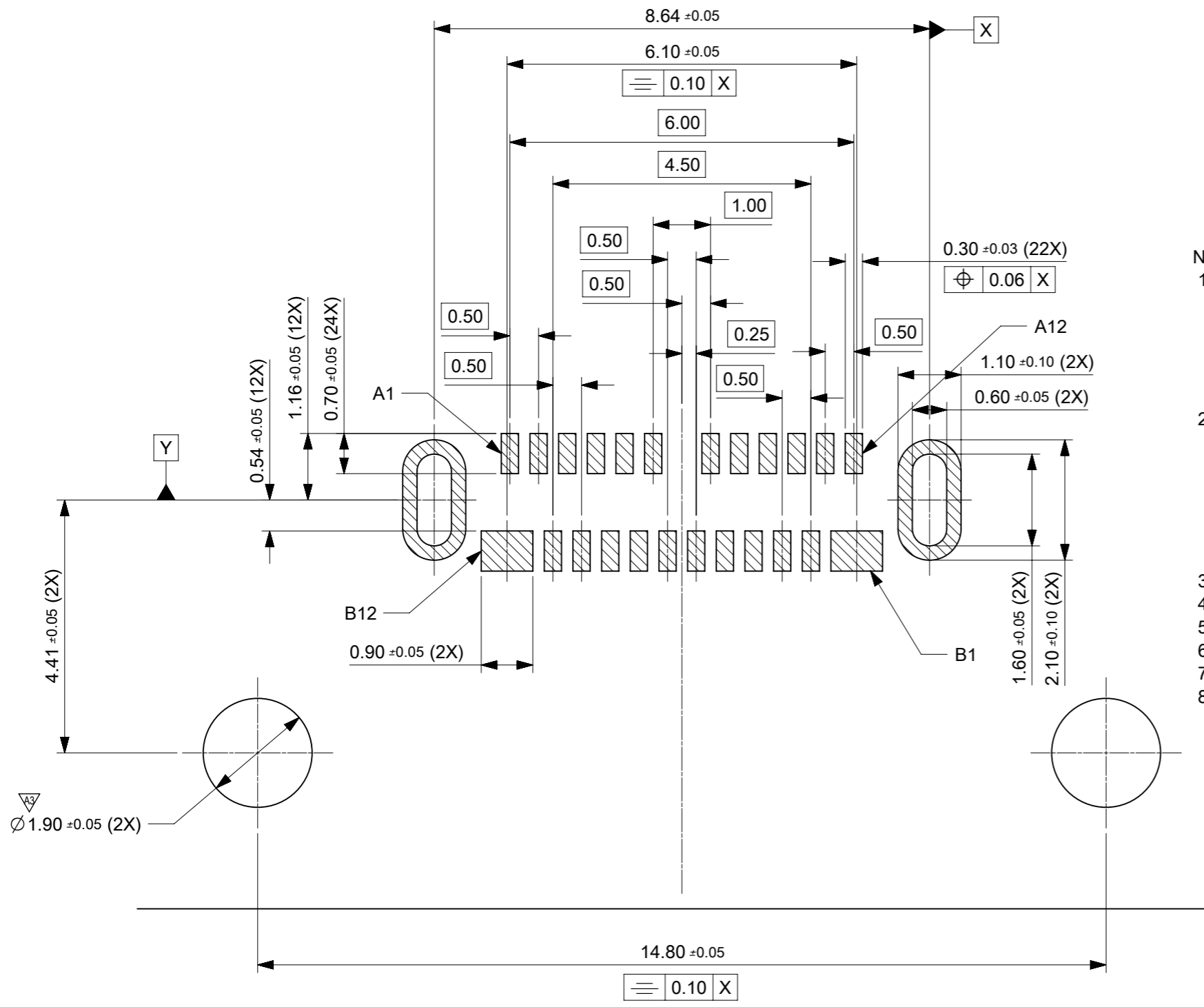


SECTION B-B

THIS DRAWING CONTAINS INFORMATION THAT IS PROPRIETARY TO MOLEX ELECTRONIC TECHNOLOGIES, LLC AND SHOULD NOT BE USED WITHOUT WRITTEN PERMISSION									
DIMENSION UNITS		SCALE		CURRENT REV DESC:				<b>molex</b>	
mm		10:1							
GENERAL TOLERANCES (UNLESS SPECIFIED)				EC NO: 604678				USB TYPE C WITH SCREW HOLE COVER	
ANGULAR TOL ± 3.0°				DRWN: RZHANG 2018/08/29					
4 PLACES ±				CHK'D: AYIN 2018/09/25					
3 PLACES ±				APPR: AYIN 2018/09/25					
2 PLACES ± 0.2				INITIAL REVISION:				DOCUMENT NUMBER	
1 PLACE ± 0.2				DRWN: RZHANG 2018/08/29				2057141001	
0 PLACES ±				APPR: AYIN 2018/09/25				PSD 000 A	
DRAFT WHERE APPLICABLE MUST REMAIN WITHIN DIMENSIONS		THIRD ANGLE PROJECTION		DRAWING		SERIES		MATERIAL NUMBER	
				A3-SIZE		205714		2057141001	
						CUSTOMER		SHEET NUMBER	
						GENERAL MARKET		2 OF 3	

DOCUMENT STATUS	P1	RELEASE DATE	2018/09/25	01:52:54
-----------------	----	--------------	------------	----------

9 8 7 6 5 4 3 2 1



- NOTES:
- MATERIAL,  
HOUSING: HIGH TEMPERATURE THERMAL PLASTIC ,  
30% GLASS FILLED, BLACK, UL94V-0.  
TERMINAL: COPPER ALLOY  
SHELL: STAINLESS STEEL  
MIDDLE BLADE: STAINLESS STEEL
  - PLATING:  
TERMINAL: CONTACT AREA: 0.76 MICROMETER MIN. GOLD PLATING  
SOLDER TAIL: 0.05 MICROMETER MIN. GOLD PLATING  
UNDER PLATING: 2.0 MICROMETER MIN. NICKEL PLATING OVERALL  
SHELL: 1.25 MICRON MIN. SOLDERABLE NICKEL PLATING OVERALL  
MIDDLE BLADE: SOLDER TAIL: 1.25 MICRON MIN. TIN PLATING  
UNDER PLATING: 1 MICRON MIN. NICKEL PLATING OVERALL
  - PRODUCT SPEC REFER TO PS-105448-001
  - COSMETIC SPEC REFER TO PS-45499-002
  - PACKAGE SPEC REFER TO 2057148888
  - COPLANARITY OF SMT PINS SOLDER TAIL IS 0.10 MAX. BEFORE REFLOW AND AFTER REFLOW
  - T/H SOLDER TAIL POSITION BE CONTROLLED BY GAUGE
  - PRODUCT COMPLANT TO ROHS DIERTIVE 2011/65/EU  
AND ELV DIRECTIVE 2000/53/EC

PIN ASSIGNMENT											
A1	A2	A3	A4	A5	A6	A7	A8	A9	A10	A11	A12
GND	TX1+	TX1-	Vbus	CC1	D+	D-	SBU1	Vbus	RX2-	RX2+	GND
GND	RX1+	RX1-	Vbus	SBU2	D-	D+	CC2	Vbus	TX2-	TX2+	GND
B12	B11	B10	B9	B8	B7	B6	B5	B4	B3	B2	B1

RECOMMENDED PCB LAYOUT  
RECOMMENDED STENCIL THICKNESS IS 0.13

THIS DRAWING CONTAINS INFORMATION THAT IS PROPRIETARY TO MOLEX ELECTRONIC TECHNOLOGIES, LLC AND SHOULD NOT BE USED WITHOUT WRITTEN PERMISSION											
DIMENSION UNITS	SCALE	CURRENT REV DESC:									
mm	1:1	 USB TYPE C WITH SCREW HOLE COVER PRODUCT CUSTOMER DRAWING									
GENERAL TOLERANCES (UNLESS SPECIFIED)											
ANGULAR TOL	± 3.0 °										
4 PLACES	±										
3 PLACES	±										
2 PLACES	± 0.2	EC NO: 604678		2018/08/29							
1 PLACE	± 0.2	DRWN: RZHANG		2018/09/25							
0 PLACES	±	CHK'D: AYIN		2018/09/25							
DRAFT WHERE APPLICABLE MUST REMAIN WITHIN DIMENSIONS		THIRD ANGLE PROJECTION	DRAWING	SERIES	MATERIAL NUMBER	CUSTOMER	SHEET NUMBER				
			A3-SIZE	205714	2057141001	GENERAL MARKET	3 OF 3				