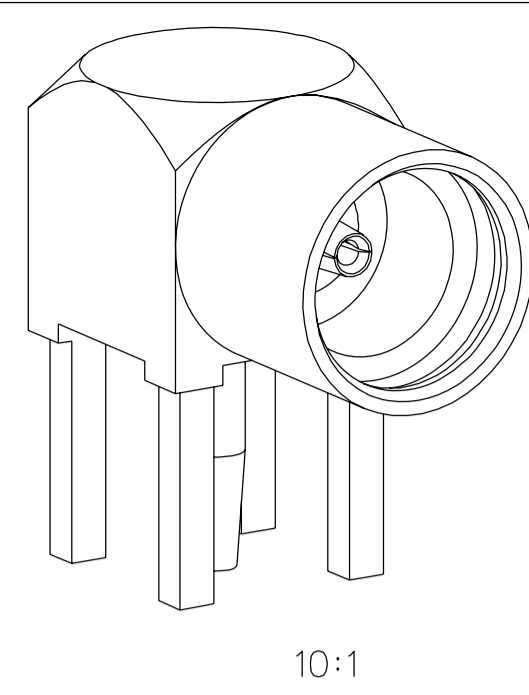
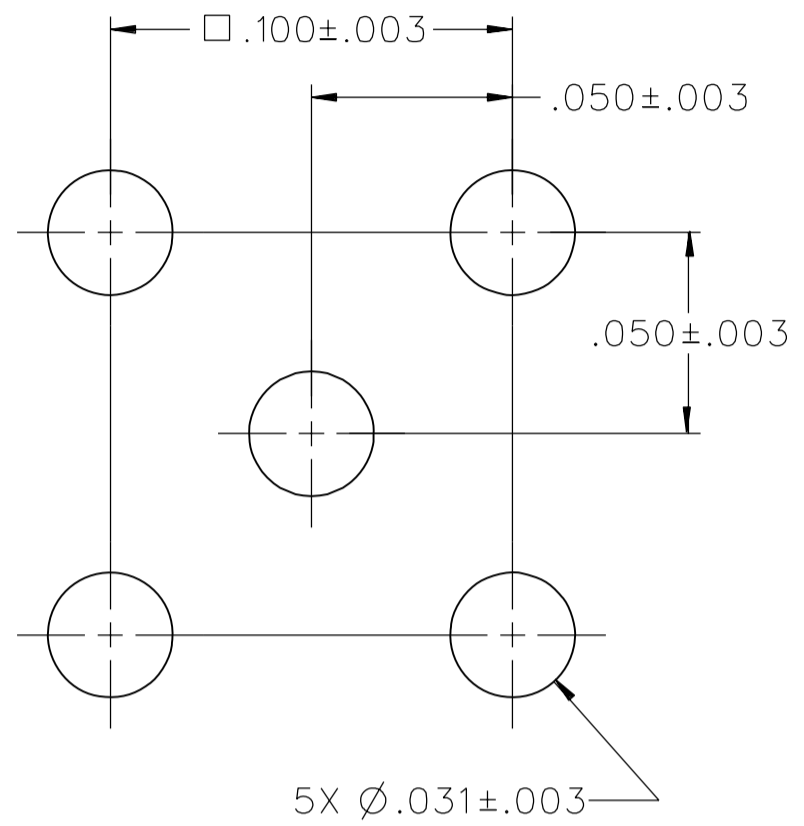


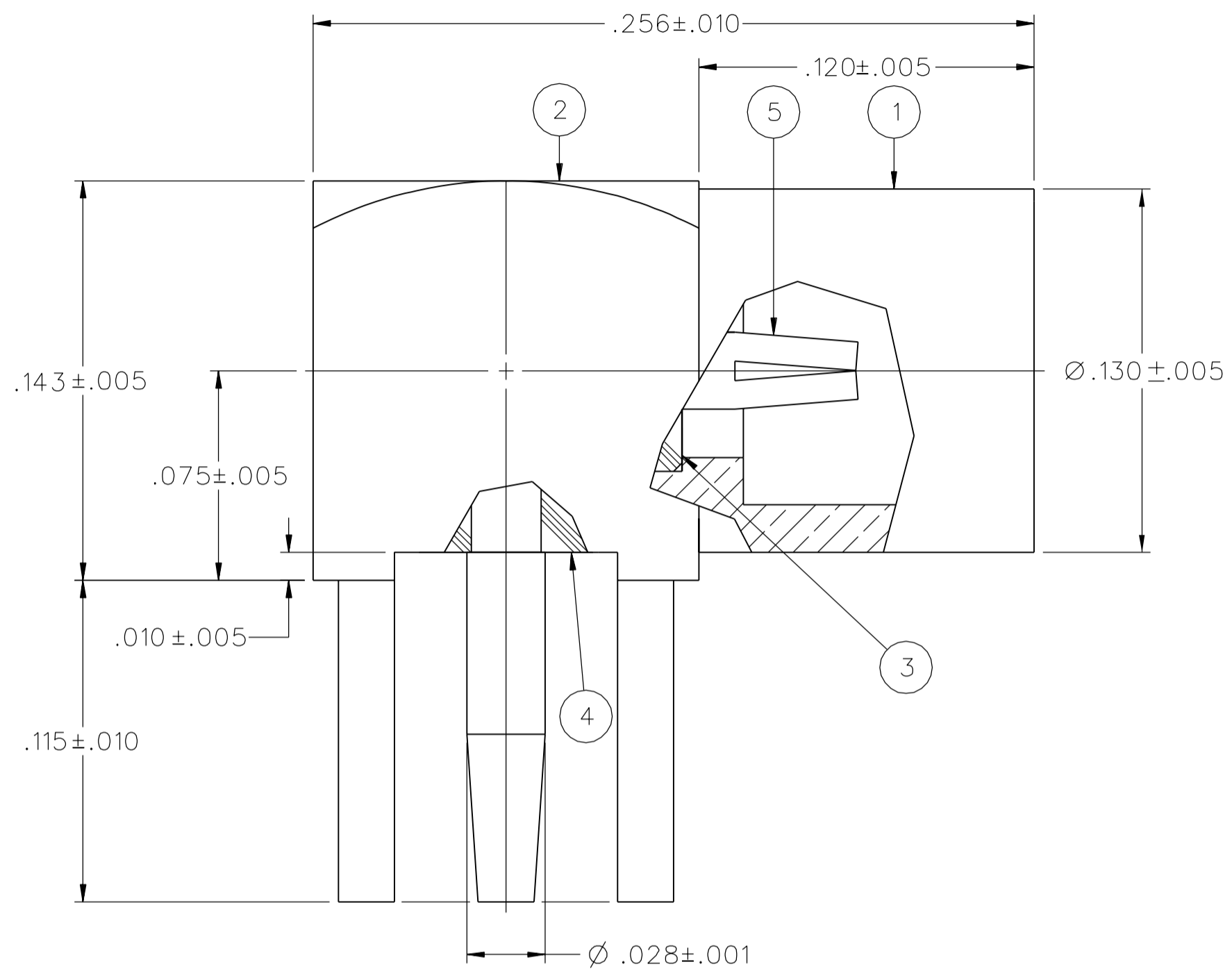
PART NUMBER	ITEM ① BODY	ITEM ② BASE	ITEM ③ INSULATOR	ITEM ④ INSULATOR	ITEM ⑤ CONTACT
135-9701-301	COPPER ALLOY GOLD PL .00005 MIN OVER COPPER PL .00005 MIN	COPPER ALLOY GOLD PL .00005 MIN OVER COPPER PL .00005 MIN	TEFLON	TEFLON	BERYLLIUM COPPER GOLD PL .00005 MIN OVER COPPER PL .00005 MIN



DRAWING NO.		C - 135-9701-301/310	
0		REVISIONS	
ENGINEERING RELEASE			
1	9-6-07	P A T	J A K J S ECN 51228



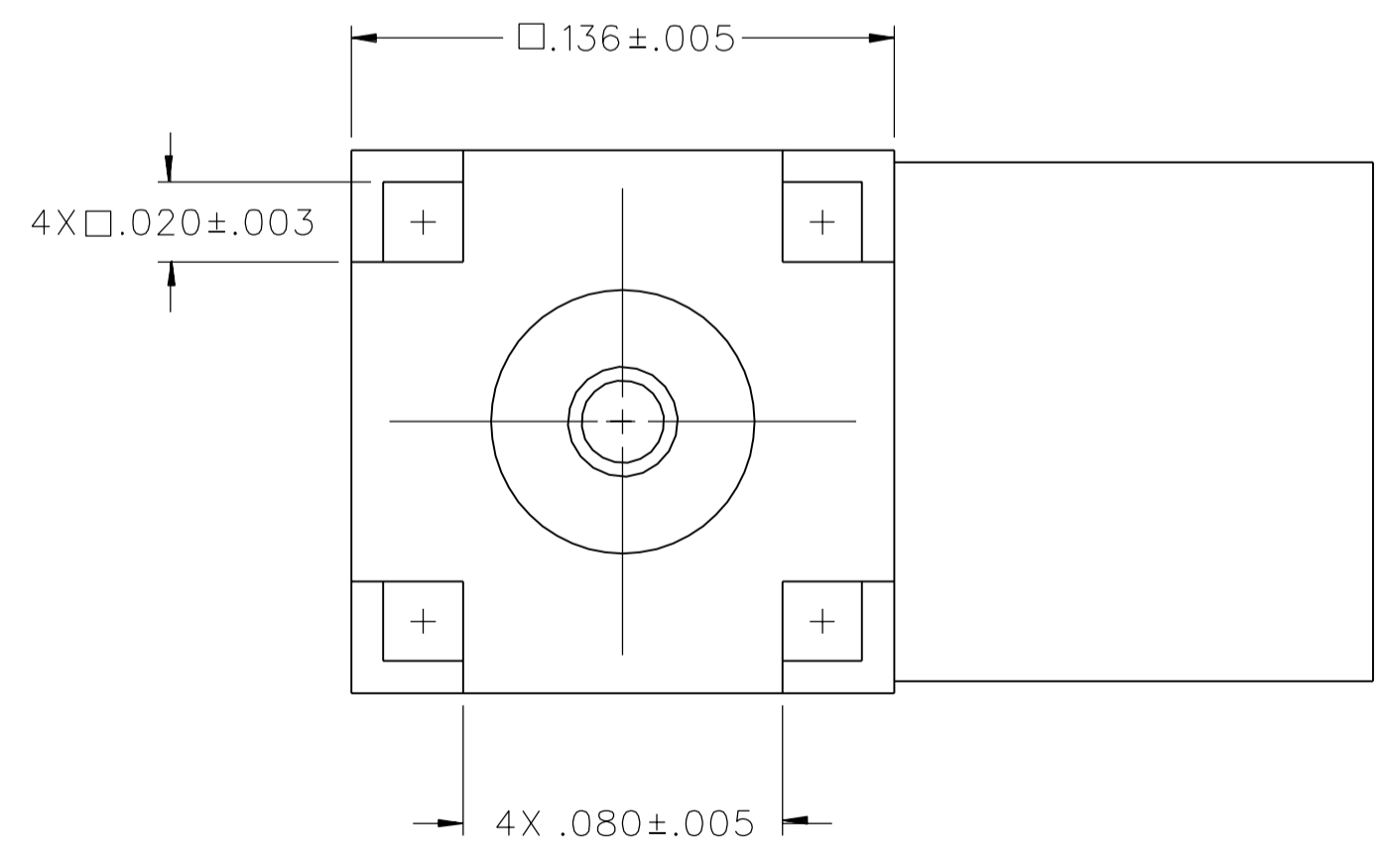
MOUNTING HOLE LAYOUT



10:1

NOTES:

- SPECIFICATIONS:
 - IMPEDANCE: 50 OHMS
 - FREQUENCY RANGE: 0-6 GHz
 - VSWR: NOT APPLICABLE
 - WORKING VOLTAGE: 170 VRMS MAX AT SEA LEVEL
 - DIELECTRIC WITHSTANDING VOLTAGE: 500 VRMS MIN AT SEA LEVEL
 - INSULATION RESISTANCE: 1000 MEGOHM MIN
 - CONTACT RESISTANCE:
 - CENTER CONTACT - INITIAL 5.0 MILLIOHM MAX, AFTER ENVIRONMENTAL 8.0 MILLIOHM MAX
 - OUTER CONDUCTOR - GOLD PLATED INITIAL 1 MILLIOHM MAX, AFTER ENVIRONMENTAL 1.5 MILLIOHM MAX
 - NICKEL PLATED INITIAL 2.5 MILLIOHM MAX, AFTER ENVIRONMENTAL 3.5 MILLIOHM MAX
 - BRAID TO BODY - NOT APPLICABLE
 - CORONA LEVEL: 190 VOLTS MINIMUM AT 70,000 FEET
 - INSERTION LOSS: NOT APPLICABLE
 - RF LEAKAGE: NOT APPLICABLE
 - RF HIGH POTENTIAL WITHSTANDING VOLTAGE: 400 VRMS AT 4 AND 7 MHZ
- MECHANICAL:
 - ENGAGE/DISENGAGE FORCE: 8.0 LBS MAX ENGAGEMENT
1.4 LBS MIN DISENGAGEMENT
 - CONTACT RETENTION FORCE: NOT APPLICABLE
 - CONTACT RETENTION TORQUE: NOT APPLICABLE
 - COUPLING MECHANISM RETENTION: NOT APPLICABLE
 - CABLE ACCEPTABILITY: NOT APPLICABLE
 - CABLE HEX CRIMP SIZE: NOT APPLICABLE
 - CABLE RETENTION: NOT APPLICABLE
 - DURABILITY: 500 CYCLES MIN
- ENVIRONMENTAL:
 - (MEETS OR EXCEEDS THE APPLICABLE PARAGRAPH OF MIL-PRF-39012)
 - THERMAL SHOCK: MIL-STD-202, METHOD 107, CONDITION C EXCEPT -55 DEG C TO 155 DEG C
 - OPERATING TEMPERATURE: -55 DEG C TO 155 DEG C
 - CORROSION: MIL-STD-202, METHOD 101, CONDITION B
 - SHOCK: MIL-STD-202, METHOD 213, CONDITION B
 - VIBRATION: MIL-STD-202, METHOD 204, CONDITION D
 - MOISTURE: MIL-STD-202, METHOD 106



CUSTOMER DRAWING
THIS DRAWING TO BE INTERPRETED PER ASME Y 14.5M - 1994
"μSTATION"
COMPANY CONFIDENTIAL

TOLERANCE UNLESS OTHERWISE SPECIFIED	DRAWN BY JDS	DATE 9-6-07
DECIMALS _____ mm _____	CHECKED BY TAK	DATE 9-14-07
.XX _____	APPROVED BY TJS	DATE 9-14-07
.XXX _____	RELEASE DATE	9-14-07
MATL _____	U/M	INCH
FINISH _____	SCALE	20:1

	
TITLE JACK ASSEMBLY RIGHT ANGLE PC MOUNT NON-MAGNETIC MMCX	
SHEET 2 OF 2	DRAWING NO. C - 135-9701-301/310