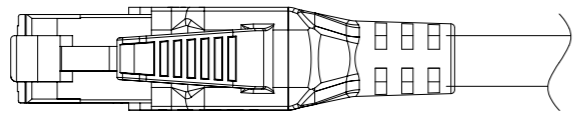
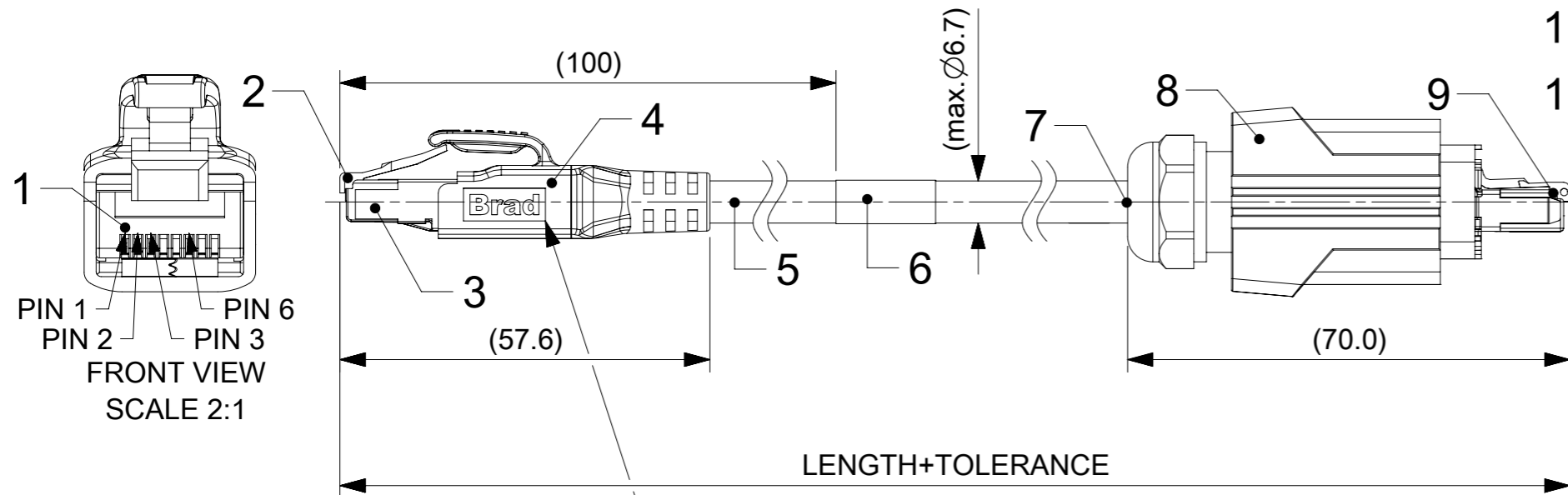
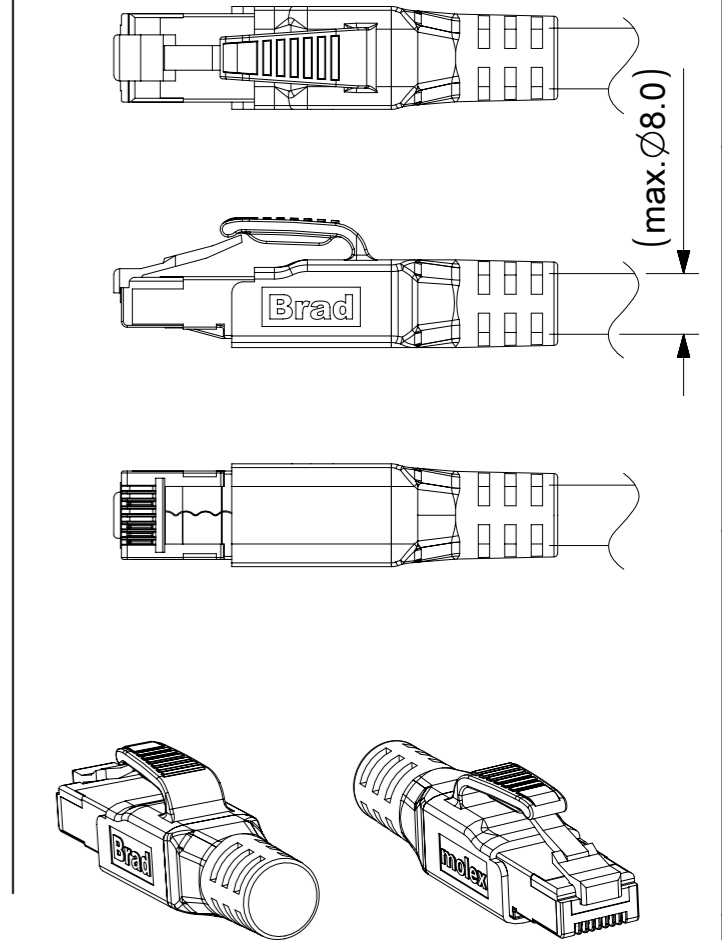


MALE PLUG RJ45 STRAIGHT TO PLUG RJ45 PUSH-PULL STRAIGHT

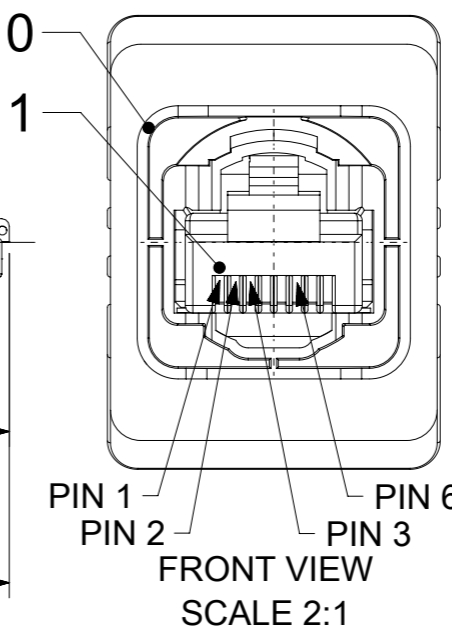
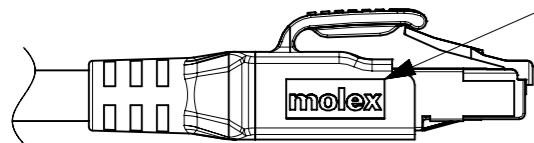
OVERMOLD VIEW FOR CABLES O.D. ≤ 6.7mm



OVERMOLD VIEW FOR CABLES O.D. ≥ 6.7mm



BLACK OVERMOULD
MOLEX LOGO ON ONE SIDE
BRAD LOGO ON OTHER SIDE



WIRING DIAGRAM



NOTES:

- MATERIAL : SEE BOM TABLE
- FINISHES : SEE BOM TABLE
- ELECTRICAL DATA:
MAX. VOLTAGE RATING 30 V
MAX. CURRENT PER CONTACT 1.5 A
- ENVIRONMENTAL:
STATIC OPERATING TEMP. : -25°C to +85°C
INDEX OF PROTECTION : IP20
- FOR MORE INFORMATION SEE PRODUCT SPECIFICATION 1201080202 PS P00

BOM

ITEM	QTY.	DESCRIPTION	MATERIAL	FINISH
11	8	CONTACTS	COPPER ALLOY	GOLD OVER NICKEL
10	1	SEAL	NBR	---
9	1	CONTACT CARRIER	PC	---
8	1	HOUSING	ZINC DIE-CAST	NICKEL
7	1	SEAL CABLE	TPE	---
6	1	LABEL	VINYL	---
5	-	CABLE	SEE SHEET 2	---
4	-	OVERMOULDING BLACK	TPU	---
3	1	SHIELD	BRASS	TIN
2	1	PLUG RJ45 TRANSPARENT	POLYCARBONATE	---
1	4 or 8	CONTACT RJ45 MALE	PHOSPHOR BRONZE	SELECTIVE GOLD

FUNCTIONAL SYMBOLS		THIS DRAWING CONTAINS INFORMATION THAT IS PROPRIETARY TO MOLEX ELECTRONIC TECHNOLOGIES, LLC AND SHOULD NOT BE USED WITHOUT WRITTEN PERMISSION		CURRENT REV DESC:				
▽/A = 0	mm	SCALE	1:1					
▽/E = 0	GENERAL TOLERANCES (UNLESS SPECIFIED)						CSE RJ45 PUSH-PULL RJ45 8P4C MA STR MA	
▽/V = 0	ANGULAR TOL ± 1.0°						PRODUCT CUSTOMER DRAWING	
DIVISIONAL SYMBOLS		4 PLACES ±	EC NO: 672185	2016/10/11			DOCUMENT NUMBER	
		3 PLACES ±	DRWN: JMARSZALEK	2021/09/20			DOC TYPE DOC PART REVISION	
		2 PLACES ± 0.05	CHK'D: RSILLER	2021/09/20			1201080205 PSD 000 A	
		1 PLACE ± 0.3	APPR: RSILLER				SHEET NUMBER	
		0 PLACES ± 0.5	INITIAL REVISION:				1 OF 2	
		DRAFT WHERE APPLICABLE MUST REMAIN WITHIN DIMENSIONS	DRWN: JMARSZALEK	2016/03/08				
			APPR: RSILLER	2021/09/20				
		THIRD ANGLE PROJECTION	DRAWING	SERIES	MATERIAL NUMBER	CUSTOMER		
			A3-SIZE	120108	SEE PART LIST	GENERAL MARKET		

NUMERICAL CODE (Available parts see PART LIST table. Other parts available upon request).

OPTIONS

E 6 7 A 0 6 0 X X M X X X X

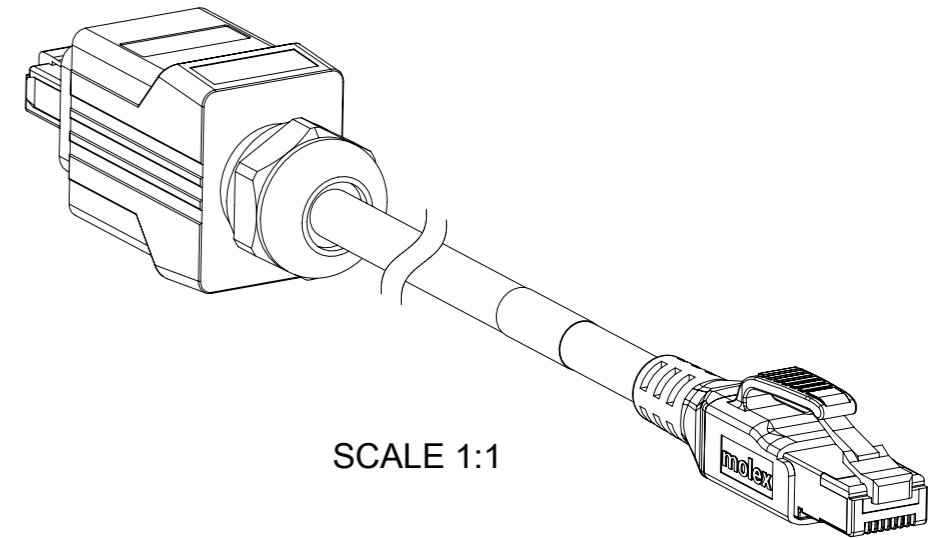
E=Ethernet	Heads: 6=RJ45 7=RJ45 PUSH-PULL	Wiring type	Heads style: 060=MA M12 STR / RJ45 Plug STR	Cable type: See cable table	Units: M=Meter	Length Examples: 005=0.5 units 010=1 units 150=15 units	H= 2 pcs. of I/D Carrier
------------	---	----------------	---	--------------------------------	-------------------	---	-----------------------------

CABLE INFORMATION (for more information see Cable Data Sheet).

CABLE TYPE	CABLE O.D.	APPLICATION	CROSS SECTION	CABLE JACKET	UL	TEMP. RANGE STATIC BENDING RADIUS STATIC	TEMP. RANGE DYNAMIC BENDING RADIUS DYNAMIC	CYCLES	ADDITIONAL INFORMATION
11	6.8mm	PROFINET TYPE C	22AWG	PUR GREEN	STYLE 20549	-40°C to +80°C / min.5xO.D.	-20°C to +70°C / min.7.5xO.D.	up to 5 Mio	-
12	6.7mm	PROFINET TYPE B	22AWG	TPU BASED GREEN	STYLE 21215	-40°C to +80°C / min.5xO.D.	-25°C to +80°C / min.15xO.D.	about 2M, min.15xO.D., -5°C to +60°C	WSOR
16	6.5mm	-	24AWG	TPU BASED TEAL	STYLE 21215	-40°C to +80°C / min.6xO.D.	-20°C to +50°C	1M, min.10xO.D. / 2M min.20xO.D. @20°C	WSOR

PART LIST

No.	MOLEX P/N	ENGINEERING NO.	CABLE LENGTH
1	1201080205	E67A06011M020	2m
2	1201080218	E67A06011M030	3m
3	1201080219	E67A06011M040	4m
4	1201080220	E67A06011M050	5m
5	1201080225	E67A06011M150	15m
6	1201080226	E67A06011M340	34m
7	1201080227	E67A06011M350	35m
8	1201080228	E67A06011M160	16m
9	1201080229	E67A06011M170	17m
10	1201080230	E67A06011M180	18m
11	1201080231	E67A06011M200	20m
12	1201080232	E67A06011M250	25m
13	1201080233	E67A06011M300	30m
14	1201080234	E67A06011M400	40m
15	1201080235	E67A06011M450	45m
16			
17			
18			
19			
20			
21			
22			
23			
24			
25			



CABLE LENGTH TOLERANCES

LENGTH	TOLERANCE
0 m-1 m	+40 mm
>1 m-5 m	+60 mm
>5 m-10 m	+80 mm
>10 m-20 m	+140 mm
>20 m-30 m	+160 mm
>30 m	+1% length

FUNCTIONAL SYMBOLS	THIS DRAWING CONTAINS INFORMATION THAT IS PROPRIETARY TO MOLEX ELECTRONIC TECHNOLOGIES, LLC AND SHOULD NOT BE USED WITHOUT WRITTEN PERMISSION	CURRENT REV DESC:	molex																									
<table border="1"> <tr><td>△/A = 0</td><td>mm</td><td>1:1</td></tr> <tr><td>△/E = 0</td><td colspan="2">GENERAL TOLERANCES (UNLESS SPECIFIED)</td></tr> <tr><td>△/V = 0</td><td colspan="2">ANGULAR TOL ± 1.0°</td></tr> <tr><td></td><td>4 PLACES</td><td>±</td></tr> <tr><td></td><td>3 PLACES</td><td>±</td></tr> <tr><td></td><td>2 PLACES</td><td>± 0.05</td></tr> <tr><td></td><td>1 PLACE</td><td>± 0.3</td></tr> <tr><td></td><td>0 PLACES</td><td>± 0.5</td></tr> </table>	△/A = 0	mm				1:1	△/E = 0	GENERAL TOLERANCES (UNLESS SPECIFIED)		△/V = 0	ANGULAR TOL ± 1.0°			4 PLACES	±		3 PLACES	±		2 PLACES	± 0.05		1 PLACE	± 0.3		0 PLACES	± 0.5	EC NO: 672185 DRWN: JMARSZALEK 2016/10/11 CHK'D: RSILLER 2021/09/20 APPR: RSILLER 2021/09/20
△/A = 0	mm	1:1																										
△/E = 0	GENERAL TOLERANCES (UNLESS SPECIFIED)																											
△/V = 0	ANGULAR TOL ± 1.0°																											
	4 PLACES	±																										
	3 PLACES	±																										
	2 PLACES	± 0.05																										
	1 PLACE	± 0.3																										
	0 PLACES	± 0.5																										
DIVISIONAL SYMBOLS	DRAFT WHERE APPLICABLE MUST REMAIN WITHIN DIMENSIONS THIRD ANGLE PROJECTION DRAWING A3-SIZE SERIES 120108 MATERIAL NUMBER SEE PART LIST CUSTOMER GENERAL MARKET SHEET NUMBER 2 OF 2	INITIAL REVISION: DRWN: JMARSZALEK 2016/03/08 APPR: RSILLER 2021/09/20	PRODUCT CUSTOMER DRAWING DOCUMENT NUMBER 1201080205 DOC TYPE PSD DOC PART 000 REVISION A																									