

TABLE 1

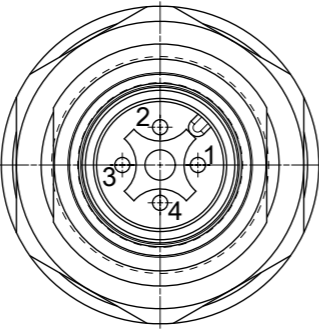
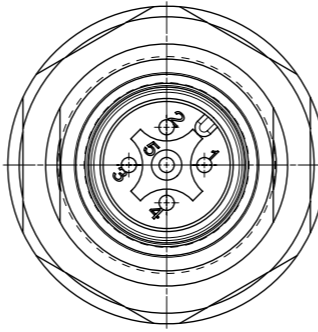
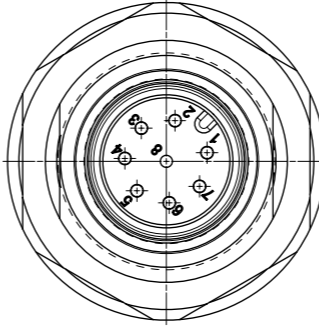
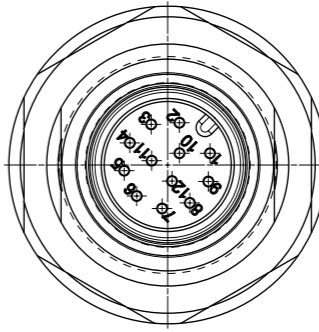
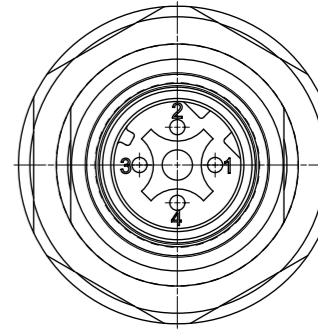
ITEM	QTY	COMPONENT	MATERIAL	FINISH
1	4/5/8/12	CONTACT M12 MALE	BRASS	SELECTIVE GOLD OVER NICKEL
2	-	POTTING MATERIAL	WEVO	-
3	1	INSERT U12 MALE XP BLACK	ULTRAMID	-
4	1	SHELL M12MA/M16MA BM	BRASS	NICKEL PLATED
5	1	NUT M16x1.5	BRASS	NICKEL PLATED
6	1	GASKET BLACK	EPDM	-

THIS DRAWING CONTAINS INFORMATION THAT IS PROPRIETARY TO MOLEX ELECTRONIC TECHNOLOGIES, LLC AND SHOULD NOT BE USED WITHOUT WRITTEN PERMISSION

EC NO: 605089 DRWN: MKOWALCZYK01 CHK'D: MIWASIECZKO APPR: MIWASIECZKO	2018/09/27	2018/09/27	GENERAL TOLERANCES (UNLESS SPECIFIED) ANGULAR TOL ± 1.0 ° 4 PLACES ± 3 PLACES ± 2 PLACES ± 0.05 1 PLACE ± 0.3 0 PLACES ± 0.5 DRAFT WHERE APPLICABLE MUST REMAIN WITHIN DIMENSIONS	DIMENSION UNITS	SCALE				
				mm	2:1				
				DRWN BY	DATE		EJESKE	2015/11/17	
				CHK'D BY	DATE				
		APPR BY	DATE	RSILLER	2015/12/18	PRODUCT CUSTOMER DRAWING			
		DRAWING SIZE	THIRD ANGLE PROJECTION	A3		SERIES	MATERIAL NUMBER	CUSTOMER	
						120084	SEE SHEET 2	GENERAL MARKET	
						DOCUMENT NUMBER	DOC TYPE	DOC PART	SHEET NUMBER
						1200840077	PSD	000	1 OF 2

RELEASE STATUS P1 RELEASE DATE 2018/09/27 14:36:56

TABLE 3

MOLEX PN:	1200845180	1200845181	1200840047	1200845182	1201090036
ENGINEERING NO.:	WR4W460003	WR5W460003	WR8W460003	WRCW460003	
LAYOUT:					
POLES:	4 POLES	5 POLES	8 POLES	12 POLES	4 POLES
VOLTAGE RATING:	250V	60V	30V	30V	250V
CODING	A - Code	A - Code	A - Code	A - Code	D - Code
AMPERE RATING:	4A	4A	2A	1.5A	4A
PROTECTION CLASS:	CONNECTOR INTERFACE: IP 67/69K (IN MATED CONDITION) SHELL TO ENCLOSURE: IP 67/69K (WHEN PROPERLY INSTALLED)				
OPERATING TEMPERATURE:	-25°C / +85°C				
UL CERTIFICATION:	FILE NO. E152210				
CSA CERTIFICATION:	FILE NO. LR6837				

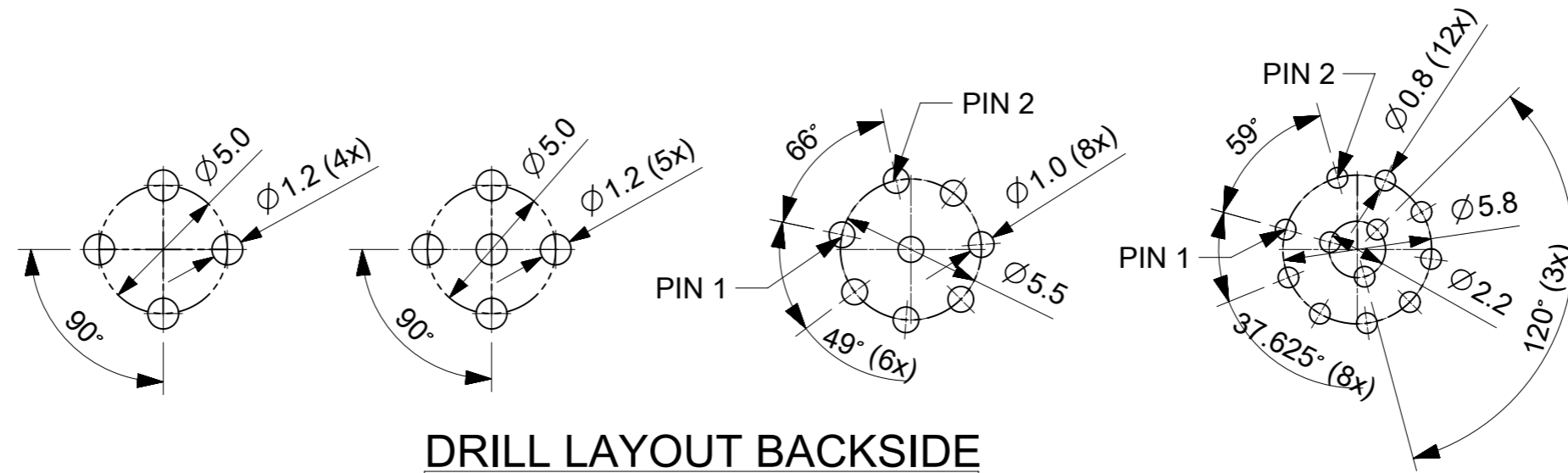



TABLE 2

MOLEX P/N	ENGINEERING NR.	DESCRIPTION
1200845180	WR4W460003	REC U12 4P AC MA M16 BM SOL BRA AU
1200845181	WR5W460003	REC U12 5P AC MA M16 BM SOL BRA AU
1200840047	WR8W460003	REC U12 8P AC MA M16 BM SOL BRA AU
1200845182	WRCW460003	REC U12 12P AC MA M16 BM SOL BRA AU
1201090036	-	REC U12 4P DC MA M16 BM SOL BRA AU

THIS DRAWING CONTAINS INFORMATION THAT IS PROPRIETARY TO MOLEX ELECTRONIC TECHNOLOGIES, LLC AND SHOULD NOT BE USED WITHOUT WRITTEN PERMISSION

EC NO: 605089 DRWN: MKOWALCZYK01 CHK'D: MIWASIECZKO APPR: MIWASIECZKO	2018/09/27	GENERAL TOLERANCES (UNLESS SPECIFIED)	DIMENSION UNITS	SCALE	 REC U12 XP XC MA M16 BM SOL SHD BRA AU
	2018/09/27	ANGULAR TOL ± 1.0 °	mm	2:1	
	2018/09/27	4 PLACES ±	DRWN BY	DATE	
		3 PLACES ±	EJESKE	2015/11/17	
		2 PLACES ± 0.05	CHK'D BY	DATE	PRODUCT CUSTOMER DRAWING SERIES: 120084 MATERIAL NUMBER: SEE TABLE 2 CUSTOMER: GENERAL MARKET
		1 PLACE ± 0.3	APPR BY	DATE	
		0 PLACES ± 0.5	RSILLER	2015/12/18	
		DRAFT WHERE APPLICABLE MUST REMAIN WITHIN DIMENSIONS	DRAWING SIZE	THIRD ANGLE PROJECTION	DOCUMENT NUMBER: 1200840077 DOC TYPE: PSD DOC PART: 000 SHEET NUMBER: 2 OF 2
			A3	