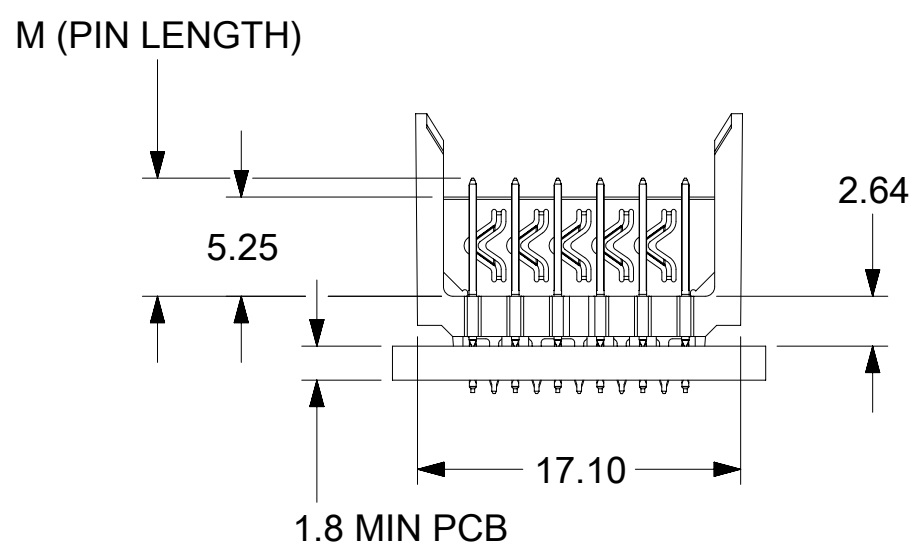
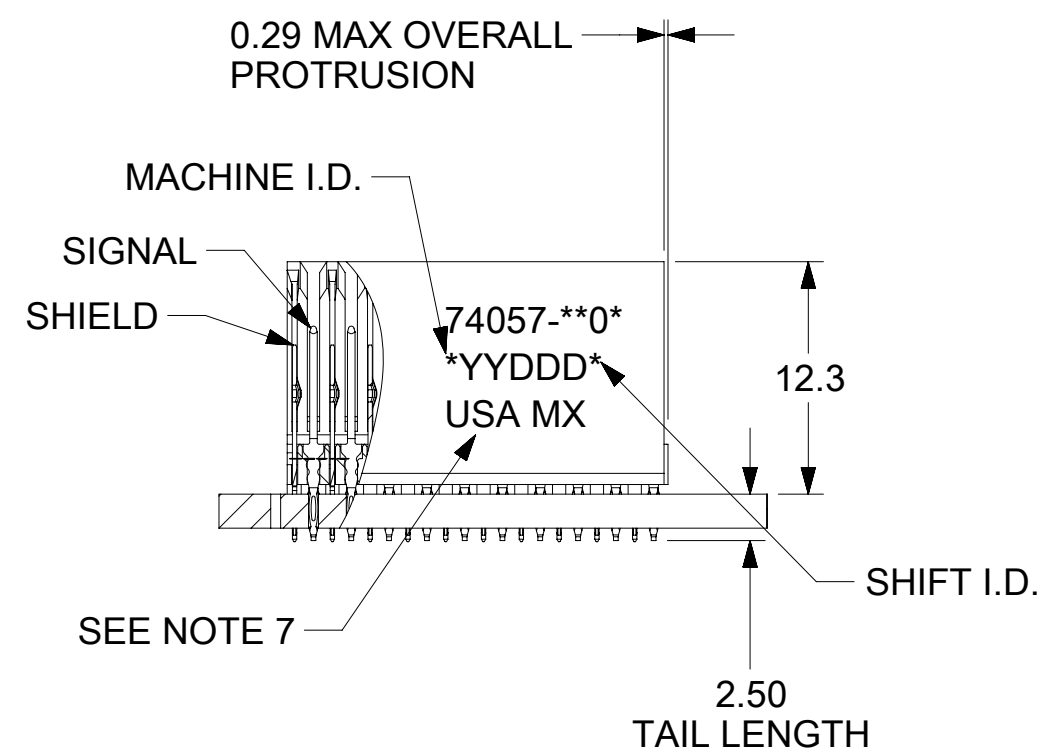
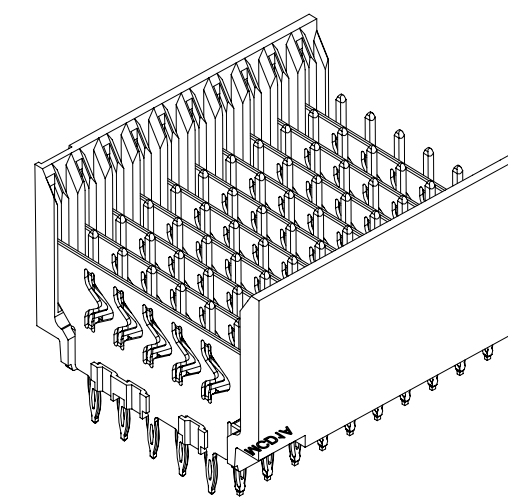


**BLACK PLANE HOLE PATTERN  
RECOMMENDED DIMENSIONS**



**NOTES:**

1. MATERIALS:  
HOUSING - LIQUID CRYSTAL POLYMER (LCP),  
GLASS-FILLED, UL 94V-0, COLOR: BLACK  
SIGNAL PIN & SHIELD - COPPER ALLOY
2. FINISHES:  
CONTACT AREA: SELECTIVE GOLD (Au)  
PCB TAILS: SELECTIVE MATTE TIN (Sn)  
NICKEL (Ni) OVERALL.
3. THIS PART CONFORMS TO MOLEX PRODUCT SPECIFICATION PS-74031-999
4. FOR MIXED CONTACT LENGTHS CONSULT MOLEX FOR AVAILABILITY
5. FOR SPECIFIC MATERIAL NUMBERS & MATING INFORMATION REFER TO SHEET 2
6. PACKAGE PER PK-74057-003
7. EITHER MARK PART WITH PART NUMBER & DATE CODE APPROXIMATELY WHERE SHOWN OR PLACE LABEL ON THE TUBE.
8. MAPS (MOLEX ADVANCED PLATING SYSTEM)

PENDING APPROVAL

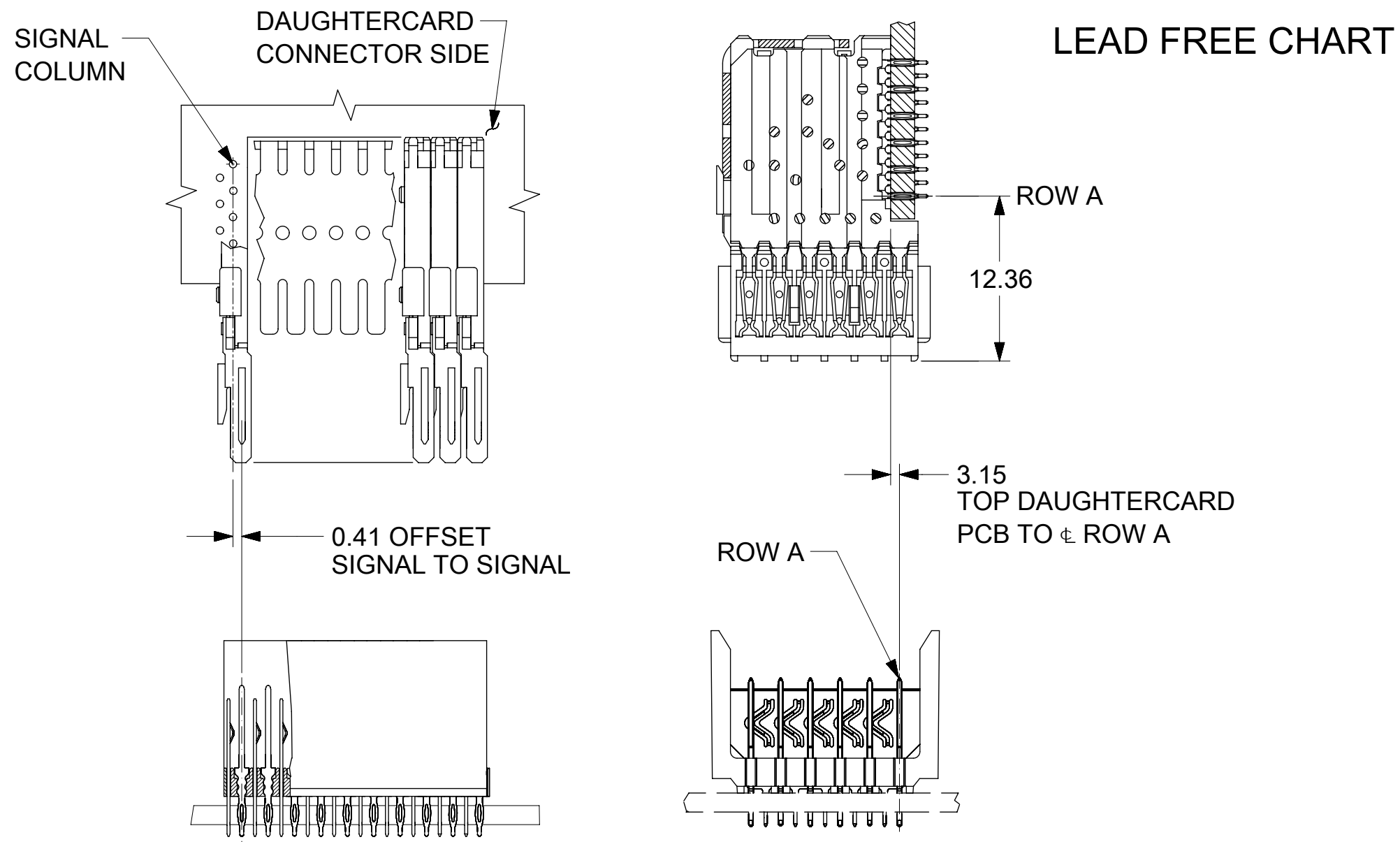
THIS DRAWING CONTAINS INFORMATION THAT IS PROPRIETARY TO MOLEX ELECTRONIC TECHNOLOGIES, LLC AND SHOULD NOT BE USED WITHOUT WRITTEN PERMISSION																																				
DIMENSION UNITS	SCALE		CURRENT REV DESC: SEE REVISION HISTORY ON SHEET 3																																	
mm	2.5:1		<table style="width: 100%; border-collapse: collapse;"> <tr> <td colspan="3" style="text-align: center;"><b>molex</b></td> </tr> <tr> <td colspan="3" style="text-align: center;">VHDM 6 ROW OPEN END BACKPLANE SALES ASSEMBLY</td> </tr> <tr> <td colspan="3" style="text-align: center;">PRODUCT CUSTOMER DRAWING</td> </tr> <tr> <td style="width: 60%;">DOCUMENT NUMBER</td> <td style="width: 10%;">DOC TYPE</td> <td style="width: 10%;">DOC PART</td> <td style="width: 20%;">REVISION</td> </tr> <tr> <td style="text-align: center; font-size: large;">SD-74057-002</td> <td style="text-align: center;">PSD</td> <td style="text-align: center;">001</td> <td style="text-align: center; font-size: large;">N4</td> </tr> <tr> <td style="width: 20%;">MATERIAL NUMBER</td> <td colspan="2" style="width: 40%;">CUSTOMER</td> <td style="width: 40%;">SHEET NUMBER</td> </tr> <tr> <td style="text-align: center;">SEE TABLE</td> <td colspan="2" style="text-align: center;">GENERAL MARKET</td> <td style="text-align: center;">1 OF 3</td> </tr> </table>									<b>molex</b>			VHDM 6 ROW OPEN END BACKPLANE SALES ASSEMBLY			PRODUCT CUSTOMER DRAWING			DOCUMENT NUMBER	DOC TYPE	DOC PART	REVISION	SD-74057-002	PSD	001	N4	MATERIAL NUMBER	CUSTOMER		SHEET NUMBER	SEE TABLE	GENERAL MARKET		1 OF 3
<b>molex</b>																																				
VHDM 6 ROW OPEN END BACKPLANE SALES ASSEMBLY																																				
PRODUCT CUSTOMER DRAWING																																				
DOCUMENT NUMBER	DOC TYPE	DOC PART										REVISION																								
SD-74057-002	PSD	001	N4																																	
MATERIAL NUMBER	CUSTOMER		SHEET NUMBER																																	
SEE TABLE	GENERAL MARKET		1 OF 3																																	
GENERAL TOLERANCES (UNLESS SPECIFIED)																																				
	MM	INCH																																		
4 PLACES	±	±																																		
3 PLACES	±	±																																		
2 PLACES	± 0.25	±																																		
1 PLACE	± 0.38	±																																		
0 PLACES	±	±																																		
ANGULAR TOL	± 0.5 °																																			
DRAFT WHERE APPLICABLE MUST REMAIN WITHIN DIMENSIONS																																				
THIRD ANGLE PROJECTION																																				
DRAWING	SERIES																																			
C-SIZE	74057																																			

DOCUMENT STATUS	RQ	RELEASE DATE								
12	11	10	9	8	7	6	5	4	3	1

PART NUMBER	COLUMN	NUMBER OF SIGNAL PIN	NUMBER OF SHIELD	A	B	M	GOLD THICKNESS MICROMETER	TIN THICKNESS MICROMETER			
74057-6001	10	60	10	20.00	18.00	4.75	0.25 MAPS	0.76-1.52			
74057-9001							0.76				
74057-9006							1.27				
74057-6501	15	90	15	30.00	28.00	0.25 MAPS					
74057-9501						0.76					
74057-9506						1.27					
74057-7001	25	150	25	50.00	48.00	0.25 MAPS					
74057-8506						1.27					
74057-6002						0.25 MAPS					
74057-9002	10	60	10	20.00	18.00	0.76					
74057-9007						1.27					
74057-6502						0.25 MAPS					
74057-9502	15	90	15	30.00	28.00	0.76					
74057-9507						1.27					
74057-7002						0.25 MAPS					
74057-8502	25	150	25	50.00	48.00	0.76					
74057-8507						1.27					
74057-6003						0.25 MAPS					
74057-9003	10	60	10	50.00	48.00	0.76					
74057-9008						1.27					
74057-6503						0.25 MAPS					
74057-9503	15	90	15	30.00	28.00	0.76					
74057-9508						1.27					
74057-7003						0.25 MAPS					
74057-8508	25	150	25	50.00	48.00	1.27					
74057-9009						10	60	10	20.00	18.00	1.27
74057-6504						0.25 MAPS					
74057-9504	15	90	15	30.00	28.00	0.76					
74057-9509						1.27					
74057-8504						0.76					
74057-8509	25	150	25	50.00	48.00	1.27					

PART NUMBER	COLUMN	NUMBER OF SIGNAL PIN	NUMBER OF SHIELD	A	B	M	GOLD THICKNESS MICROMETER	TIN THICKNESS MICROMETER
74057-1006	10	60	10	20.00	18.00	4.75	1.27	0.76-1.52
74057-1501	15	90	15	30.00	28.00		0.76	
74057-1506							1.27	
74057-2506	25	150	25	50.00	48.00	1.27		
74057-1002	10	60	10	20.00	18.00	6.25	0.76	
74057-1502	15	90	15	30.00	28.00		0.76	
74057-1507						1.27		
74057-1008	10	60	10	20.00	18.00	4.25	1.27	
74057-1503	15	90	15	30.00	28.00		0.76	
74057-1508							1.27	
74057-2508	25	150	25	50.00	48.00	1.27		
74057-1004	10	60	10	20.00	18.00	5.15	0.76	
74057-1009	10	60	10	20.00	18.00		1.27	
74057-1504	15	90	15	30.00	28.00		0.76	
74057-1509						1.27		

LEAD FREE  
(FORMERLY TIN/LEAD) CHART



74057 - \* \* 0 \*

- NUMBER OF COLUMNS/PLATING
- 10 = 10 COLUMN MATTE TIN (FORMERLY TIN/LEAD)
  - 15 = 15 COLUMN MATTE TIN (FORMERLY TIN/LEAD)
  - 25 = 25 COLUMN MATTE TIN (FORMERLY TIN/LEAD)
  - 60 = 10 COLUMN MATTE TIN (MAPS)
  - 65 = 15 COLUMN MATTE TIN (MAPS)
  - 70 = 25 COLUMN MATTE TIN (MAPS)
  - 90 = 10 COLUMN MATTE TIN
  - 95 = 15 COLUMN MATTE TIN
  - 85 = 25 COLUMN MATTE TIN
- PIN HEIGHT
- 1 & 6 = 4.75
  - 2 & 7 = 6.25
  - 3 & 8 = 4.25
  - 4 & 9 = 5.15

PENDING APPROVAL

FUNCTIONAL SYMBOLS	THIS DRAWING CONTAINS INFORMATION THAT IS PROPRIETARY TO MOLEX ELECTRONIC TECHNOLOGIES, LLC AND SHOULD NOT BE USED WITHOUT WRITTEN PERMISSION			
	DIMENSION UNITS	SCALE	CURRENT REV DESC: SEE REVISION HISTORY ON SHEET 3	
$F_A = 0$	mm	2.5:1		
$F_C = 0$	GENERAL TOLERANCES (UNLESS SPECIFIED)			
$F_P = 0$		MM	INCH	
	4 PLACES	±	±	
DIVISIONAL SYMBOLS	3 PLACES	±	±	
	2 PLACES	± 0.25	±	
	1 PLACE	± 0.38	±	
	0 PLACES	±	±	
	ANGULAR TOL	± 0.5°		
DRAFT WHERE APPLICABLE MUST REMAIN WITHIN DIMENSIONS		THIRD ANGLE PROJECTION		DRAWING SERIES
		C-SIZE		74057
DOCUMENT STATUS		RELEASE DATE		
RQ				

molex

VHDM 6 ROW  
OPEN END BACKPLANE SALES ASSEMBLY

PRODUCT CUSTOMER DRAWING


DOCUMENT NUMBER	DOC TYPE	DOC PART	REVISION
SD-74057-002	PSD	001	N4

MATERIAL NUMBER	CUSTOMER	SHEET NUMBER
SEE TABLE	GENERAL MARKET	2 OF 3

H  
G  
F  
E  
D  
C  
B  
A

DATE	REV	DESCRIPTION
2022/06/22	N3	DRAWING MIGRATED TO NEW SHEET FORMAT REMOVED OBSOLETE PART NUMBER AS PER PCN#509989
2022/07/14	N4	DRAWING MIGRATION AS MODEL IN THE DRAWING VIEW IS UPDATED

PENDING APPROVAL

FUNCTIONAL SYMBOLS FA = 0 FC = 0 FP = 0	THIS DRAWING CONTAINS INFORMATION THAT IS PROPRIETARY TO MOLEX ELECTRONIC TECHNOLOGIES, LLC AND SHOULD NOT BE USED WITHOUT WRITTEN PERMISSION		CURRENT REV DESC: SEE REVISION HISTORY ON SHEET 3		 VHDM 6 ROW OPEN END BACKPLANE SALES ASSEMBLY PRODUCT CUSTOMER DRAWING
	DIMENSION UNITS <b>mm</b>	SCALE <b>1:1</b>	GENERAL TOLERANCES (UNLESS SPECIFIED)		
DIVISIONAL SYMBOLS	4 PLACES	MM	INCH	EC NO: 719836	2022/07/14 DRWN: KRISHH1 CHK'D: APPR: INITIAL REVISION: DRWN: DRAWN BY APPR: APPR BY 0099/99/99 0099/99/99
	3 PLACES	±	±	DOCUMENT NUMBER	
	2 PLACES	± 0.25	±	SD-74057-002	
	1 PLACE	± 0.38	±	DOC TYPE	
	0 PLACES	±	±	PSD	
ANGULAR TOL	± 0.5 °	THIRD ANGLE PROJECTION		DOC PART	
DRAFT WHERE APPLICABLE MUST REMAIN WITHIN DIMENSIONS	THIRD ANGLE PROJECTION		DRAWING	SERIES	REVISION
			C-SIZE	74057	N4
			SEE TABLE	GENERAL MARKET	3 OF 3

DOCUMENT STATUS	RQ	RELEASE DATE
12	11	10