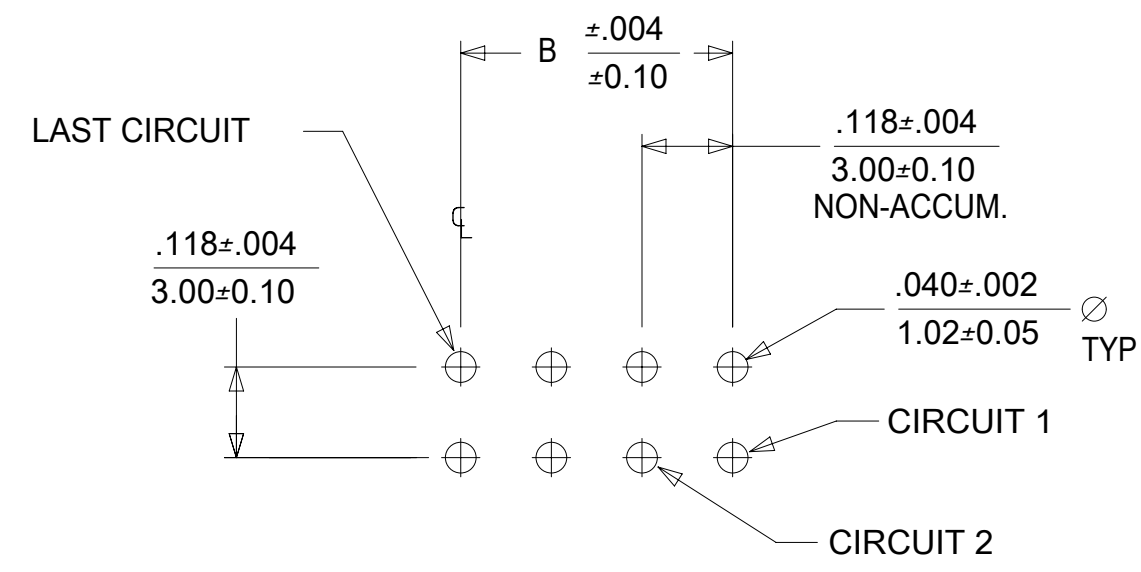
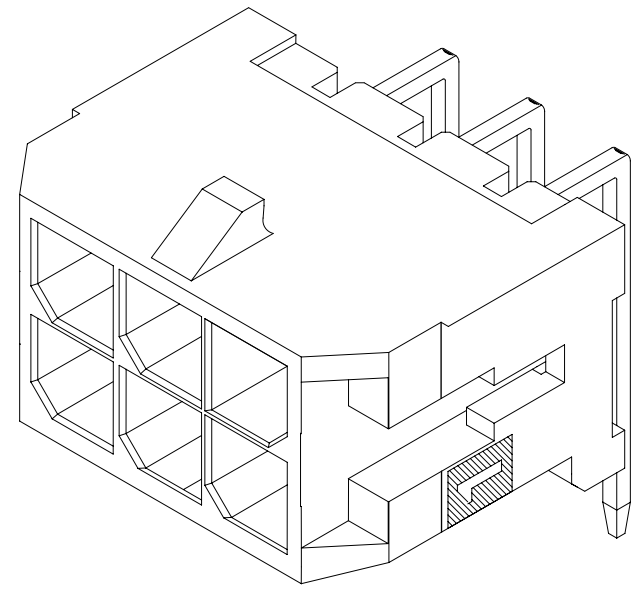
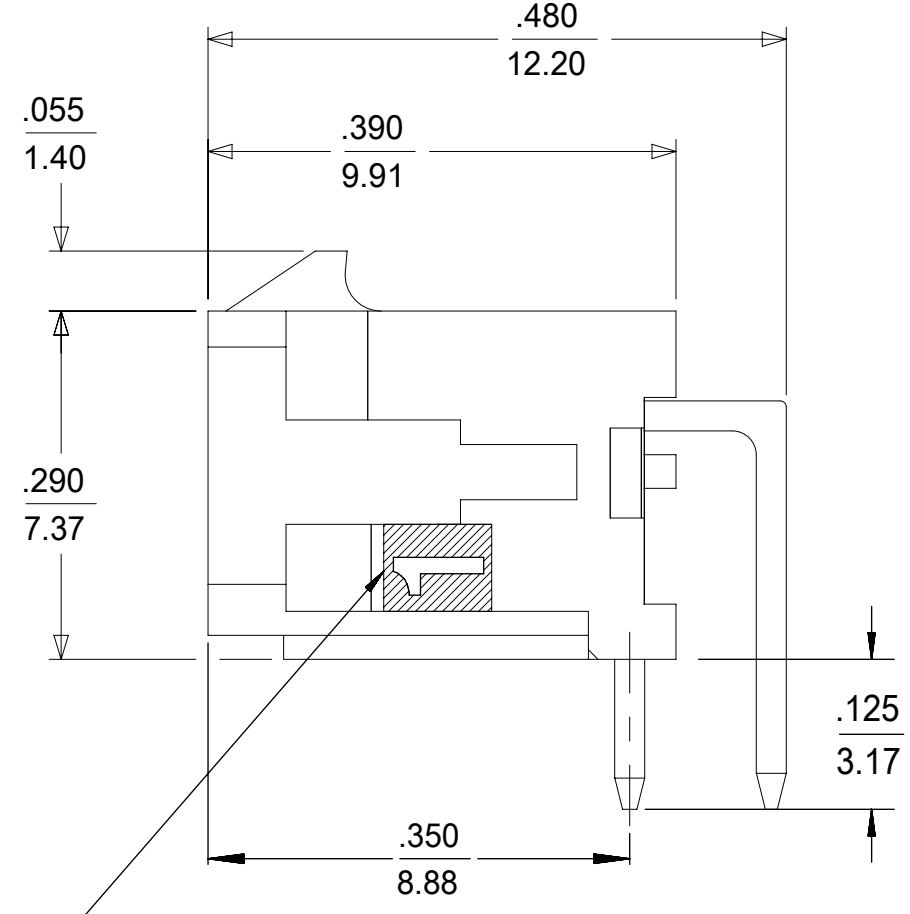
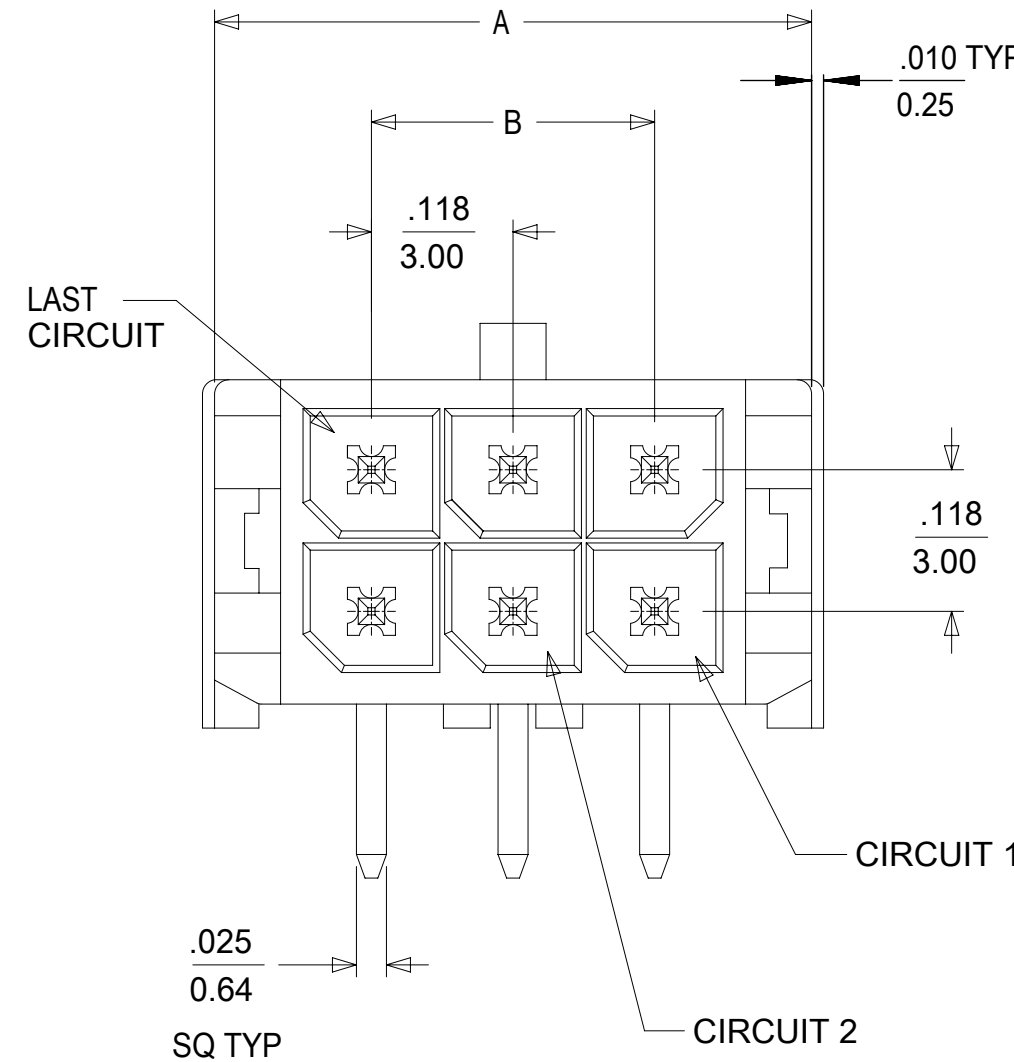


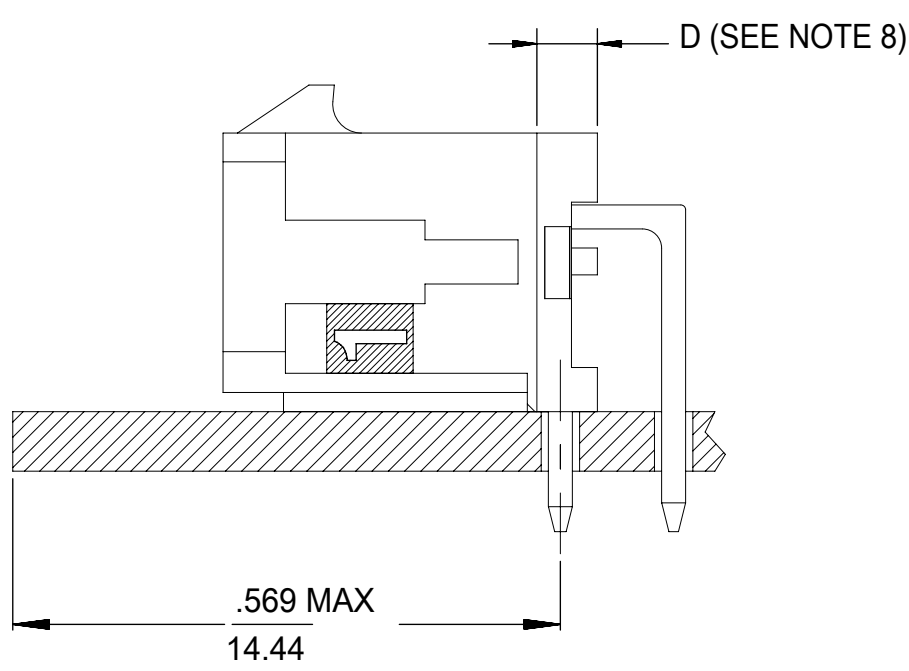
D (SEE NOTE 8)



PCB LAYOUT: COMPONENT SIDE
RECOMMEND PCB THICKNESS: .062/1.57



CIRCUIT "1" IDENTIFIED ON THIS SURFACE
(APPROX. LOCATION SHOWN FOR REF.)



LOCATION DETAIL
SEE NOTE #6

NOTES:

- HOUSING MATERIAL: GLASS FILLED LIQUID CRYSTAL POLYMER, UL94V-0, COLOR: BLACK
TERMINAL MATERIAL: BRASS ALLOY
- FINISH:
A = .000030/(0.00076) MIN. SELECT GOLD IN CONTACT AREA;
.000100/(0.00254) MIN. SELECT MATTE TIN ON SOLDER TAILS;
BOTH OVER .000050/(0.00127) MIN. NICKEL PLATE.
B = .000100/(0.00254) MIN. MATTE TIN OVER
.000050/(0.00127) MIN. NICKEL PLATE.
- PRODUCT SPECIFICATION: PS-43045
- PACKAGING SPECIFICATION: TAPE AND REEL PACKED PER 430450007-PK
- MATES WITH MICRO FIT (3.0) RECEPTACLE SERIES 43025
- TO AVOID INTERFERENCE BETWEEN RECEPTACLE AND PCB, HEADER MUST BE PLACED WITHIN .569/(14.44) MAX. FROM EDGE OF PCB, AS SHOWN IN LOCATION DETAIL.
- THIS PART CONFORMS TO CLASS B REQUIREMENTS OF COSMETIC SPECIFICATION PS-45499-002.
- CIRCUIT SIZES 2-6: "D" IS .265/6.74 FOR .010/0.25 STEP
CIRCUIT SIZES 8-24: "D" IS .063/1.60 FOR .010/0.25 STEP.
- TEXT ON PART IS FOR REFERENCE ONLY. TEXT AND TEXT LOCATION MAY VARY DEPENDING ON PART NUMBER AND/OR TOOL.

THIS DRAWING CONTAINS INFORMATION THAT IS PROPRIETARY TO MOLEX ELECTRONIC TECHNOLOGIES, LLC AND SHOULD NOT BE USED WITHOUT WRITTEN PERMISSION									
SYMBOLS		DIMENSION UNITS		SCALE		CURRENT REV DESC: MICROFIT PK SPEC			
= 0		IN/MM		NTS		REF			
= 0		GENERAL TOLERANCES (UNLESS SPECIFIED)				EC NO: 611607			
= 0						DRWN: SALHAMY 2018/12/28			
= 0		4 PLACES ±		±		CHK'D: SSOUSEK 2019/08/09			
= 0		3 PLACES ±		± 0.01		APPR: FSMITH 2019/08/15			
= 0		2 PLACES ±		0.25 ± 0.014		INITIAL REVISION:			
= 0		1 PLACE ±		0.36 ±		DRWN: SSOUSEK 2010/05/19			
= 0		0 PLACES ±		±		APPR: FSMITH 2016/08/23			
= 0		ANGULAR TOL ± 0.5 °				THIRD ANGLE PROJECTION			
= 0		DRAFT WHERE APPLICABLE MUST REMAIN WITHIN DIMENSIONS				DRAWING		SERIES	
= 0						C-SIZE		43045	

molex

MICRO-FIT(3.0) RIGHT ANGLE THRUHOLE TAPE
DUAL ROW HEADER - TAPE & REEL

PRODUCT CUSTOMER DRAWING

DOCUMENT NUMBER	DOC TYPE	DOC PART	REVISION
SD-43045-031	PSD	001	B2

MATERIAL NUMBER	CUSTOMER	SHEET NUMBER
SEE CHART	GENERAL MARKET	1 OF 1

CKTS	A	B
02	.262 6.65	NA
04	.380 9.65	.118 3.00
06	.498 12.65	.236 6.00
08	.616 15.65	.354 9.00
10	.734 18.65	.472 12.00
12	.852 21.65	.591 15.00
14	.970 24.65	.709 18.00
16	1.088 27.65	.827 21.00
18	1.206 30.65	.945 24.00
20	1.325 33.65	1.063 27.00
22	1.443 36.65	1.181 30.00
24	1.561 39.65	1.299 33.00

CKTS	FINISH A MATERIAL NO:	FINISH B MATERIAL NO:
02		
04	43045-0488	43045-0519
06	43045-0688	43045-0719
08	43045-0888	43045-0919
10	43045-1088	43045-1119
12	43045-1288	43045-1319
14	43045-1488	43045-1519
16	43045-1688	43045-1719
18	43045-1888	43045-1919
20		
22		
24		

DOCUMENT STATUS	P1	RELEASE DATE	2019/08/15 16:29:04
-----------------	----	--------------	---------------------