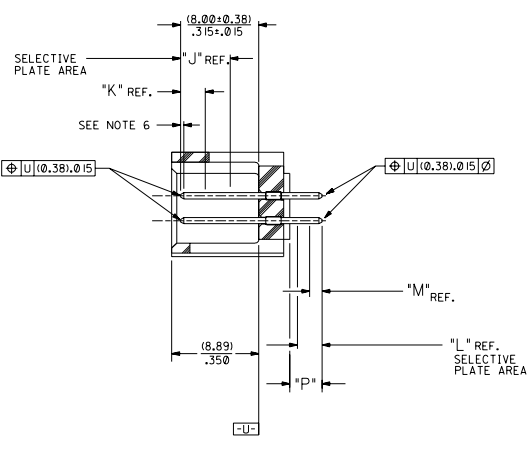


RECOMMENDED P.C. BOARD HOLE LAYOUT



SECTION J-J

NOTES:

- 1- 20 CIRCUIT SIZE SHOWN FOR ILLUSTRATION PURPOSES.
- 2- PIN PUSHOUT FORCE: (17.79 N)/4 LBS.
- 3- PINS MUST MEET SOLDERABILITY SPEC. MIL-STD-202 METHOD 208B.
- 4- WINDOW NOT AVAILABLE ON 6 AND 8 CIRCUIT SIZE.
- 5- FOR CHARTED DIMENSIONS AND ASSEMBLY NO.S NOT SHOWN ON THIS SHEET - SEE SHEET 2.
- 6- ROW TO ROW PIN HEIGHT VARIATION MUST NOT EXCEED (0.13)/.005 IN.
- 7- PRODUCT CONFORMS TO PS-8723.

MATERIAL:

SHROUDED WAFER: GLASS FILLED POLYESTER, 94V-0; COLOR: BLACK.
PINS: PHOSPHOR BRONZE,
SEE SHEET 2 FOR FINISHES.

ASSEMBLY STYLE "A" AND "B"

CKT.	DIM. "A"		DIM. "B"		DIM. "C"		DIM. "D"		DIM. "E"	
	INCH	MILL	INCH	MILL	INCH	MILL	INCH	MILL	INCH	MILL
06	(1.68) .066	(8.43) .332	(5.08) .200	(1.68) .066						
08	(1.68) .066	(10.97) .432	(7.62) .300	(1.68) .066						
10	(1.68) .066	(13.51) .532	(10.16) .400	(4.22) .166						
12	(1.68) .066	(16.05) .632	(12.70) .500	(4.22) .166						
14	(1.68) .066	(18.59) .732	(15.24) .600	(6.76) .266						
16	(1.68) .066	(21.13) .832	(17.78) .700	(6.76) .266						
18	(1.68) .066	(23.67) .932	(20.32) .800	(9.30) .366						
20	(1.68) .066	(26.21) .1032	(22.86) .900	(1.68) .066	(19.46) .766					
22	(1.68) .066	(28.75) .1132	(25.40) .1000	(1.68) .066	(22.90) .866					
24	(1.68) .066	(31.29) .1232	(27.94) .1100	(1.68) .066	(24.54) .966					
26	(1.68) .066	(33.83) .1332	(30.48) .1200	(1.68) .066	(27.08) .1066					
28	(1.68) .066	(36.37) .1432	(33.02) .1300	(1.68) .066	(29.62) .1166					
30	(1.68) .066	(38.91) .1532	(35.56) .1400	(1.68) .066	(32.16) .1266					
32	(1.68) .066	(41.45) .1632	(38.10) .1500	(1.68) .066	(34.70) .1366					
34	(1.68) .066	(43.99) .1732	(40.64) .1600	(1.68) .066	(37.24) .1466					
36	(1.68) .066	(46.53) .1832	(43.18) .1700	(1.68) .066	(39.78) .1566					
38	(1.68) .066	(49.07) .1932	(45.72) .1800	(1.68) .066	(42.32) .1666					
40	(1.68) .066	(51.61) .2032	(48.26) .1900	(1.68) .066	(44.86) .1766					
42	(1.68) .066	(54.15) .2132	(50.80) .2000	(1.68) .066	(47.40) .1866					
44	(1.68) .066	(56.69) .2232	(53.34) .2100	(1.68) .066	(49.94) .1966					
46	(1.68) .066	(59.23) .2332	(55.88) .2200	(1.68) .066	(52.48) .2066					
48	(1.68) .066	(61.77) .2432	(58.42) .2300	(1.68) .066	(55.02) .2166					
50	(1.68) .066	(64.31) .2532	(60.96) .2400	(1.68) .066	(57.56) .2266					
52	(1.68) .066	(66.85) .2632	(63.50) .2500	(1.68) .066	(60.10) .2366					
54	(1.68) .066	(69.39) .2732	(66.04) .2600	(1.68) .066	(62.64) .2466					
56	(1.68) .066	(71.93) .2832	(68.58) .2700	(1.68) .066	(65.18) .2566					
58	(1.68) .066	(74.47) .2932	(71.12) .2800	(1.68) .066	(67.72) .2666					
60	(1.68) .066	(77.01) .3032	(73.66) .2900	(1.68) .066	(70.26) .2766					
62	(1.68) .066	(79.55) .3132	(76.20) .3000	(1.68) .066	(72.80) .2866					
64	(1.68) .066	(82.09) .3232	(78.74) .3100	(1.68) .066	(75.34) .2966					
66	(1.68) .066	(84.63) .3332	(81.28) .3200	(1.68) .066	(77.88) .3066					
68	(1.68) .066	(87.17) .3432	(83.82) .3300	(1.68) .066	(80.42) .3166					
70	(1.68) .066	(89.71) .3532	(86.36) .3400	(1.68) .066	(82.96) .3266					
72	(1.68) .066	(92.25) .3632	(88.90) .3500	(1.68) .066	(85.50) .3366					

- U ADD -3803 OPT
DCP2004-2268
DMORGAN 04/05/20
- T LEAD FREE
USP2004-179
R WHITE 04/04/26
- S ADD -3802 OPTION
ECN #022004-052
DMORGAN 04/01/2
- R2 TAB DIF DIM 6 CIR
ECN #010999-0145
DMORGAN 56/09/01
- R1 ADD WDG LATCH NOTE
ECN #010998-0399
DMORGAN 56/06/23
- R ADDED SHEET 7
- O REMOVE FDP NO.S
PER ECR NO US0208
03-23-96
- P CHGD WINDOW NOTES
PER ECR NO US3016
05-04-93
- O CHANGED MATERIAL
PER ECR NO US0146
01-22-93
- R2 REVISD A REDRAWN
PER ECR NO US0173
05-28-92
- LTR REVISIONS

DIMENSIONS SHOWN METRIC INCH
 UNLESS OTHERWISE SPECIFIED
 1 INCH = 25.4 MILLIMETERS
 1 MILLIMETER = 0.03937 INCHES
 DIM. METRIC DIM. INCH
 1 P.L.K. ± .005 ± .013
 2 P.L.K. ± .01 ± .013
 1 P.L.K. --- ± .025
 DIMENSIONS SHOWN METRIC INCH UNLESS OTHERWISE SPECIFIED
 DIM. METRIC DIM. INCH
 1 P.L.K. ± .005 ± .013
 2 P.L.K. ± .01 ± .013
 1 P.L.K. --- ± .025
 DIMENSIONS SHOWN METRIC INCH UNLESS OTHERWISE SPECIFIED
 DIM. METRIC DIM. INCH
 1 P.L.K. ± .005 ± .013
 2 P.L.K. ± .01 ± .013
 1 P.L.K. --- ± .025

MFG. SH. REV. LTR. REVISIONS
 SALES ASSEMBLY
 WAFER - STRAIGHT MT. FULLY SHROUDED
 .1000 GRID - FOR USE W/ .0025 SQ. PINS
 WITH .066 END WALLS
 MOLEX INCORPORATED SHEET NO. 1 OF 7 92/07/17
 DATE 08/02/92
 SEE CHART SDA-8723-*****
 FILE NO. 58723A11
 NO. DRAWING CONTAINS INFORMATION NOT TO BE REPRODUCED WITHOUT PERMISSION DA D

	20	19	18	17	16	15	14	13	12	11	8723	9	8	7	6	8723	4	3	2	1	
	ENGINEERING PART NUMBER A-8723-	RELEASE FOR MANUFACTURE				P REF.	PLATING TYPE	CONNECTOR END PLATING				P.C. BOARD END PLATING			PACKAGING INFORMATION						
								TYPE	J LENGTH	K MEAS.			TYPE	L LENGTH	M MEAS.						
	06A164 / 72A164	RFM				(3.30) .130	TIN	TIN		(2.54) .100		TIN		(1.27) .050		0018					
	06B164 / 72B164	RFM				(5.08) .200	TIN	TIN		(2.54) .100		TIN		(1.27) .050		0018					
	06A571 / 72A571	RFM				(3.30) .130	15 GOLD	GOLD	(5.08) .200	(2.54) .100		TIN	(2.54) .100	(1.27) .050		0018					
	06B571 / 72B571	RFM				(5.08) .200	15 GOLD	GOLD	(5.08) .200	(2.54) .100		TIN	(2.54) .100	(1.27) .050		0018					
	06A574 / 72A574	RFM				(3.30) .130	30 GOLD	GOLD	(5.08) .200	(2.54) .100		TIN	(2.54) .100	(1.27) .050		0018					
	06B574 / 72B574	RFM				(5.08) .200	30 GOLD	GOLD	(5.08) .200	(2.54) .100		TIN	(2.54) .100	(1.27) .050		0018					
	06A596 / 72A596	RFM				(3.30) .130	50 GOLD	GOLD	(5.08) .200	(2.54) .100		TIN	(2.54) .100	(1.27) .050		0018					
	06B596 / 72B596	RFM				(5.08) .200	50 GOLD	GOLD	(5.08) .200	(2.54) .100		TIN	(2.54) .100	(1.27) .050		0018					

PLATING:
TIN .000150 MINIMUM TIN OVER
.000050 MINIMUM NICKEL PLATE.
15 GOLD .000015 MINIMUM GOLD PLATE IN SELECTED AREA AND .000075 MINIMUM TIN IN SELECTED AREA OVER .000050 MINIMUM NICKEL OVER-ALL.
30 GOLD .000030 MINIMUM GOLD PLATE IN SELECTED AREA AND .000075 MINIMUM TIN IN SELECTED AREA OVER .000050 MINIMUM NICKEL OVER-ALL.
50 GOLD .000050 MINIMUM GOLD PLATE IN SELECTED AREA AND .000075 MINIMUM TIN IN SELECTED AREA OVER .000050 MINIMUM NICKEL OVER-ALL.

NO. OF CKTS	TIN		TIN		15 GOLD		15 GOLD		30 GOLD		30 GOLD		50 GOLD		50 GOLD					
	EDP NUMBER	ENG NUMBER	EDP NUMBER	ENG NUMBER	EDP NUMBER	ENG NUMBER	EDP NUMBER	ENG NUMBER	EDP NUMBER	ENG NUMBER	EDP NUMBER	ENG NUMBER	EDP NUMBER	ENG NUMBER	EDP NUMBER	ENG NUMBER	EDP NUMBER	ENG NUMBER	EDP NUMBER	ENG NUMBER
06	15-42-6006	A-8723-06A164	15-42-6106	A-8723-06B164	15-29-6006	A-8723-06A571	15-29-6106	A-8723-06B571	15-41-7006	A-8723-06A574	15-41-7106	A-8723-06B574	A-8723-06A596	A-8723-06B596						
08	15-42-6008	A-8723-08A164	15-42-6108	A-8723-08B164	15-29-6008	A-8723-08A571	15-29-6108	A-8723-08B571	15-41-7008	A-8723-08A574	15-41-7108	A-8723-08B574	A-8723-08A596	A-8723-08B596						
10	15-42-6010	A-8723-10A164	15-42-6110	A-8723-10B164	15-29-6010	A-8723-10A571	15-29-6110	A-8723-10B571	15-41-7010	A-8723-10A574	15-41-7110	A-8723-10B574	A-8723-10A596	A-8723-10B596						
12	15-42-6012	A-8723-12A164	15-42-6112	A-8723-12B164	15-29-6012	A-8723-12A571	15-29-6112	A-8723-12B571	15-41-7012	A-8723-12A574	15-41-7112	A-8723-12B574	A-8723-12A596	A-8723-12B596						
14	15-42-6014	A-8723-14A164	15-42-6114	A-8723-14B164	15-29-6014	A-8723-14A571	15-29-6114	A-8723-14B571	15-41-7014	A-8723-14A574	15-41-7114	A-8723-14B574	A-8723-14A596	A-8723-14B596						
16	15-42-6016	A-8723-16A164	15-42-6116	A-8723-16B164	15-29-6016	A-8723-16A571	15-29-6116	A-8723-16B571	15-41-7016	A-8723-16A574	15-41-7116	A-8723-16B574	A-8723-16A596	A-8723-16B596						
18	15-42-6018	A-8723-18A164	15-42-6118	A-8723-18B164	15-29-6018	A-8723-18A571	15-29-6118	A-8723-18B571	15-41-7018	A-8723-18A574	15-41-7118	A-8723-18B574	A-8723-18A596	A-8723-18B596						
20	15-42-6020	A-8723-20A164	15-42-6120	A-8723-20B164	15-29-6020	A-8723-20A571	15-29-6120	A-8723-20B571	15-41-7020	A-8723-20A574	15-41-7120	A-8723-20B574	A-8723-20A596	A-8723-20B596						
22	15-42-6022	A-8723-22A164	15-42-6122	A-8723-22B164	15-29-6022	A-8723-22A571	15-29-6122	A-8723-22B571	15-41-7022	A-8723-22A574	15-41-7122	A-8723-22B574	A-8723-22A596	A-8723-22B596						
24	15-42-6024	A-8723-24A164	15-42-6124	A-8723-24B164	15-29-6024	A-8723-24A571	15-29-6124	A-8723-24B571	15-41-7024	A-8723-24A574	15-41-7124	A-8723-24B574	A-8723-24A596	A-8723-24B596						
26	15-42-6026	A-8723-26A164	15-42-6126	A-8723-26B164	15-29-6026	A-8723-26A571	15-29-6126	A-8723-26B571	15-41-7026	A-8723-26A574	15-41-7126	A-8723-26B574	A-8723-26A596	A-8723-26B596						
28	15-42-6028	A-8723-28A164	15-42-6128	A-8723-28B164	15-29-6028	A-8723-28A571	15-29-6128	A-8723-28B571	15-41-7028	A-8723-28A574	15-41-7128	A-8723-28B574	A-8723-28A596	A-8723-28B596						
30	15-42-6030	A-8723-30A164	15-42-6130	A-8723-30B164	15-29-6030	A-8723-30A571	15-29-6130	A-8723-30B571	15-41-7030	A-8723-30A574	15-41-7130	A-8723-30B574	A-8723-30A596	A-8723-30B596						
32	15-42-6032	A-8723-32A164	15-42-6132	A-8723-32B164	15-29-6032	A-8723-32A571	15-29-6132	A-8723-32B571	15-41-7032	A-8723-32A574	15-41-7132	A-8723-32B574	A-8723-32A596	A-8723-32B596						
34	15-42-6034	A-8723-34A164	15-42-6134	A-8723-34B164	15-29-6034	A-8723-34A571	15-29-6134	A-8723-34B571	15-41-7034	A-8723-34A574	15-41-7134	A-8723-34B574	A-8723-34A596	A-8723-34B596						
36	15-42-6036	A-8723-36A164	15-42-6136	A-8723-36B164	15-29-6036	A-8723-36A571	15-29-6136	A-8723-36B571	15-41-7036	A-8723-36A574	15-41-7136	A-8723-36B574	A-8723-36A596	A-8723-36B596						
38	15-42-6038	A-8723-38A164	15-42-6138	A-8723-38B164	15-29-6038	A-8723-38A571	15-29-6138	A-8723-38B571	15-41-7038	A-8723-38A574	15-41-7138	A-8723-38B574	A-8723-38A596	A-8723-38B596						
40	15-42-6040	A-8723-40A164	15-42-6140	A-8723-40B164	15-29-6040	A-8723-40A571	15-29-6140	A-8723-40B571	15-41-7040	A-8723-40A574	15-41-7140	A-8723-40B574	A-8723-40A596	A-8723-40B596						
42	15-42-6042	A-8723-42A164	15-42-6142	A-8723-42B164	15-29-6042	A-8723-42A571	15-29-6142	A-8723-42B571	15-41-7042	A-8723-42A574	15-41-7142	A-8723-42B574	A-8723-42A596	A-8723-42B596						
44	15-42-6044	A-8723-44A164	15-42-6144	A-8723-44B164	15-29-6044	A-8723-44A571	15-29-6144	A-8723-44B571	15-41-7044	A-8723-44A574	15-41-7144	A-8723-44B574	A-8723-44A596	A-8723-44B596						
46	15-42-6046	A-8723-46A164	15-42-6146	A-8723-46B164	15-29-6046	A-8723-46A571	15-29-6146	A-8723-46B571	15-41-7046	A-8723-46A574	15-41-7146	A-8723-46B574	A-8723-46A596	A-8723-46B596						
48	15-42-6048	A-8723-48A164	15-42-6148	A-8723-48B164	15-29-6048	A-8723-48A571	15-29-6148	A-8723-48B571	15-41-7048	A-8723-48A574	15-41-7148	A-8723-48B574	A-8723-48A596	A-8723-48B596						
50	15-42-6050	A-8723-50A164	15-42-6150	A-8723-50B164	15-29-6050	A-8723-50A571	15-29-6150	A-8723-50B571	15-41-7050	A-8723-50A574	15-41-7150	A-8723-50B574	A-8723-50A596	A-8723-50B596						
52	15-42-6052	A-8723-52A164	15-42-6152	A-8723-52B164	15-29-6052	A-8723-52A571	15-29-6152	A-8723-52B571	15-41-7052	A-8723-52A574	15-41-7152	A-8723-52B574	A-8723-52A596	A-8723-52B596						
54	15-42-6054	A-8723-54A164	15-42-6154	A-8723-54B164	15-29-6054	A-8723-54A571	15-29-6154	A-8723-54B571	15-41-7054	A-8723-54A574	15-41-7154	A-8723-54B574	A-8723-54A596	A-8723-54B596						
56	15-42-6056	A-8723-56A164	15-42-6156	A-8723-56B164	15-29-6056	A-8723-56A571	15-29-6156	A-8723-56B571	15-41-7056	A-8723-56A574	15-41-7156	A-8723-56B574	A-8723-56A596	A-8723-56B596						
58	15-42-6058	A-8723-58A164	15-42-6158	A-8723-58B164	15-29-6058	A-8723-58A571	15-29-6158	A-8723-58B571	15-41-7058	A-8723-58A574	15-41-7158	A-8723-58B574	A-8723-58A596	A-8723-58B596						
60	15-42-6060	A-8723-60A164	15-42-6160	A-8723-60B164	15-29-6060	A-8723-60A571	15-29-6160	A-8723-60B571	15-41-7060	A-8723-60A574	15-41-7160	A-8723-60B574	A-8723-60A596	A-8723-60B596						
62	15-42-6062	A-8723-62A164	15-42-6162	A-8723-62B164	15-29-6062	A-8723-62A571	15-29-6162	A-8723-62B571	15-41-7062	A-8723-62A574	15-41-7162	A-8723-62B574	A-8723-62A596	A-8723-62B596						
64	15-42-6064	A-8723-64A164	15-42-6164	A-8723-64B164	15-29-6064	A-8723-64A571	15-29-6164	A-8723-64B571	15-41-7064	A-8723-64A574	15-41-7164	A-8723-64B574	A-8723-64A596	A-8723-64B596						
66	15-42-6066	A-8723-66A164	15-42-6166	A-8723-66B164	15-29-6066	A-8723-66A571	15-29-6166	A-8723-66B571	15-41-7066	A-8723-66A574	15-41-7166	A-8723-66B574	A-8723-66A596	A-8723-66B596						
68	15-42-6068	A-8723-68A164	15-42-6168	A-8723-68B164	15-29-6068	A-8723-68A571	15-29-6168	A-8723-68B571	15-41-7068	A-8723-68A574	15-41-7168	A-8723-68B574	A-8723-68A596	A-8723-68B596						
70	15-42-6070	A-8723-70A164	15-42-6170	A-8723-70B164	15-29-6070	A-8723-70A571	15-29-6170	A-8723-70B571	15-41-7070	A-8723-70A574	15-41-7170	A-8723-70B574	A-8723-70A596	A-8723-70B596						
72	15-42-6072	A-8723-72A164	15-42-6172	A-8723-72B164	15-29-6072	A-8723-72A571	15-29-6172	A-8723-72B571	15-41-7072	A-8723-72A574	15-41-7172	A-8723-72B574	A-8723-72A596	A-8723-72B596						

DIMENSIONS SHOWN METRIC INCH
UNLESS OTHERWISE SPECIFIED
TOLERANCES ARE AS SHOWN

1	PLATE 1	2
2	PLATE 2	2
3	PLATE 3	2

REVISE ONLY ON CAD SYSTEM
SALES ASSEMBLY
WAFER-STRAIGHT MT. FULLY SHROUDED
.100 GRID-FOR USE W/.025 SQ. PINS
WITH .066 END WALLS

MOLEX INCORPORATED SHEET NO. 4481
DATE 9/2/07

SEE CHART SDA-8723-*****
FILE NAME 58723A2
SCALE 1:1

NO DIMENSIONS CONTAINING HYPHENATION SHALL BE PROPORTIONED TO THIS TOLERANCE UNLESS OTHERWISE SPECIFIED

DATE: 9/2/07