

### Cat.6A U/UTP 24AWG Patch Cord



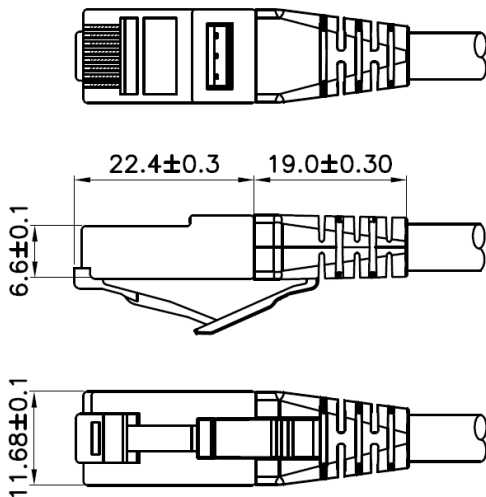
#### Features

- Small od and flexible cable and extreme performance design for Hyper-Scale and Edge Data Center
- Compliant with the ISO/IEC11801-1 class EA and ANSI/TIA 568.2-D Cat.6A channel performance
- Power over HDBaseT™ (PoH) applications up to 100 W

#### Standard Compliance

- ANSI/TIA-568.2-D
- ISO/IEC 11801-1, Class EA
- IEC 60603-7
- IEC 60512-99-002
- IEEE 802.3bt type 4 PoE++(4PPoE) 100 W
- ANSI/TIA-1096-A (formerly FCC Part 68)
- UL444 (for UL CM PVC jacket material only)
- IEC 61935-2
- IEC 61034-2 Smoke (for LSZH material only)
- IEC 60754-2 Halogen / Acid (for LSZH material only)
- RoHS /REACH compliant

Dimensions (mm)



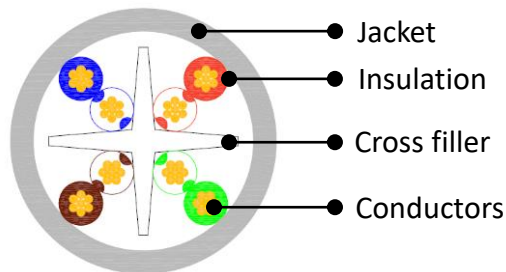
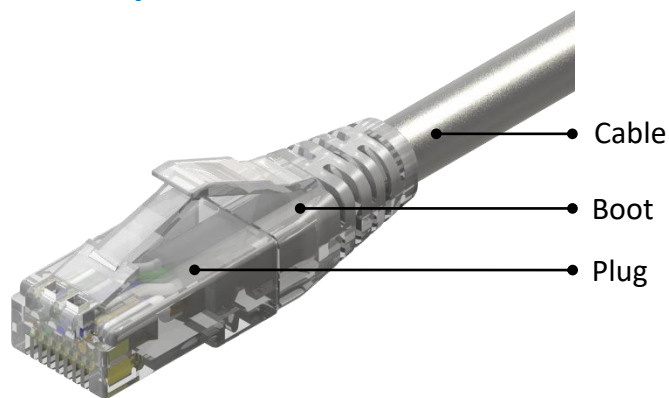
#### Length Information, at 20 °C

- **Length Available :**  
2-connector Channel: 0.3m to 20m

#### • 2-connector Channel Length Information:

Cord A	Perm. Link	Cord B	Performance
9m	90m	1m	Channel & 4PPoE

### Cat.6A U/UTP 24AWG Patch Cord



#### Specifications

##### Patch cord (IEC 61935-2, Patch Cord Reliability)

• Life (mating cycles)	Min. 750 cycles
• Pulling tension	50N for 60 s
• Strain relief	50N for 60 s in all direction
• Flexing	2N for 500 cycles, 20cycles per 60 s
• Bend radius	Min. 47.2mm, 8x of cable O.D.
• Insulation resistance	≥ 500 MΩ at 100 Vdc, for 60 s
• Voltage proof	Contact to contact 1000 Vdc, for 60 s
• Installing temperature	0°C to 50°C (32°F to 122°F)
• Storage temperature	-40°C to 70°C (-40°F to 158°F), under static conditions
• Operating temperature	-10°C to 60°C (14°F to 140°F), under static conditions

#### Cable

• Conductors	Bare copper, 24AWG, 7 x 0.192±0.005mm
• Insulation	HDPE, O.D. 0.98±0.02mm
• Jacket	0.5mm(nominal) thickness, O.D. 5.9±0.2mm
• Cross filler(separator)	PE

#### Printing on the cable

• LSZH	U/UTP PATCH CABLE 24AWG 4PR LSZH ETL VERIFIED ISO/IEC 11801 CLASS E & ANSI/TIA-568.2-D CAT.6A XXXXXXX-X
• CM PVC	U/UTP PATCH CABLE 24AWG 4PR E178558 C(UL)US TYPE CM 75°C ETL VERIFIED ISO/IEC 11801 CLASS EA & ANSI/TIA-568.2-D CAT.6A XXXXXXX-X

#### Plug

• Conductors	Phosphor bronze, min. 0.3mm thickness
• Gold plating	50 micro-inch gold plating over 50 micro-inch nickel plating on contact area
• Housing	1 row type, polycarbonate, UL94 rated, transparent color
• Load bar	1 row type, polycarbonate, UL94 rated, transparent color
• Contact resistances	≤ 20mΩ

#### Boot

• Boot	Polycarbonate, UL94 rated, transparent color
--------	--