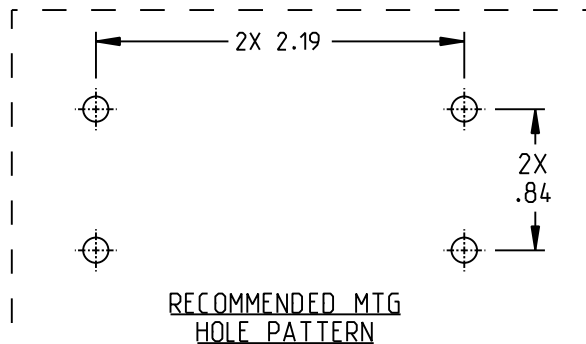
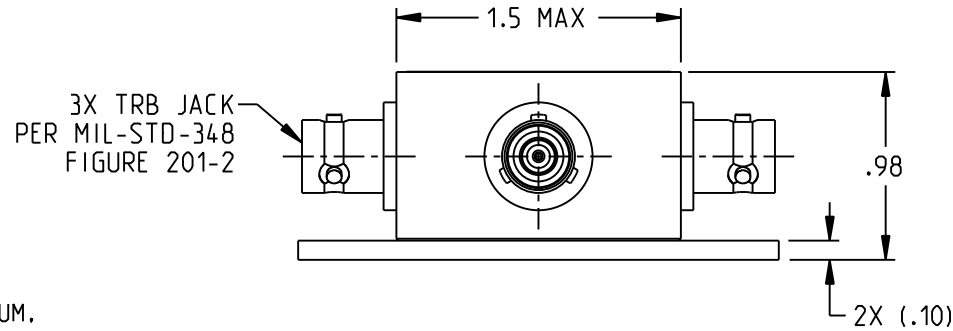
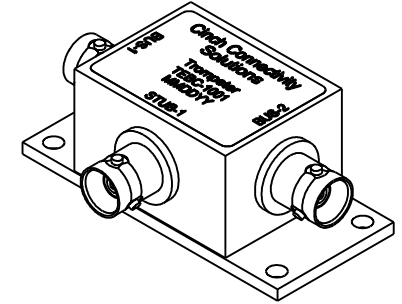
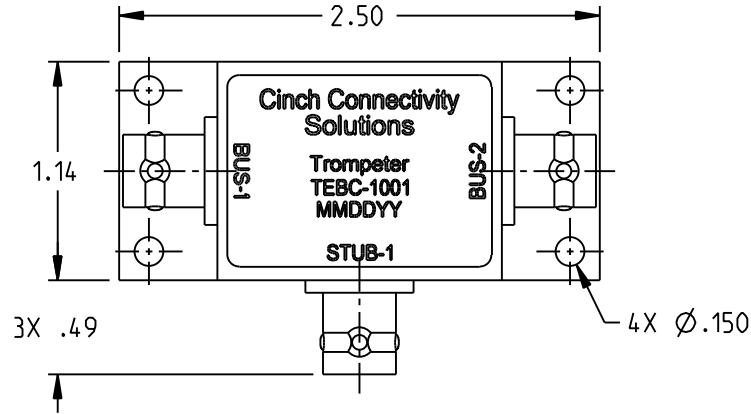
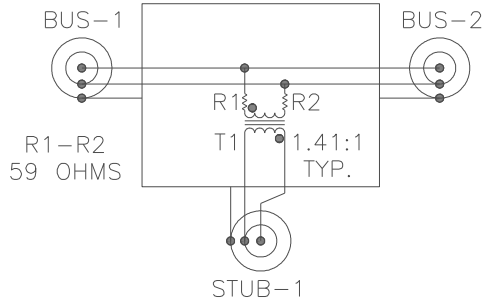


**SCHEMATIC**



NOTES: UNLESS OTHERWISE SPECIFIED.

**1. MATERIAL & FINISH:**

- 1.1 COUPLER HOUSING: ANODIZED ALUMINUM, PAINTED BLUE
- 1.2 TRB JACK:
  - 1.2.1 BODY: NICKEL PLATED BRASS
  - 1.2.2 INSULATOR & DIELECTRIC: PTFE (TEFLON)
  - 1.2.3 CENTER CONTACT: GOLD PLATED BERYLLIUM COPPER

**2. ELECTRICAL:**

- 2.1 DROOP: 20% MAXIMUM
- 2.2 OVERSHOOT AND RINGING:  $\pm 1.0V$  PK-PK
- 2.3 TRANSFORMER RATIO: 1.41CT-CT
- 2.4 FAULT PROTECTION: 59 OHM  $\pm 1\%$ , 2 WATTS PER MIL-PRF-39007
- 2.5 COMMON MODE REJECTION: -55dB @ 1 MHz

**3. ENVIRONMENTAL:**

- 3.1 OPERATING TEMPERATURE: -55°C TO 125°C.

<p>This PROPRIETARY Document is property of Cinch Connectivity Solutions. It is confidential in nature, non-transferable, and issued with the clear understanding that it is not traced or copied without permission and is returnable upon demand.</p> <p>INTERPRET DRAWING IN ACCORDANCE WITH ASME Y14.5-2009.</p>		<h2>TROMPETER</h2>	
		Title: TRB BUS COUPLER, UNTERMINATED, ONE STUB	
UNLESS OTHERWISE SPECIFIED UNITS: INCH		Model No.	TEBC-1001
.XX $\pm .03$ .XXX $\pm .015$ ANGLES $\pm 2^\circ$	Size A	DO NOT SCALE DRAWING	Date: 4/20/2020 Sheet 1 OF 1