

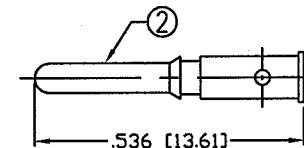
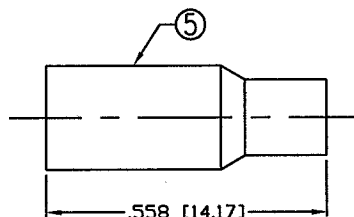
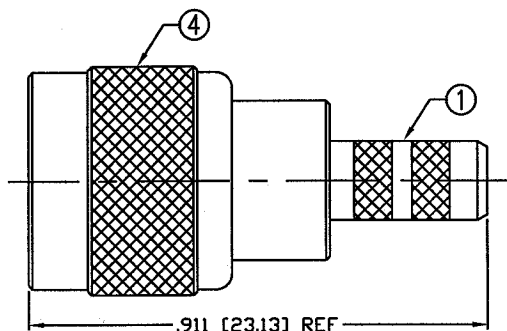
THIS DRAWING CONTAINS INFORMATION PROPRIETARY TO RF INDUSTRIES.  
 ANY UNAUTHORIZED USE OF THIS DRAWING IS EXPRESSLY PROHIBITED  
 WITHOUT WRITTEN PERMISSION FROM RF INDUSTRIES.  
 ANY VIOLATION IS PUNISHABLE UNDER U.S. COPYRIGHT LAWS.

ALL DIMENSIONS ARE REFERENCE ONLY

PART NO.

**RFU-600-3**

REV	DESCRIPTION	DWN	DATE	APPROVED
B	ENGINEERING RELEASE	KMM	2/21/94	C. JONES
C	CHANGE FER AND FER STUD DIMS \ CHG INSERT TO NYLON	KMM	3/29/95	R. RICE
D	CHANGE DIMS: DIELECTRIC, PIN, BODY \ ADDED BRASS INSERT	BMA	1/15/97	R. RICE
E	CHG OVERALL & STRIPPING DIM \ UPDATE FORMAT	CZS	9/9/01	JDMc

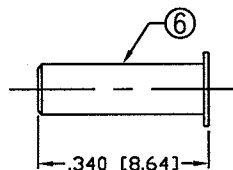


RECOMMENDED CRIMP DIE: .130 & .170

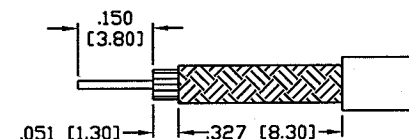
RECOMMENDED CRIMP DIE: .068

**SPECIFICATIONS:**

IMPEDANCE: 50 Ohms  
 FREQUENCY RANGE: 0-2.5 GHz  
 VSWR: 1.25 MAX.  
 WORKING VOLTAGE: 335 V rms Max. @ Sea Level  
 INSULATION RESISTANCE: 5000 MegOhms  
 TEMPERATURE RANGE: -65°C TO 165°C  
 FOR RG-174, 188, 188A, 316/U, ALPHA 9174, 9316,  
 BELDEN 8216, 83269, 83284, 84316 & TIMES LMR-100A CABLE



PLACE #7 (INSERT) OVER CABLE DIELECTRIC  
 BEFORE PIN IS SOLDERED/CRIMP



RECOMMENDED STRIPPING INSTRUCTIONS

1	BODY	1	BRASS	NICKEL, 100μ"
2	PIN	1	BRASS	GOLD, 3μ"
3	INSULATOR	1	PTFE	---
4	SHELL	1	BRASS	NICKEL, 100μ"
5	FERRULE	1	BRASS	NICKEL, 100μ"
6	INSERT	1	BRASS	NICKEL, 100μ"
7				
8				
9				
10				
11				
12				
13				
14				
#	DESCRIPTION	QTY	MATERIAL	FINISH

000486	
DRAWN	7/9/01
C. ZUNIGA	
CHECKED	7/9/01
ORJ DRAWN	
C. ZUNIGA	4/22/91
APPROVALS	DATE

UNLESS OTHERWISE SPECIFIED:  
 1. REMOVE ALL BURRS  
 2. BREAK ALL CORNERS & EDGES .005 R. MAX.  
 3. CHAMFER 1ST & LAST THREADS 45°  
 4. SURFACE ROUGHNESS 63 FINISH MIL-STD-10  
 5. DIAMETERS ON COMMON CENTERS TO BE CONCENTRIC WITHIN .002 T.I.R.  
 6. ALL DIMENSIONS ARE AFTER PLATING.

DIMENSIONS ARE IN INCHES AND [MILLIMETERS]  
 UNLESS OTHERWISE NOTED TOLERANCES ARE:

DECIMALS	DIAMETER
.xxx±.003 [.08]	.xxx±.001 [.03]
.xx±.005 [.13]	.xx±.003 [.08]

**RF connectors**  
 DIVISION OF RF INDUSTRIES, LTD.

7610 MIRAMAR RD  
 SAN DIEGO, CA 92126  
 (858) 549-6340  
 (858) 549-6345 FAX

**MINI UHF PLUG CRIMP**

SIZE	CABLE GROUP	DWG NO.	REV
A	B	RFU-600-3	E
SCALE: NTS		CAD FILE OUTLINE	SHEET 1 OF 1