

Characteristics:

Low noise



Specifications:

Dimensions (in)	: Ø 0.8 X 1.0 in
Shaft Diameter (in)	: Ø 0.079 in
Input Voltage (V)	: 12.0 V DC
No Load Speed (rpm)	: 17000 rpm
No Load Current (A)	: 0.11 A
Nominal Speed (rpm)	: 14400 rpm
Nominal Torque (lb.in)	: 0.02 lb.in
Nominal Current (A)	: 0.50 A
Stall Torque (lb.in)	: 0.14 lb.in
Stall Current (A)	: 2.60 A
Maximum Output Power (hp)	: 0.01 hp
Maximum Efficiency (%)	: 62.00 %
Torque (lb.in) - Max Eff	: 0.03 lb.in
Speed (rpm) - Max Eff	: 13900 rpm
Life (Typical)	: 50 hr
Weight (oz)	: 0.7 oz
Operating Temperature Range (°F)	: 14 to 131 °F
Storage Temperature Range (°F)	: -4 to 176 °F
Electrical Connection	: Terminals

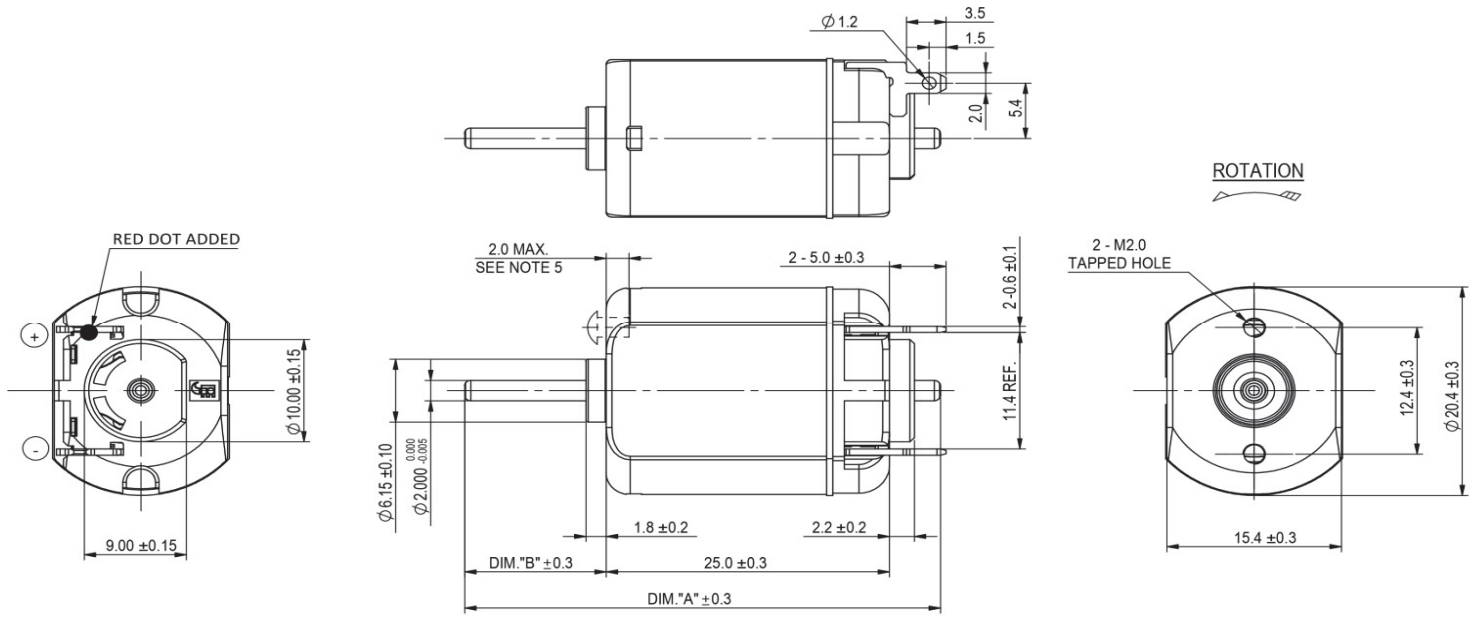
Performance Data:

	No Load	Stall	Max Efficiency	Max Power
Current (A)	0.11	2.62	0.56	1.37
Efficiency (%)	-	-	62.40	44.00
Output Power (hp)	-	-	0.01	0.01
Speed (rpm)	17000.00	-	13960.00	8500.00
Torque (lb.in)	-	0.14	0.03	0.07

Application Examples:

Actuators

Drawing:



Performance Curves:

