

UNLESS OTHERWISE NOTED:
 1. ALL RESISTORS THIS PAGE ARE 1% 0603.
 2. ALL CAPACITORS THIS PAGE ARE 0603.

ASSEMBLY OPTIONS

LTC SKU#	SKT 1 (PAGE 4)
DC2024A-A	NOT STUFFED
DC2024A-B	STUFFED

CUSTOMER NOTICE
 LINEAR TECHNOLOGY HAS MADE A BEST EFFORT TO DESIGN A CIRCUIT THAT MEETS CUSTOMER-SUPPLIED SPECIFICATIONS; HOWEVER, IT REMAINS THE CUSTOMER'S RESPONSIBILITY TO VERIFY PROPER AND RELIABLE OPERATION IN THE ACTUAL APPLICATION. COMPONENT SUBSTITUTION AND PRINTED CIRCUIT BOARD LAYOUT MAY SIGNIFICANTLY AFFECT CIRCUIT PERFORMANCE OR RELIABILITY. CONTACT LINEAR TECHNOLOGY APPLICATIONS ENGINEERING FOR ASSISTANCE.

THIS CIRCUIT IS PROPRIETARY TO LINEAR TECHNOLOGY AND SUPPLIED FOR USE WITH LINEAR TECHNOLOGY PARTS.

APPROVALS

PCB DES.	M.HAWKINS
APP ENG.	BOB SMITH
SIZE:	N/A
IC NO.	LTC4282IUH
SCALE	NONE

LINEAR TECHNOLOGY

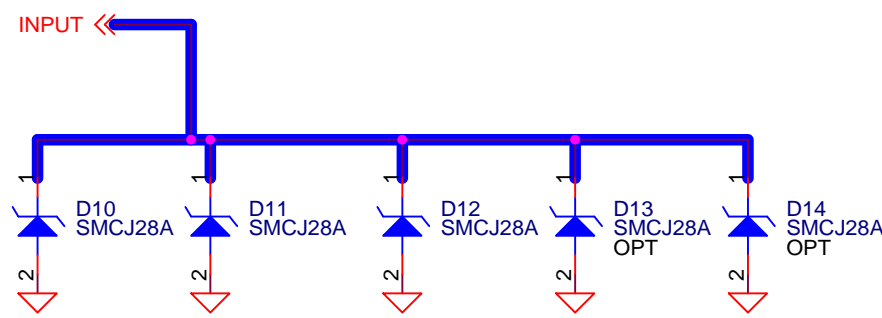
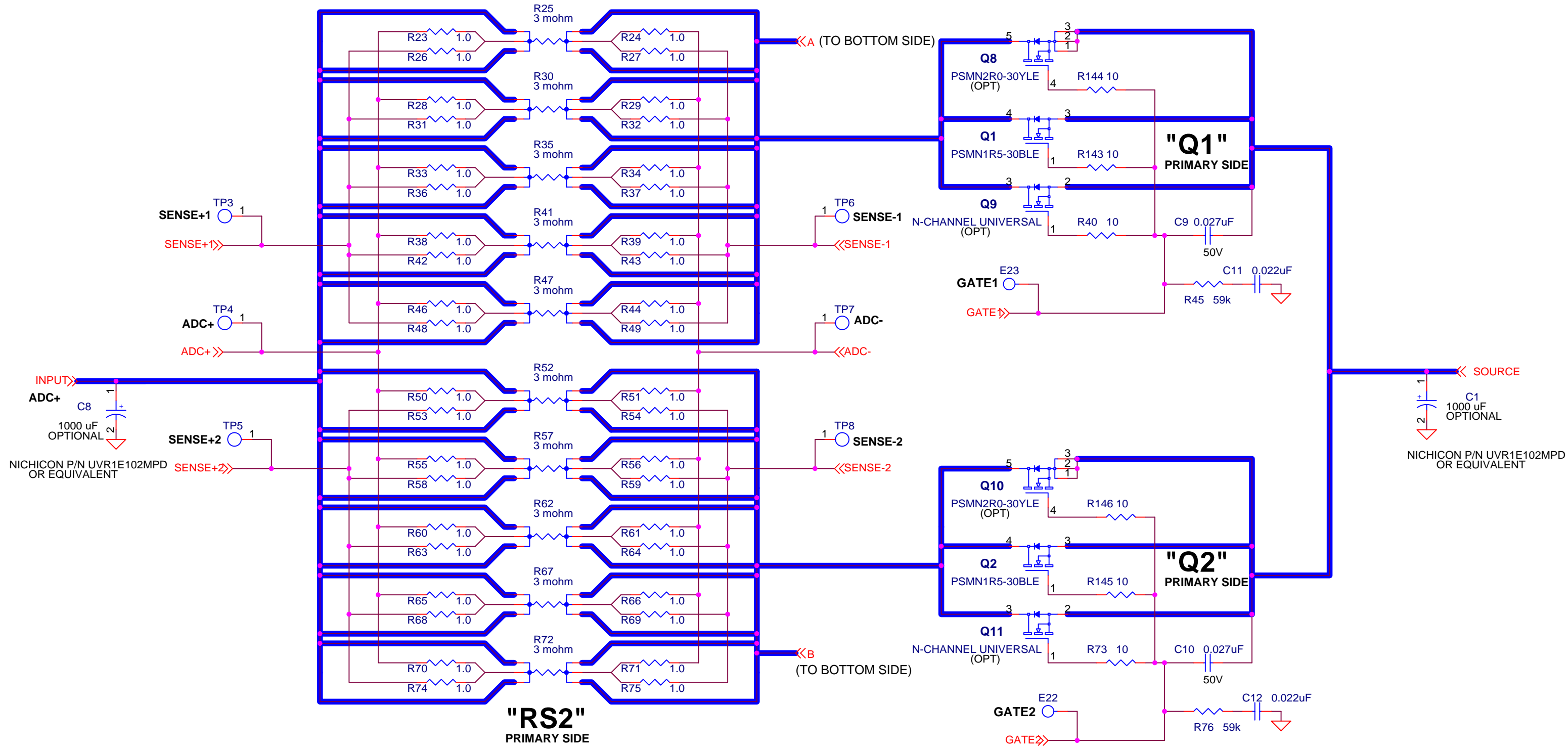
1630 McCarthy Blvd.
 Milpitas, CA 95035
 Phone: (408)432-1900 www.linear.com
 Fax: (408)434-0507
 LTC Confidential-For Customer Use Only

TITLE: DEMO CIRCUIT SCHEMATIC,
 HIGH CURRENT HOT SWAP CONTROLLER
 WITH I²C COMPATIBLE MONITORING AND EEPROM

SKU NO. DC2024A-A	SCHEMATIC NO. AND REVISION: 710-DC2024A REV 05
DATE: Friday, May 22, 2015	SHEET 1 OF 5

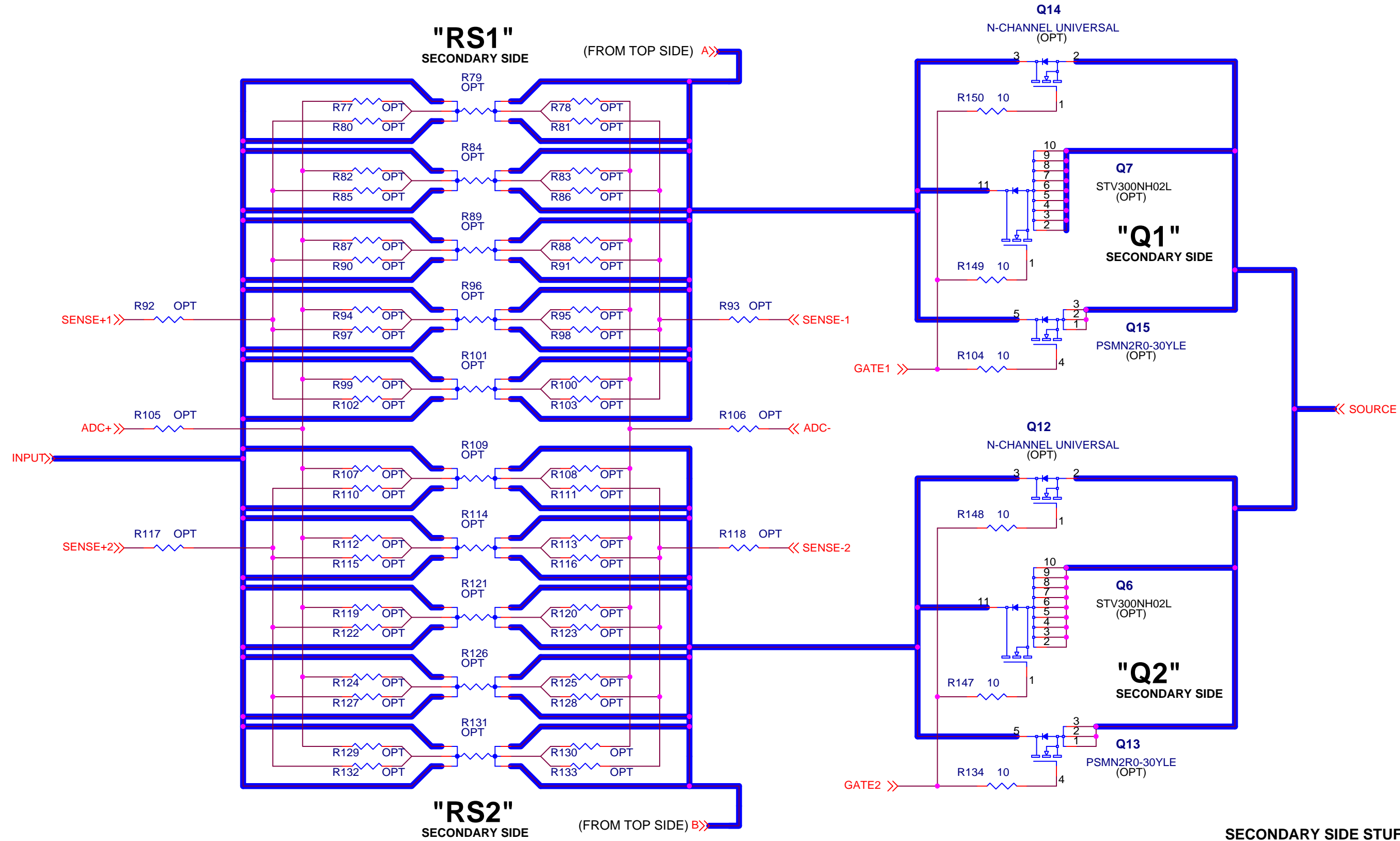
"RS1" PRIMARY SIDE

"RS2" PRIMARY SIDE



- =HIGH CURRENT CONNECTIONS**
- UNLESS OTHERWISE NOTED:
1. ALL RESISTORS THIS PAGE ARE 1% 0402.
 2. ALL CAPACITORS THIS PAGE ARE 0603.
 3. ALL 0.003 OHM SENSE RESISTORS ARE SIZE 2512.

CUSTOMER NOTICE		APPROVALS			1630 McCarthy Blvd. Milpitas, CA 95035 Phone: (408)432-1900 www.linear.com Fax: (408)434-0507 LTC Confidential-For Customer Use Only	
LINEAR TECHNOLOGY HAS MADE A BEST EFFORT TO DESIGN A CIRCUIT THAT MEETS CUSTOMER-SUPPLIED SPECIFICATIONS; HOWEVER, IT REMAINS THE CUSTOMER'S RESPONSIBILITY TO VERIFY PROPER AND RELIABLE OPERATION IN THE ACTUAL APPLICATION. COMPONENT SUBSTITUTION AND PRINTED CIRCUIT BOARD LAYOUT MAY SIGNIFICANTLY AFFECT CIRCUIT PERFORMANCE OR RELIABILITY. CONTACT LINEAR TECHNOLOGY APPLICATIONS ENGINEERING FOR ASSISTANCE.		PCB DES.	M.HAWKINS		TITLE: DEMO CIRCUIT SCHEMATIC, HIGH CURRENT HOT SWAP CONTROLLER WITH I ² C COMPATIBLE MONITORING AND EEPROM	SKU NO.
		APP ENG.	BOB SMITH	DC2024A-A		710-DC2024A REV 05
		SIZE:	N/A		DATE: Friday, May 22, 2015	SHEET 2 OF 5
		IC NO.	LTC4282IUH			
THIS CIRCUIT IS PROPRIETARY TO LINEAR TECHNOLOGY AND SUPPLIED FOR USE WITH LINEAR TECHNOLOGY PARTS.		SCALE =	NONE			

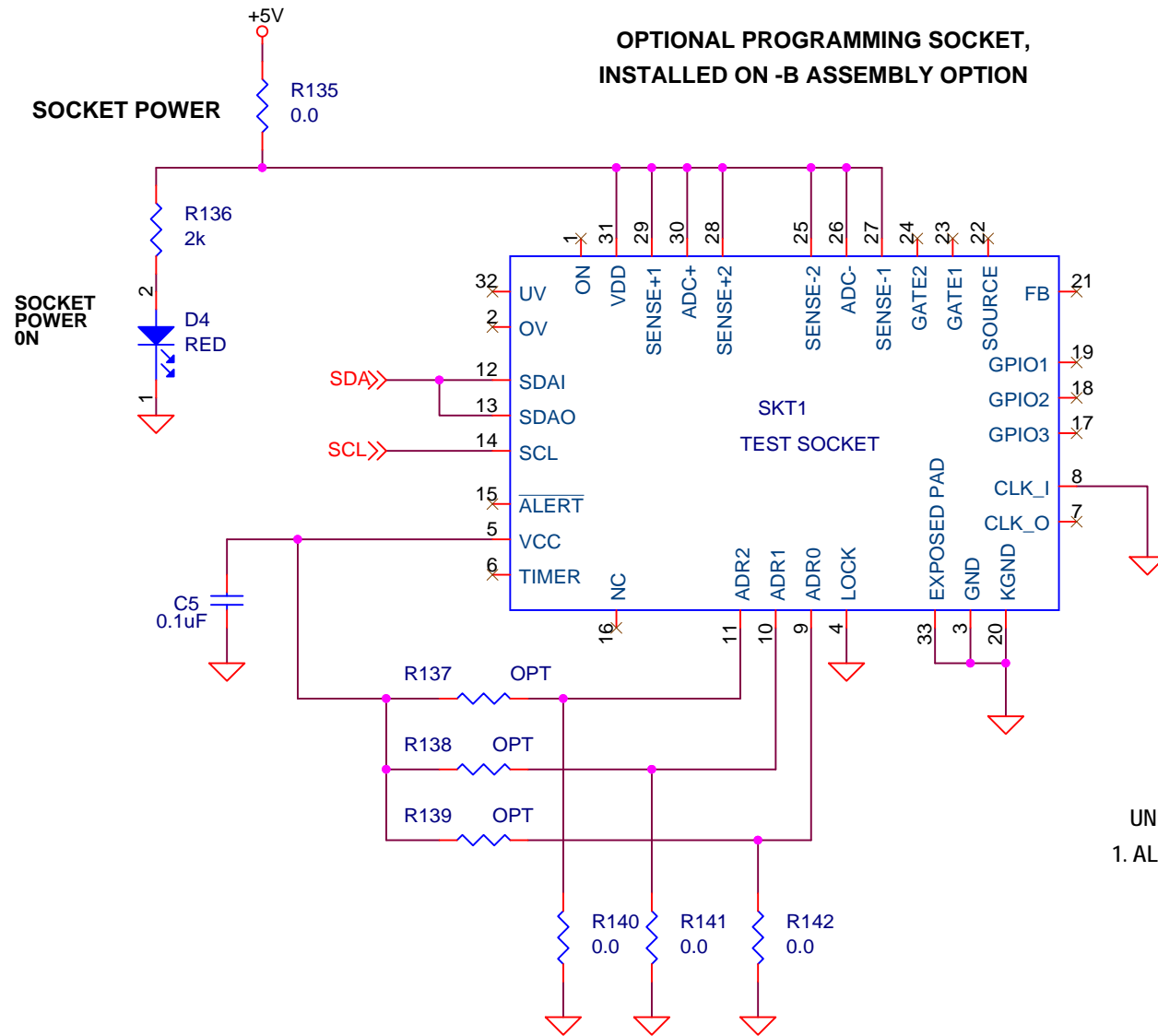


— = HIGH CURRENT CONNECTIONS

- UNLESS OTHERWISE NOTED:
1. ALL RESISTORS THIS PAGE ARE 1% 0402.
 2. ALL OPTIONAL SENSE RESISTORS ARE SIZE 2512.

SECONDARY SIDE STUFFING OPTIONS, THIS PAGE

<p>CUSTOMER NOTICE</p> <p>LINEAR TECHNOLOGY HAS MADE A BEST EFFORT TO DESIGN A CIRCUIT THAT MEETS CUSTOMER-SUPPLIED SPECIFICATIONS; HOWEVER, IT REMAINS THE CUSTOMER'S RESPONSIBILITY TO VERIFY PROPER AND RELIABLE OPERATION IN THE ACTUAL APPLICATION. COMPONENT SUBSTITUTION AND PRINTED CIRCUIT BOARD LAYOUT MAY SIGNIFICANTLY AFFECT CIRCUIT PERFORMANCE OR RELIABILITY. CONTACT LINEAR TECHNOLOGY APPLICATIONS ENGINEERING FOR ASSISTANCE.</p>		<p>APPROVALS</p>		<p>1630 McCarthy Blvd. Milpitas, CA 95035 Phone: (408)432-1900 www.linear.com Fax: (408)434-0507 LTC Confidential-For Customer Use Only</p>
		<p>PCB DES. M.HAWKINS</p> <p>APP ENG. BOB SMITH</p>	<p>SIZE: N/A</p>	
<p>THIS CIRCUIT IS PROPRIETARY TO LINEAR TECHNOLOGY AND SUPPLIED FOR USE WITH LINEAR TECHNOLOGY PARTS.</p>		<p>IC NO. LTC4282IUH</p>	<p>SKU NO. DC2024A-A</p>	<p>SCHEMATIC NO. AND REVISION: 710-DC2024A REV 05</p>
<p>SCALE = NONE</p>		<p>DATE: Friday, May 22, 2015</p>	<p>SHEET 3 OF 5</p>	




CUSTOMER NOTICE

LINEAR TECHNOLOGY HAS MADE A BEST EFFORT TO DESIGN A CIRCUIT THAT MEETS CUSTOMER-SUPPLIED SPECIFICATIONS; HOWEVER, IT REMAINS THE CUSTOMER'S RESPONSIBILITY TO VERIFY PROPER AND RELIABLE OPERATION IN THE ACTUAL APPLICATION. COMPONENT SUBSTITUTION AND PRINTED CIRCUIT BOARD LAYOUT MAY SIGNIFICANTLY AFFECT CIRCUIT PERFORMANCE OR RELIABILITY. CONTACT LINEAR TECHNOLOGY APPLICATIONS ENGINEERING FOR ASSISTANCE.

THIS CIRCUIT IS PROPRIETARY TO LINEAR TECHNOLOGY AND SUPPLIED FOR USE WITH LINEAR TECHNOLOGY PARTS.

APPROVALS	
PCB DES.	M.HAWKINS
APP ENG.	BOB SMITH
SIZE:	N/A
IC NO.	LTC4282IUH
SCALE =	NONE




1630 McCarthy Blvd.
Milpitas, CA 95035
Phone: (408)432-1900 www.linear.com
Fax: (408)434-0507
LTC Confidential-For Customer Use Only

TITLE: DEMO CIRCUIT SCHEMATIC, HIGH CURRENT HOT SWAP CONTROLLER WITH I²C COMPATIBLE MONITORING AND EEPROM	
SKU NO. DC2024A-A	SCHEMATIC NO. AND REVISION: 710-DC2024A REV 05
DATE: Friday, May 22, 2015	
SHEET 4 OF 5	

PCB MECHANICAL PARTS

MP1	BUMPER, RECESSED, #4 SCREW, BLACK	MP17	HEX NUT, #4-40 , SS 18-8
MP2	BUMPER, RECESSED, #4 SCREW, BLACK	MP18	HEX NUT, #4-40 , SS 18-8
MP3	BUMPER, RECESSED, #4 SCREW, BLACK	MP19	HEX NUT, #4-40 , SS 18-8
MP4	BUMPER, RECESSED, #4 SCREW, BLACK	MP20	HEX NUT, #4-40 , SS 18-8
MP5	WASHER, FLAT, SS 18-8, #4	MP21	HEX NUT, FULL, 3/8-16, 9/16 IN.
MP6	WASHER, FLAT, SS 18-8, #4	MP22	HEX NUT, FULL, 3/8-16, 9/16 IN.
MP7	WASHER, FLAT, SS 18-8, #4	MP23	FLAT WASHER, SS 18-8, 3/8 IN.
MP8	WASHER, FLAT, SS 18-8, #4	MP25	FLAT WASHER, SS 18-8, 3/8 IN.
MP9	MACHINE SCREW, #4-40 X 1/2 PHILLIPS PAN HEAD, ZINC	MP26	LOCK WASHER, INT., 0.398 IN. ID
MP10	MACHINE SCREW, #4-40 X 1/2 PHILLIPS PAN HEAD, ZINC	MP27	LOCK WASHER, INT., 0.398 IN. ID
MP11	MACHINE SCREW, #4-40 X 1/2 PHILLIPS PAN HEAD, ZINC	MP28	HEX HEAD BOLT, 3/8-16 X 1-1/8 IN.
MP12	MACHINE SCREW, #4-40 X 1/2 PHILLIPS PAN HEAD, ZINC	MP29	HEX HEAD BOLT, 3/8-16 X 1-1/8 IN.
MP13	LOCK WASHER, INT. TOOTH, ZINC, #4		
MP14	LOCK WASHER, INT. TOOTH, ZINC, #4		
MP15	LOCK WASHER, INT. TOOTH, ZINC, #4		
MP16	LOCK WASHER, INT. TOOTH, ZINC, #4		

<p align="center">CUSTOMER NOTICE</p> <p>LINEAR TECHNOLOGY HAS MADE A BEST EFFORT TO DESIGN A CIRCUIT THAT MEETS CUSTOMER-SUPPLIED SPECIFICATIONS; HOWEVER, IT REMAINS THE CUSTOMER'S RESPONSIBILITY TO VERIFY PROPER AND RELIABLE OPERATION IN THE ACTUAL APPLICATION. COMPONENT SUBSTITUTION AND PRINTED CIRCUIT BOARD LAYOUT MAY SIGNIFICANTLY AFFECT CIRCUIT PERFORMANCE OR RELIABILITY. CONTACT LINEAR TECHNOLOGY APPLICATIONS ENGINEERING FOR ASSISTANCE.</p>	<p align="center">APPROVALS</p>		 <p>1630 McCarthy Blvd. Milpitas, CA 95035 Phone: (408)432-1900 www.linear.com Fax: (408)434-0507 LTC Confidential-For Customer Use Only</p>	
	PCB DES.	M.HAWKINS		
	APP ENG.	BOB SMITH	<p align="center">TITLE: DEMO CIRCUIT SCHEMATIC, HIGH CURRENT HOT SWAP CONTROLLER WITH I²C COMPATIBLE MONITORING AND EEPROM</p>	
	SIZE:	N/A	<p align="center">SKU NO. DC2024A-A</p>	<p align="center">SCHEMATIC NO. AND REVISION: 710-DC2024A REV 05</p>
<p align="center">IC NO. LTC4282IUH</p>	<p align="center">SCALE = NONE</p>		<p align="center">DATE: Friday, May 22, 2015</p>	<p align="center">SHEET 5 OF 5</p>
<p align="center">THIS CIRCUIT IS PROPRIETARY TO LINEAR TECHNOLOGY AND SUPPLIED FOR USE WITH LINEAR TECHNOLOGY PARTS.</p>				