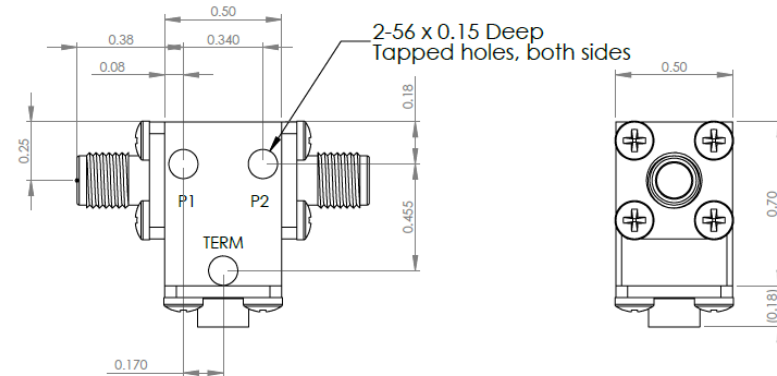
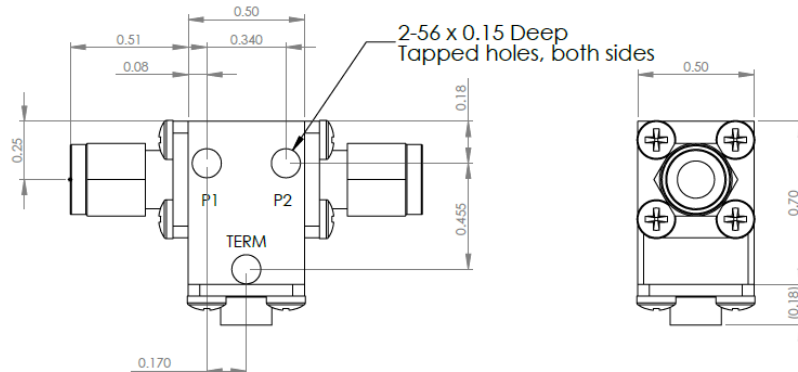


D318596 Dimensions



D318596-3 Dimensions



Dimensions are in inches
Tolerance

XX ±0.03
XXX ±0.010

Part Number: D318596

Electrical Specifications

Frequency Range (GHz):	8.5 – 9.6
Isolation (dB):	23 MIN
Insertion Loss (dB):	0.3 MAX
VSWR:	1.2:1 MIN
Forward Power (W):	10 AVG
	50 PK
Reflective Power (W):	2 AVG

Mechanical/Environmental Specifications

Connector Type:	SMA
Connector Body:	Passivated stainless steel
Connector Pin:	Gold plated copper
Load Body:	Brass
Magnetic Shunt:	Nickel plated CRS
Operational Temp:	-30°C to +65°C
Weight (oz)	0.9 MAX

Type of Device	PN Suffix	Connector Configuration Input / Output	PN Example
Single and Dual Junction Isolator, 2-Port Device	N/A	Female / Female	D318596
	-1	Male / Female	D318596-1
	-2	Female / Male	D318596-2
	-3	Male / Male	D318596-3



MEASURED DATA

Part Number: D3I8596, +25°C

