

CTLVC6028F Series

From 1.0 μ H to 100 μ H



CHARACTERISTICS

- Description:** SMD power inductors sealed with magnetic resin.
- Applications:** Smart phones, DSC, Tablet PC's, DC/DC converters, etc.
- Operating Temperature:** -55°C to 125°C (including self - temperature rise)
- Inductance Tolerance:** $\pm 20\%$, $\pm 30\%$
- Testing:** Inductance is tested on an HP4284A at 100kHz, 1V
- Packaging:** Tape & Reel.
- Marking:** Parts are marked with inductance code.
- Miscellaneous:** **RoHS Compliant.**
- Additional Information:** Additional electrical & physical information available upon request.
- Samples available. See website for ordering information.**

SPECIFICATIONS

Please specify inductance tolerance code when ordering.

CTLVC6028F-2R2_ \leftarrow M = $\pm 20\%$, N = $\pm 30\%$

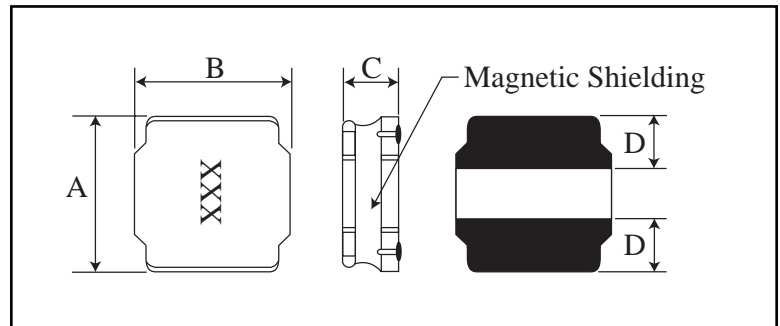
*Isat: DC current (A) that will cause L to drop approximately 30%.

**Irms: DC current (A) that will cause an approximate ΔT of 40°C.

Part Number	Inductance (μ H)	L Test Freq. (kHz)	DCR $\pm 30\%$ (m Ω)	*Isat Typ.(Max.) (A)	**Irms Typ.(Max.) (A)
CTLVC6028F-1R0N	1.0	100	13	7.6(6.84)	5.2(4.68)
CTLVC6028F-1R5N	1.5	100	16	6.3(5.67)	4.8(4.32)
CTLVC6028F-2R2_	2.2	100	20	5.4(4.86)	4.0(3.60)
CTLVC6028F-2R7_	2.7	100	26	4.9(4.41)	3.7(3.33)
CTLVC6028F-3R3_	3.3	100	28	4.3(3.87)	3.5(3.15)
CTLVC6028F-4R7_	4.7	100	38	3.7(3.33)	3.2(2.88)
CTLVC6028F-6R0_	6.0	100	45	3.3(2.97)	2.8(2.52)
CTLVC6028F-6R8_	6.8	100	50	3.1(2.79)	2.7(2.43)
CTLVC6028F-100_	10	100	65	2.5(2.25)	2.3(2.07)
CTLVC6028F-150_	15	100	95	2.0(1.80)	1.8(1.62)
CTLVC6028F-220_	22	100	135	1.6(1.44)	1.5(1.35)
CTLVC6028F-330_	33	100	220	1.3(1.17)	1.4(1.26)
CTLVC6028F-470_	47	100	320	1.1(0.99)	1.0(0.90)
CTLVC6028F-680_	68	100	420	0.98(0.88)	0.9(0.81)
CTLVC6028F-101_	100	100	600	0.82(0.73)	0.8(0.72)

PHYSICAL DIMENSIONS

Size	A	B	C	D
mm	6.0 \pm 0.2	6.0 \pm 0.2	2.8 \pm 0.2, -0.3	1.9 \pm 0.3
inches	0.236 \pm 0.008	0.236 \pm 0.008	0.110 \pm 0.008, -0.012	0.075 \pm 0.012



PAD LAYOUT

