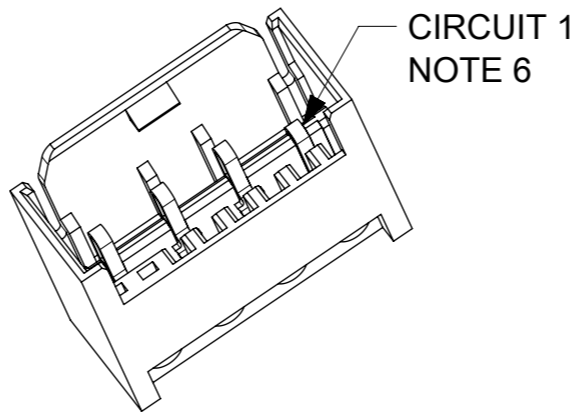
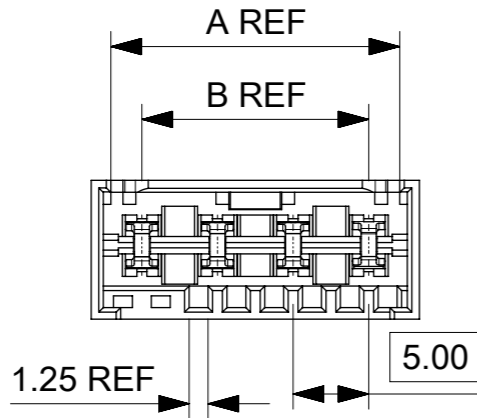
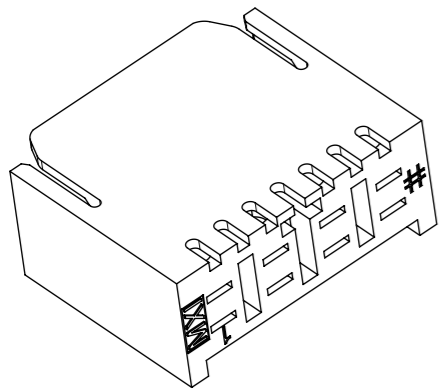
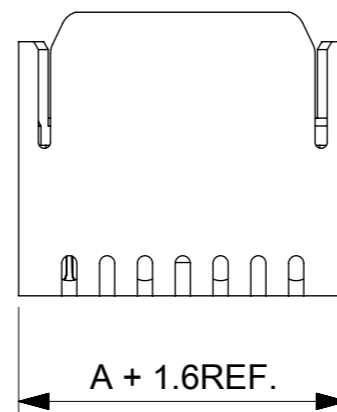
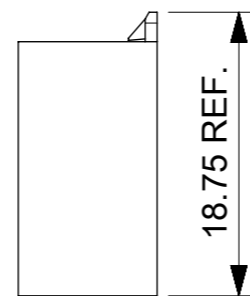
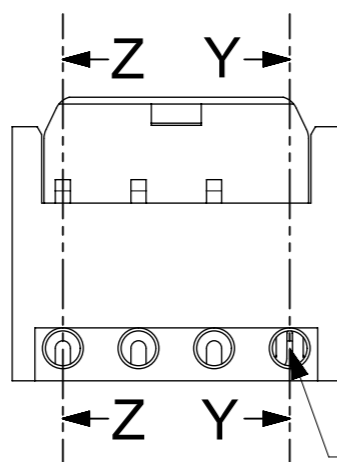
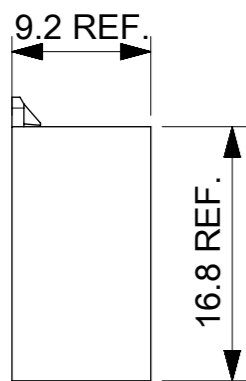


4 CIRCUIT CONNECTOR SHOWN



CKT	DIM A	DIM B	DIM C
2	10.1	5.0	9.2
3	15.1	10.0	11.7
4	20.1	15.0	14.2
5	25.1	20.0	16.7
6	30.1	25.0	19.2
7	35.1	30.0	21.7
8	40.1	35.0	24.2
9	45.1	40.0	26.7

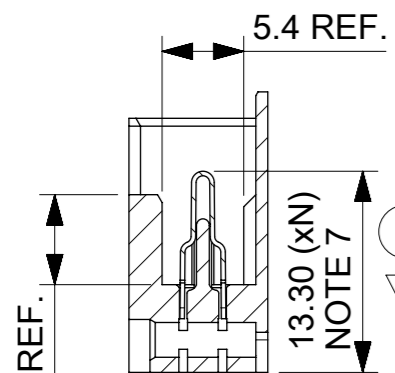


CIRCUIT 1
NOTE 6

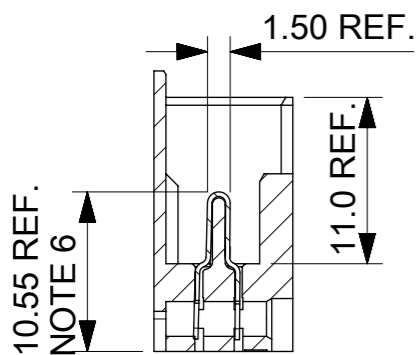
NOTES:

- MATERIALS
HOUSING: POLYAMIDE 6 (PA6)
UL94-V2. COLOUR NATURAL
TERMINAL: COPPER ALLOY
PLATING: PRE-PLATED HOT TIN DIP.
- PRODUCT CONFORMS TO SPECIFICATION PS-99020-0090.
- MATES WITH RAST 2.5 APPLIMATE FEMALE CONNECTORS.
- SEE PACKAGING SPECIFICATION PK-93422-001
- CONNECTOR DESIGNED TO RAST 2.5 STANDARD.
- TERMINATED HEIGHT. CIRCUIT 1 SHOWN IN TERMINATED POSITION ONLY FOR PURPOSE OF DIMENSIONING TERMINATED HEIGHT POSITION.
- TERMINAL PRE-TERMINATED HEIGHT. N=NUMBER OF CIRCUITS.
- SEE APPLICATION SPECIFICATION AS-99033-010.
- CONNECTOR DESIGNED TO RAST 2.5 STANDARD.

LAST INSPECTION NUMBER: 1



SECTION Z-Z



SECTION Y-Y

THIS DRAWING CONTAINS INFORMATION THAT IS PROPRIETARY TO MOLEX ELECTRONIC TECHNOLOGIES, LLC AND SHOULD NOT BE USED WITHOUT WRITTEN PERMISSION									
DIMENSION UNITS	SCALE	CURRENT REV DESC: DOC TYPE UPDATED							
mm	2:1								
GENERAL TOLERANCES (UNLESS SPECIFIED)									
ANGULAR TOL	± 0.5°	EC NO: 608137 DRWN: AKABADI 2018/11/23 CHK'D: TCLEARY 2018/12/10 APPR: DRYAN 2018/12/11							
4 PLACES	±	INITIAL REVISION: DRWN: TJMURPHY 2016/03/10 APPR: BRUTTLE 2016/06/13							
3 PLACES	±								
2 PLACES	± 0.05	DOCUMENT NUMBER				DOC TYPE DOC PART REVISION			
1 PLACE	± 0.1	934270001				PSD 000 D			
0 PLACES	±	DRAFT WHERE APPLICABLE MUST REMAIN WITHIN DIMENSIONS		THIRD ANGLE PROJECTION	DRAWING	SERIES	MATERIAL NUMBER	CUSTOMER	SHEET NUMBER
					A3-SIZE	93427	SEE CHARTS	GENERAL MARKET	1 OF 2

2 Circuit			
MOLEX PART NO.	MOLEX HSG PART NO.	BLOCKED POSITION KEYS	CONFIGURATION (SEE NOTES)
93427-0001	93430-0201	NONE	

5 Circuit			
MOLEX PART NO.	MOLEX HSG PART NO.	BLOCKED POSITION KEYS	CONFIGURATION (SEE NOTES)
93427-3001	93430-0501	NONE	

7 Circuit			
MOLEX PART NO.	MOLEX HSG PART NO.	BLOCKED POSITION KEYS	CONFIGURATION (SEE NOTES)
93427-5001	93430-0701	NONE	

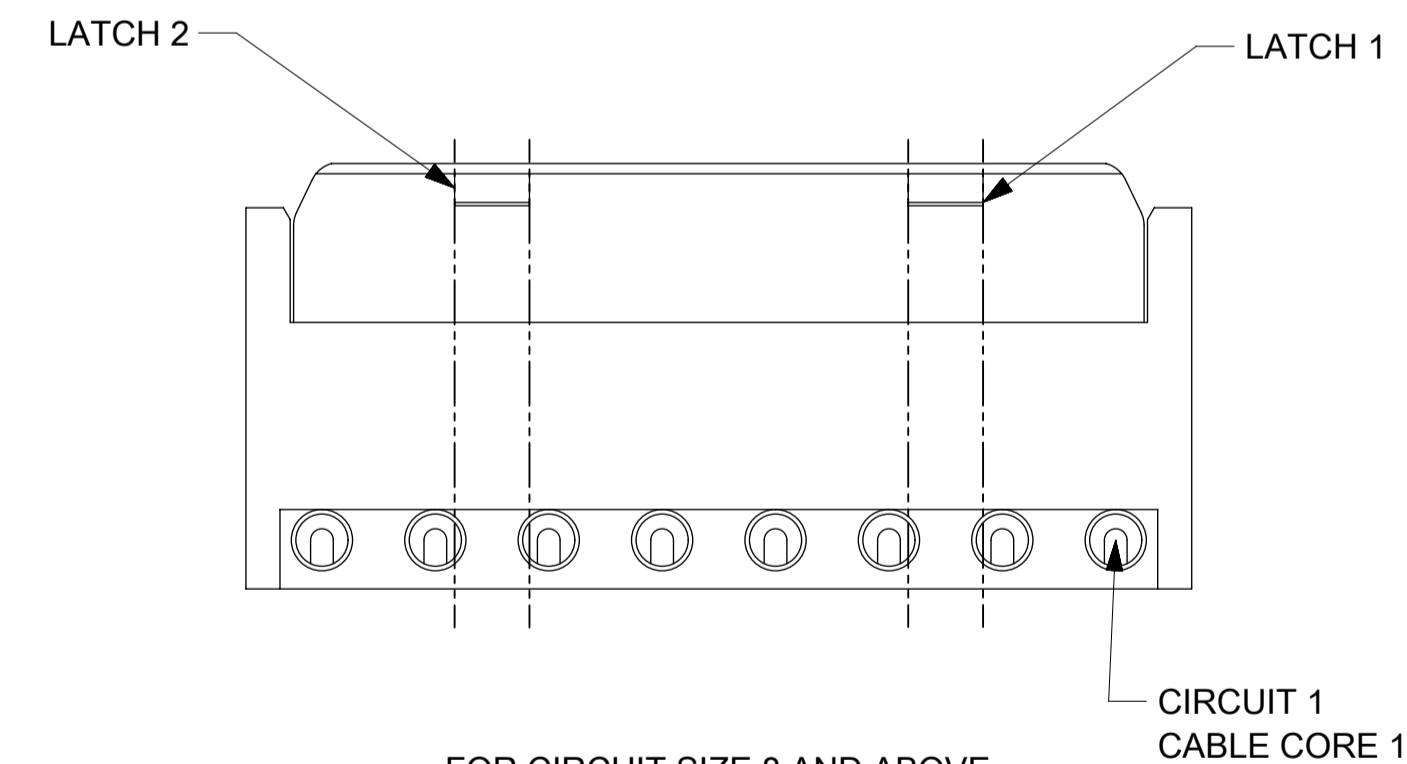
3 Circuit			
MOLEX PART NO.	MOLEX HSG PART NO.	BLOCKED POSITION KEYS	CONFIGURATION (SEE NOTES)
93427-1001	93430-0301	NONE	

6 Circuit			
MOLEX PART NO.	MOLEX HSG PART NO.	BLOCKED POSITION KEYS	CONFIGURATION (SEE NOTES)
93427-4001	93430-0601	NONE	

8 Circuit			
MOLEX PART NO.	MOLEX HSG PART NO.	BLOCKED POSITION KEYS	CONFIGURATION (SEE NOTES)
93427-6001	93430-0801	NONE	

4 Circuit				
MOLEX PART NO.	MOLEX HSG PART NO.	BLOCKED POSITION KEYS	CONFIGURATION (SEE NOTES)	CUSTOMER SPECIFIED VOIDED TERMINALS
93427-2001	93430-0401	NONE		NONE
93427-2002	93430-0401	NONE		2

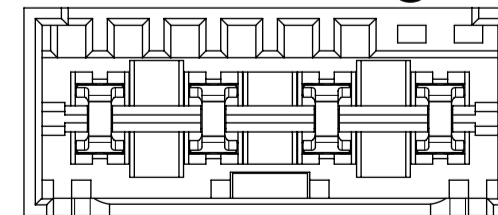
9 Circuit			
MOLEX PART NO.	MOLEX HSG PART NO.	BLOCKED POSITION KEYS	CONFIGURATION (SEE NOTES)
93427-7001	93430-0901	NONE	



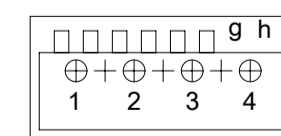
LATCH 2 POSITION BETWEEN CABLE CORES	LATCH 1 POSITION BETWEEN CABLE CORES	CIRCUIT SIZE
4 & 5	11 & 12	15
4 & 5	10 & 11	14
3 & 4	10 & 11	13
3 & 4	9 & 10	12
3 & 4	8 & 9	11
2 & 3	8 & 9	10
2 & 3	7 & 8	9
2 & 3	6 & 7	8

FOR CIRCUIT SIZE 8 AND ABOVE
2 LATCHES ARE PRESENT.
SEE TABLE BELOW FOR
POSITION OF LATCHES

abcdefgh



1 2 3 4
CODING EXAMPLE
(4ct EXAMPLE SHOWN WITH
KEYS g AND h BLOCKED)
VIEW IN MATING DIRECTION



NOTES:

- ⊕ DENOTES LOADED TERMINAL POSITION
+ DENOTES VOIDED TERMINAL POSITION
- MOLEX HOUSING NUMBER FOR REFERENCE ONLY

THIS DRAWING CONTAINS INFORMATION THAT IS PROPRIETARY TO MOLEX ELECTRONIC TECHNOLOGIES, LLC AND SHOULD NOT BE USED WITHOUT WRITTEN PERMISSION

DIMENSION UNITS	SCALE	CURRENT REV DESC: DOC TYPE UPDATED		molex		
mm	1:1			WIRE TO WIRE HEADER ASSEMBLY FLYING HEADER 5MM PITCH 0.5MM2 CABLE		
GENERAL TOLERANCES (UNLESS SPECIFIED)				PRODUCT CUSTOMER DRAWING		
ANGULAR TOL	± 0.5°	EC NO: 608137	2018/11/23	DOCUMENT NUMBER	DOC TYPE	REVISION
4 PLACES	±	DRWN: AKABADI	2018/12/10	934270001	PSD	000
3 PLACES	±	CHK'D: TCLEARY	2018/12/11			
2 PLACES	± 0.05	APPR: DRYAN	2018/12/11	INITIAL REVISION:		
1 PLACE	± 0.1	DRWN: TJMURPHY 2016/03/10		MATERIAL NUMBER		
0 PLACES	±	APPR: BRUTTLE 2016/06/13		CUSTOMER		
DRAFT WHERE APPLICABLE MUST REMAIN WITHIN DIMENSIONS		THIRD ANGLE PROJECTION	DRAWING	SERIES	SHEET NUMBER	
			A1-SIZE	93427	SEE CHARTS	2 OF 2
					GENERAL MARKET	