

1. 製品名称／PRODUCT NAME : 0.635 PITCH B-TO-B S/T PLUG HS'G ASSY EMBOSSED TAPE PACKAGING
 製品番号／PART NUMBER : 55091**30、55091**34
 55091**64、55091**74
 (**は極数を示す)
 (** SHOWS CIRCUITS SIZE)

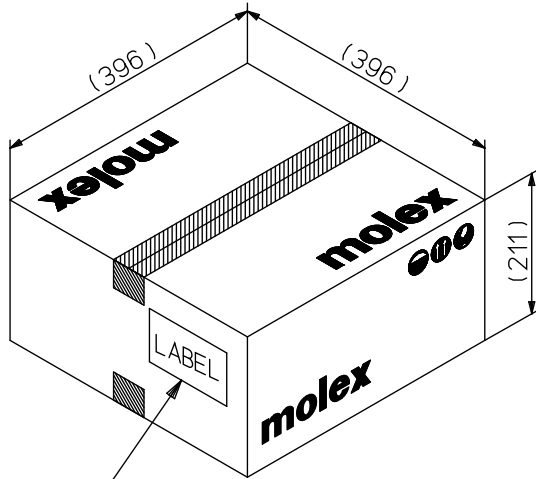
2. 標準梱包数／STANDARD PACK QUANTITY

極数 CKT. SIZE	キャリア テープ幅 (mm) CARRIER TAPE WIDTH (mm)	1 リール中の製品数 QTY. PER REEL	外装カートン SHIPPING CARTON	
			梱包リール数 NUMBER OF REELS	製品数 QUANTITY
20	24	1,000	6	6,000
30	32	1,000	4	4,000
40				
50	44	1,000	3	3,000
60				
70				
80				
90	56	1,000	3	3,000
100				
120	72	1,000	2	2,000
140				
160				
200	88	1,000	1	1,000

THIS DOCUMENT CONTAINS INFORMATION THAT IS PROPRIETARY TO MOLEX ELECTRONIC TECHNOLOGIES, LLC AND SHOULD NOT BE USED WITHOUT WRITTEN PERMISSION

REVISION DESCRIPTION	REVISED	SALES PACKAGING SPECIFICATION FOR 55091					
CHANGE NO.	697491						
REVISED BY	YTOKUZONO	DATE	2022/02/28	DOC TYPE	DOC TYPE DESCRIPTION	DOC PART	SERIES
REV APPR BY	KTAKAHASHI	DATE	2022/02/28	PS	ENGINEERING SPECIFICATION WORD	200	55091
INITIAL RELEASE				CUSTOMER	DOCUMENT NUMBER	REVISION	SHEET
INITIAL DRWN	TNAKAGAWA01	DATE	2016/04/28	GENERAL	550919200	D	1 OF 2
INITIAL APPR	YOITO	DATE	2016/04/28				

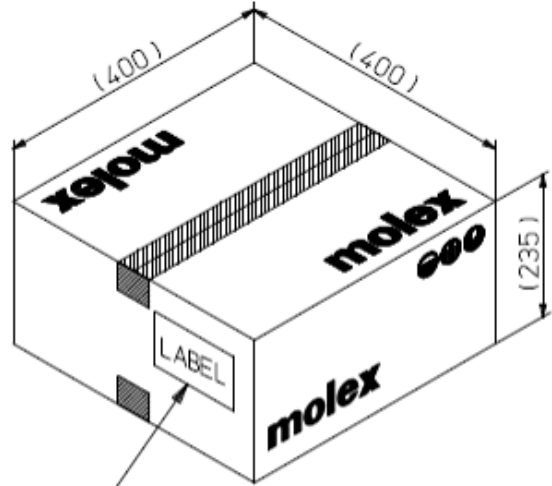
3. カートン外形参考寸法／CARTON OUTER DIMENSIONS (REFERENCE PURPOSE ONLY) 単位／UNIT: mm



カートンラベル
CARTON LABEL

(製品型番, 数量, ロットNO. 表示)
INDICATION OF PART No., QUANTITY, LOT No.

日本、マレーシア生産用カートン
Carton for production in Japan and Malaysia



カートンラベル
CARTON LABEL

(製品型番, 数量, ロットNO. 表示)
INDICATION OF PART No., QUANTITY, LOT No.

上海生産用カートン
Carton for production in Shanghai

THIS DOCUMENT CONTAINS INFORMATION THAT IS PROPRIETARY TO MOLEX ELECTRONIC TECHNOLOGIES, LLC AND SHOULD NOT BE USED WITHOUT WRITTEN PERMISSION

REVISION DESCRIPTION	REVISED			SALES PACKAGING SPECIFICATION FOR 55091			
CHANGE NO.	697491						
REVISED BY	YTOKUZONO	DATE	2022/02/28	DOC TYPE	DOC TYPE DESCRIPTION	DOC PART	SERIES
REV APPR BY	KTAKAHASHI	DATE	2022/02/28	PS	ENGINEERING SPECIFICATION WORD	200	55091
INITIAL RELEASE				CUSTOMER	DOCUMENT NUMBER	REVISION	SHEET
INITIAL DRWN	TNAKAGAWA01	DATE	2016/04/28	GENERAL	550919200	D	2 OF 2
INITIAL APPR	YOITO	DATE	2016/04/28				