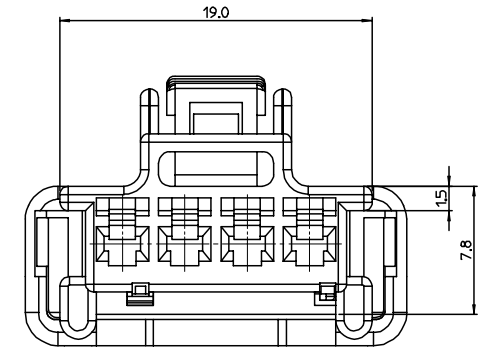
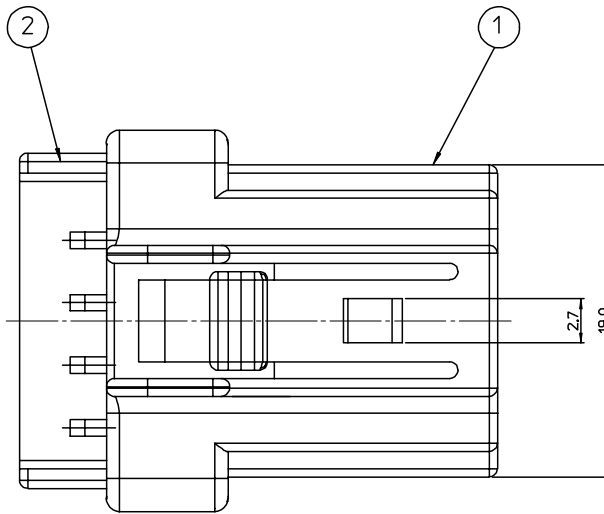
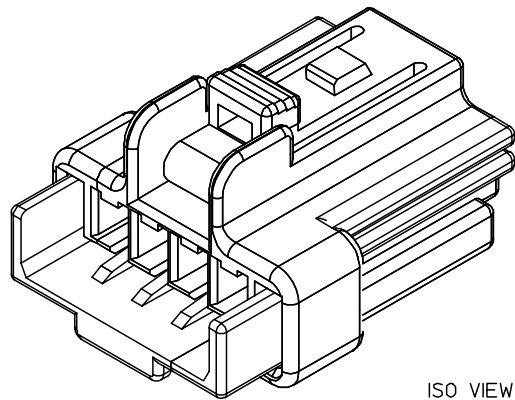
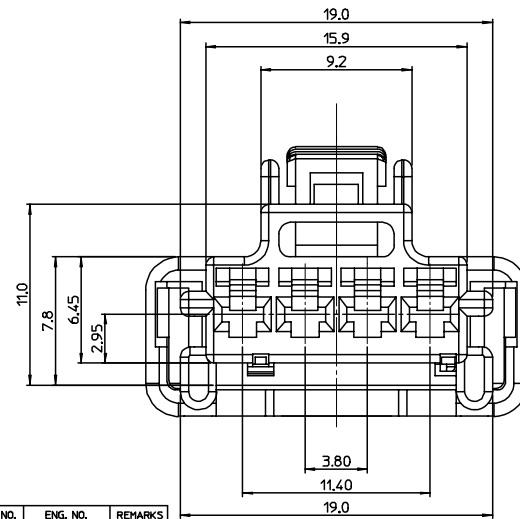
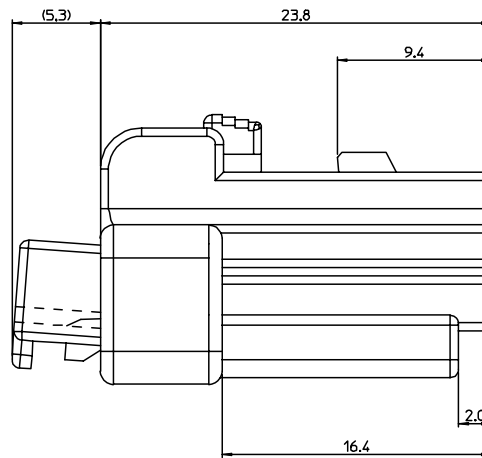
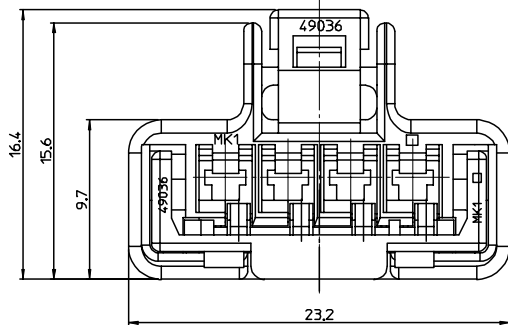


PROJECT NO. SD-49036-001
 SIMILAR ITEM
 DWG. NO. SD-49036-001
 DO NOT SCALE DRAWING
 DIMENSION IN METRIC



49036-0417



<NOTE>

1. MATERIAL : SEE TABLE
2. MATING CONNECTOR : 49035-0410/0417
3. APPLICABLE TERMINAL : 35421-6*02

NO.	PART NO.	PART NAME	MATERIAL	COLOR
1	(A) 49036-0490	.090 F/HSG 4P	POLYESTER	NATURAL
	(B) 49036-0495	.090 F/HSG 4P	POLYESTER	GRAY
	(C) 49036-0497	.090 F/HSG 4P	POLYESTER	BROWN
2	(D) 49036-0481	.090 F/TPA 4P	POLYESTER	BLACK

MATERIAL NO.	ENG. NO.	REMARKS						
490360410	49036-0410	(A) + (D)						
490360415	49036-0415	(B) + (D)						
490360417	49036-0417	(C) + (D)						
49036-0410/0415								
NEW RELEASED EEN NO. KOR2004-0092 DRAWNSHIP 04/01/27 CHK&C.YOON 04/01/27 APPROVEE	QUALITY SYMBOLS	GENERAL TOLERANCES (UNLESS SPECIFIED)	SCALE 5:1	DESIGN UNITS <input checked="" type="checkbox"/> MM <input type="checkbox"/> INCH	THIRD ANGLE PROJECTION <input checked="" type="checkbox"/> <input type="checkbox"/>	DIMENSIONS: <input type="checkbox"/> INCH <input type="checkbox"/> MM <input type="checkbox"/> ONLY	SHT 1	REV
	MAJOR	4 PLACES ±0.1 ±	DRAWN BY & DATE	TITLE				
	CRITICAL	3 PLACES ±0.2 ±	SMJM 03/12/10	.090-II W/W FEMALE HSG ASS'Y 4P				
		2 PLACES ±0.20 ±	CHECKED BY & DATE					
		1 PLACE ±0.30 ±	B.C.YOON 03/12/10					
REVISION	APPROVED BY & DATE	C.WLEE 03/12/10						
A	CAD FILENAME	SD49036.M	<input checked="" type="checkbox"/> MOLEX INCORPORATED MATERIAL NO. SEE TABLE DRAWING NO. SD-49036-001 SHEET NO. 1 OF 1					
DRAFT WHERE APPLICABLE MUST REMAIN WITHIN DIMENSIONS			THIS DRAWING CONTAINS INFORMATION THAT IS PROPRIETARY TO MOLEX INCORPORATED AND SHOULD NOT BE USED WITHOUT WRITTEN PERMISSION.					
			KOREA				MX-A2	