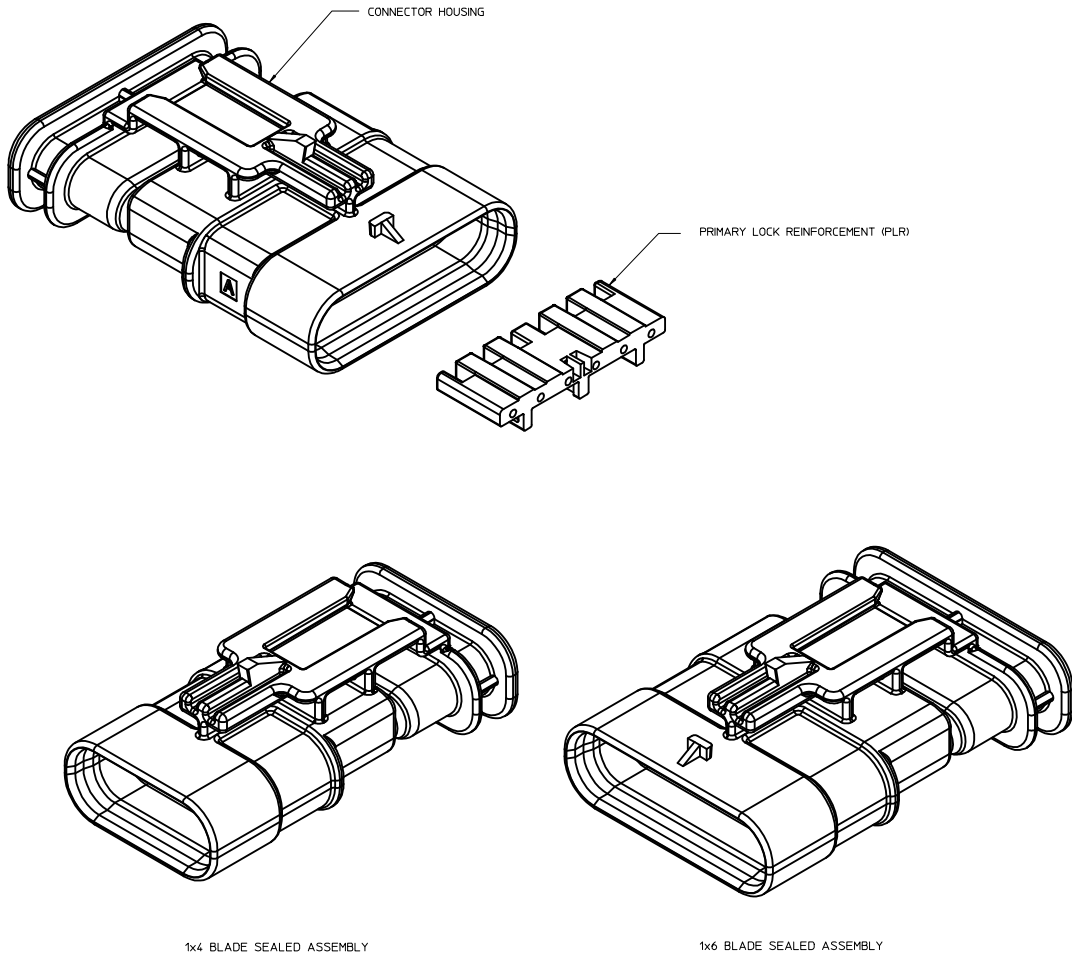


TABLE OF CONTENTS

SHEET NO.	SHEET DESCRIPTION
1	NOTES
2	1x4 BLADE SEALED ASSEMBLY KEYING CONFIGURATIONS
3	1x6 BLADE SEALED ASSEMBLY KEYING CONFIGURATIONS
4	CLIP SLOT CONFIGURATIONS
5	BLADE SEALED ASSEMBLY
6	CONNECTION SYSTEM PACKAGING
7	1x4 BLADE SEALED ASSEMBLY BOM SHEET
8	1x6 BLADE SEALED ASSEMBLY BOM SHEET



1x4 BLADE SEALED ASSEMBLY

1x6 BLADE SEALED ASSEMBLY

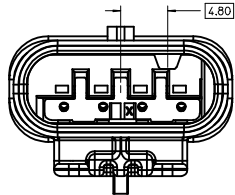
NOTES: VALID UNLESS OTHERWISE SPECIFIED

1. GENERAL:
 - a. APPLICATION SPECIFICATION SEE: AS-34900-0001
CONTAINS: PRODUCT INTRODUCTION, PRODUCT SUMMARY, CONNECTOR ASSEMBLY, PACKAGING INFORMATION, CONNECTOR MATING, SERVICE INSTRUCTIONS, ELECTRICAL CONTINUITY CHECKING, CRIMPING, AND TROUBLESHOOTING.
 - b. PRODUCT SPECIFICATION SEE: PS-34900-0001
CONTAINS: PRODUCT INTRODUCTION, PRODUCT SUMMARY, RATINGS (CURRENT, TEMPERATURE, SEALING, AND FLAMMABILITY), AND PRODUCT VALIDATION.
 - c. PACKAGING SPECIFICATION PER MOLEX DRAWING: PK-31301-898
 - d. PARTS MUST BE IN COMPLIANCE TO MOLEX CHEMICAL SUBSTANCES FOR PRODUCTS AND PACKAGING SPECIFICATION: ES-40000-5016
 - e. DATA MUST BE SUBMITTED UNDER THE MOLEX PART NUMBER TO IMDS (COMPANY ID#13255)
2. DESIGN - MATERIALS:
 - a. SEE BOM TABLE
3. DESIGN - GEOMETRY:
 - a. THIS IS A 100% CAD GENERATED PART. THE CAD MATHEMATICAL DATA IS THE MASTER FOR THIS PART. FOR DIMENSIONAL OR ANY INFORMATION NOT SHOWN ON THIS DRAWING, ANALYZE THE CAD MODEL.
 - b. GEOMETRIC DIMENSIONS AND TOLERANCES PER ASME Y14.5M - 1994
 - c. EDGES AND UNDIMENSIONED DETAILS PER ISO13715
 - d. CORNERS SHOWN AS SHARP TO BE R 0.2 MAX.
 - e. LETTERING SHALL BE 0.15 MAX RAISED IN 0.25 MAX RECESS PAD. THIS INCLUDES RECYCLING CODE, CAVITY ID, VENDOR IDENTIFICATION, AND CUSTOMER MATERIAL NUMBER.
 - f. VISUAL DEFECTS SHALL MEET COSMETIC STANDARD PS-45499-002 (Class B)
- g. LASER MARKING:
 1. PART NUMBER
 2. DAY OF THE YEAR
 3. SHIFT
 4. YEAR

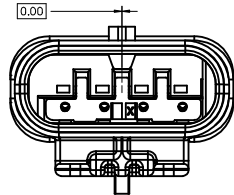
B8	1X4 40G CLIP-SLOT OK TO TOOL
B7	1X4 PART # UPDATED TO 'TOOLED BUT NOT VALIDATED'
B6	ADDED 40G CLIP-SLOT PART NUMBERS
B5	BOM CORRECTIONS AND UPDATES
B4	BOM CORRECTIONS AND UPDATES
B3	1x4, 1x6 NON-SIR PART# OK TO TOOL
B2	1x6 11mm CLIP SLOT PART # OK TO TOOL
B1	1x6 11mm CLIP SLOT PART NUMBERS ADDED
B	ADDED 1x4 INFORMATION
A	OK TO TOOL
REV	DESCRIPTION

INSPECTION BALLOON NUMBER LOG		SCALE		DESIGN UNITS		THIRD ANGLE PROJECTION			
PER DRAWING REVISION: A		4:1		METRIC					
LAST BALLOON NUMBER USED: 29						TITLE			
ADDED BALLOON NUMBERS:						12MM 1X4, 1X6 BLADE SEALED ASSEMBLY CABLE SEAL			
REMOVED BALLOON NUMBERS:									
ENTER DESCRIPTION CAD NO: UAU2015-1466 DRAWN: MVANSLAMBROU 2015/03/27 ELEC: DRW: MVANSLAMBROU 2015/03/27 CHKD: 2015/04/13 APPR: VKOSHY		QUALITY SYMBOLS ▽=0 ▽=0 ▽=0		GENERAL TOLERANCES (UNLESS SPECIFIED): mm INCH 4 PLACES ±--- ±--- 3 PLACES ±--- ±--- 2 PLACES ±0.10 ±--- 1 PLACE ±0.20 ±--- 0 PLACE ±0.50 ±--- ANGULAR ± 3 ° DRAFT WHERE APPLICABLE MUST REMAIN WITHIN DIMENSIONS		DIMENSION STYLE MM ONLY DRAWN BY: MVANSLAMBROU 2012/07/13 DATE: 2012/07/13 CHECKED BY: VKOSHY 2012/07/19 DATE: 2012/07/19 APPROVED BY: VKOSHY 2012/07/24 DATE: 2012/07/24		MATERIAL NO. SEE BOM DOCUMENT NO. SD-34899-6001 SHEET NO. 1 OF 8	
REV B8		SIZE D		THIS DRAWING CONTAINS INFORMATION THAT IS PROPRIETARY TO MOLEX INCORPORATED AND SHOULD NOT BE USED WITHOUT WRITTEN PERMISSION					

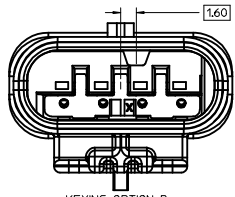
1x4 BLADE SEALED ASSEMBLY KEYING CONFIGURATIONS. FOR PART NUMBERS REFER TO BOM SHEET.



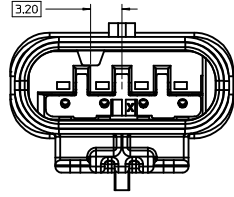
KEYING OPTION A



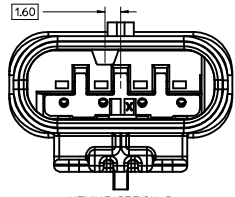
KEYING OPTION F



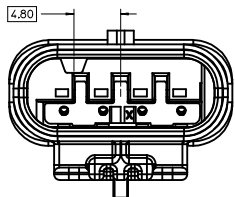
KEYING OPTION B



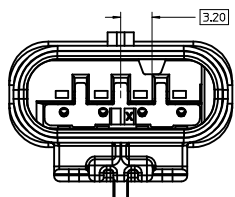
KEYING OPTION G



KEYING OPTION C



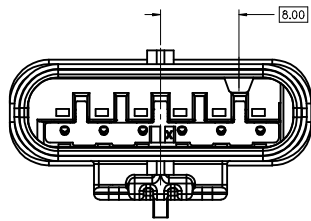
KEYING OPTION D



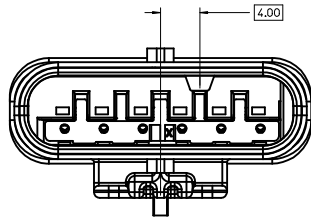
KEYING OPTION E

ENTER DESCRIPTION IEC NO. UAU2015-1466 DRAWN BY MYANSLAMBROU 2015/03/27 CHKD. MYANSLAMBROU APPR. VKOSHY 2015/04/13 REVISIONS:	QUALITY SYMBOLS	GENERAL TOLERANCES (UNLESS SPECIFIED)	DIMENSION STYLE	SCALE	DESIGN UNITS	THIRD ANGLE PROJECTION
	▽=0	mm INCH	MM ONLY	4:1	METRIC	☉
	▽=0	4 PLACES ± --- ± ---	DRAWN BY DATE	TITLE		
	▽=0	3 PLACES ± --- ± ---	MYANSLAMBROU 2012/07/13	1.2MM 1X4, 1X6 BLADE SEALED ASSEMBLY CABLE SEAL		
	2 PLACES ± 0.10 ± ---	CHECKED BY DATE	MATERIAL NO.			SHEET NO.
	1 PLACE ± 0.20 ± ---	VKOSHY 2012/07/19	SEE BOM			2 OF 8
	0 PLACE ± 0.50 ±	APPROVED BY DATE	DOCUMENT NO.			
		VKOSHY 2012/07/24	SD-34899-6001			
		ANGULAR ± 3 °	THIS DRAWING CONTAINS INFORMATION THAT IS PROPRIETARY TO MOLEX INCORPORATED AND SHOULD NOT BE USED WITHOUT WRITTEN PERMISSION			
		DRAFT WHERE APPLICABLE MUST REMAIN WITHIN DIMENSIONS				

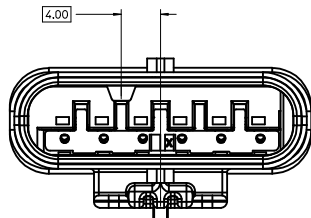
1x6 BLADE SEALED ASSEMBLY KEYING CONFIGURATIONS. FOR PART NUMBERS REFER TO BOM SHEET.



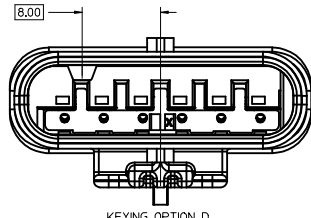
KEYING OPTION A



KEYING OPTION B



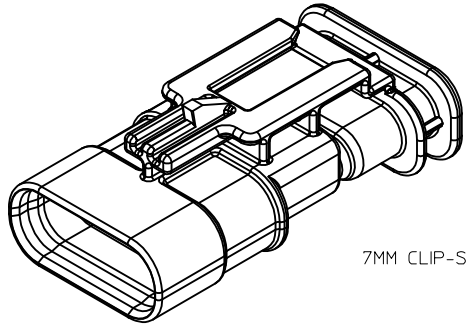
KEYING OPTION C



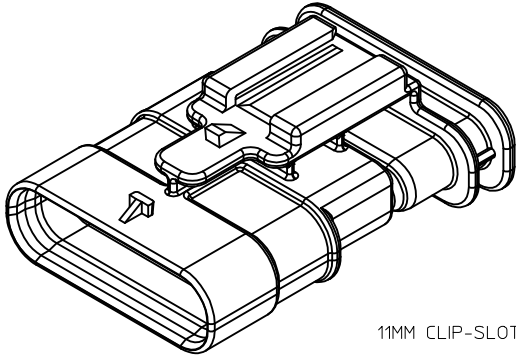
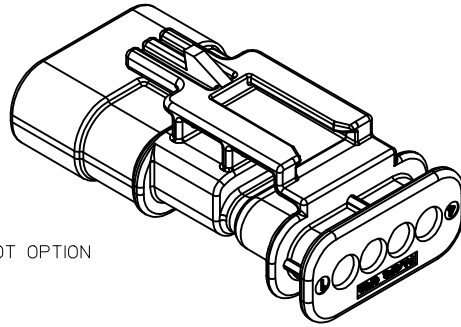
KEYING OPTION D

ENTER DESCRIPTION IEC NO. UAU2015-1466 DRAWN BY MYANSLAMBROU 2015/03/27 CHKD: APPR: VKOSHY 2015/04/13 REV:	QUALITY SYMBOLS	GENERAL TOLERANCES (UNLESS SPECIFIED)	DIMENSION STYLE	SCALE	DESIGN UNITS	THIRD ANGLE PROJECTION
	▽=0	mm INCH	MM ONLY	4:1	METRIC	☉
	▽=0	4 PLACES ± --- ± ---	DRAWN BY DATE			TITLE
	▽=0	3 PLACES ± --- ± ---	MYANSLAMBROU 2012/07/13			12MM 1X4, 1X6 BLADE SEALED ASSEMBLY CABLE SEAL
	2 PLACES ± 0.10 ± ---	CHECKED BY DATE				
	1 PLACE ± 0.20 ± ---	VKOSHY 2012/07/19				
	0 PLACE ± 0.50 ±	APPROVED BY DATE				
		VKOSHY 2012/07/24				
		ANGULAR ± 3 °	MATERIAL NO.		DOCUMENT NO.	SHEET NO.
		DRAFT WHERE APPLICABLE MUST REMAIN WITHIN DIMENSIONS	SEE BOM		SD-34899-6001	3 OF 8
			SIZE D	THIS DRAWING CONTAINS INFORMATION THAT IS PROPRIETARY TO MOLEX INCORPORATED AND SHOULD NOT BE USED WITHOUT WRITTEN PERMISSION		

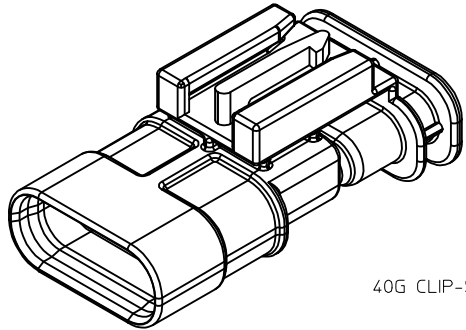
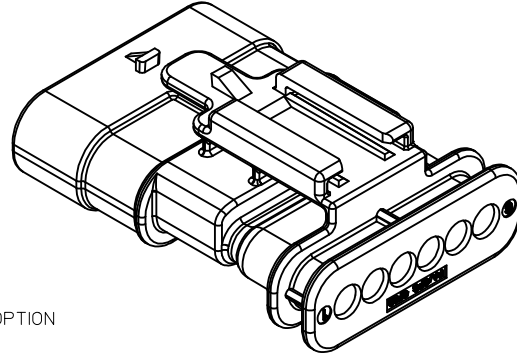
CLIP-SLOT CONFIGURATIONS. FOR PART NUMBERS REFER TO BOM SHEET.



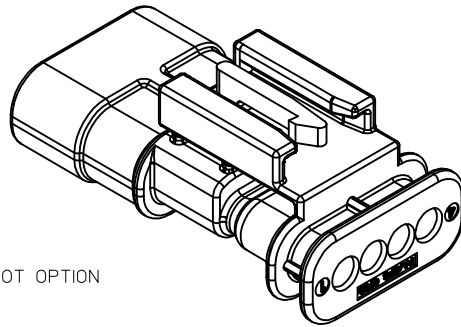
7MM CLIP-SLOT OPTION



11MM CLIP-SLOT OPTION

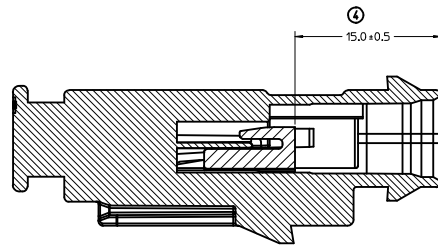
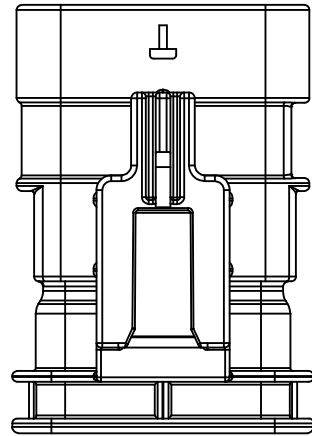
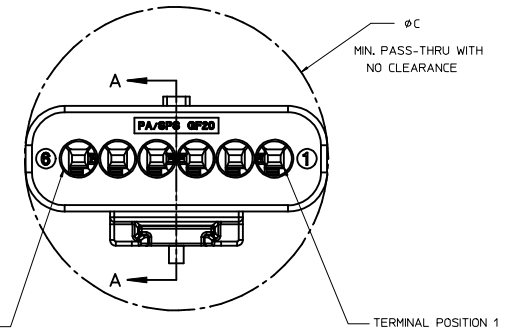
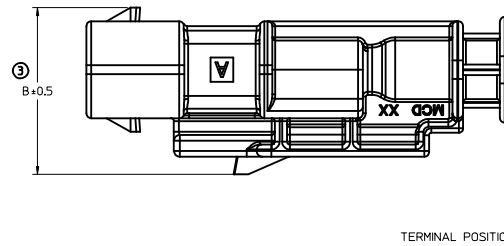
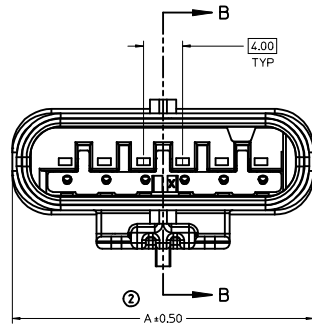
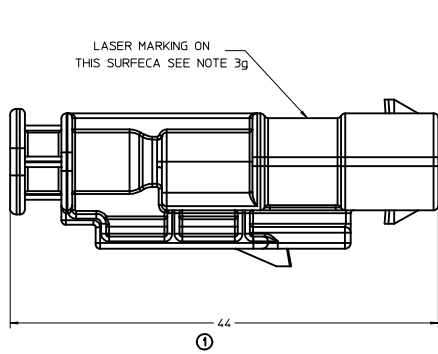


40G CLIP-SLOT OPTION



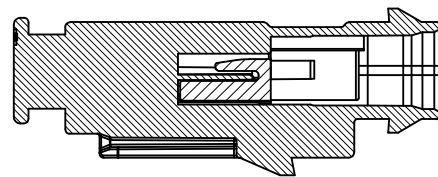
ENTER DESCRIPTION IEC NO. UAU2015-1466 DRAWN BY MYANSLAMBROU 2015/03/27 CHKD: MYANSLAMBROU 2015/03/27 APPR: VKOSHY 2015/04/13	QUALITY SYMBOLS	GENERAL TOLERANCES (UNLESS SPECIFIED)		DIMENSION STYLE	SCALE	DESIGN UNITS	THIRD ANGLE PROJECTION
	▽=0	mm	INCH	MM ONLY	4:1	METRIC	☉
	▽=0	4 PLACES ± 0.10	3 PLACES ± 0.20	DATE	DATE	TITLE	
	▽=0	2 PLACES ± 0.20	1 PLACE ± 0.50	DATE	DATE	12MM 1X4, 1X6 BLADE SEALED ASSEMBLY CABLE SEAL	
	ANGULAR ± 3 °		DRAFT WHERE APPLICABLE MUST REMAIN WITHIN DIMENSIONS		MATERIAL NO. SEE BOM		DOCUMENT NO. SD-34899-6001
			SIZE D		SHEET NO. 4 OF 8		

BLADE SEALED ASSEMBLY



SECTION B-B

PRIMARY LOCK REINFORCEMENT (PLR) SHOWN IN THE PRE-STAGED POSITION



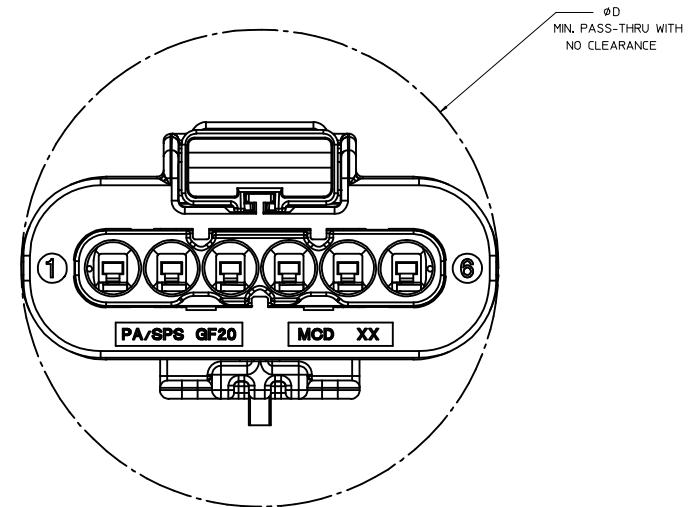
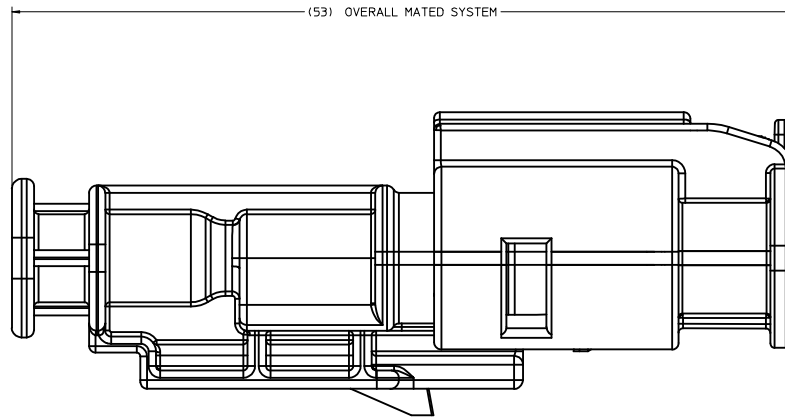
SECTION A-A

PRIMARY LOCK REINFORCEMENT (PLR) SHOWN IN THE FINAL-LOCK POSITION

1x6 BLADE SEALED ASSEMBLY, 40G CLIP SLOT	TBD	TBD	TBD
1x6 BLADE SEALED ASSEMBLY, 11mm CLIP SLOT	31	16.0	32.00
1x6 BLADE SEALED ASSEMBLY, 7mm CLIP SLOT	31	17.0	32.00
1x4 BLADE SEALED ASSEMBLY, 40G CLIP SLOT	TBD	TBD	TBD
1x4 BLADE SEALED ASSEMBLY, 11mm CLIP SLOT	TBD	TBD	TBD
1x4 BLADE SEALED ASSEMBLY, 7mm CLIP SLOT	23	17.0	24.00
CONFIGURATION	A	B	C
CHARTED DIMENSIONS			

ENTER DESCRIPTION IEC NO. UAU2015-1466 DRAWN BY MYANSLAMBROU 2015/03/27 CHKD: CHYK APPR: VKOSHY 2015/04/13	QUALITY SYMBOLS	GENERAL TOLERANCES (UNLESS SPECIFIED)	DIMENSION STYLE	SCALE	DESIGN UNITS	THIRD ANGLE PROJECTION
	∇=0 ∇=0 ∇=0	mm INCH 4 PLACES ± --- ± --- 3 PLACES ± --- ± --- 2 PLACES ± 0.10 ± --- 1 PLACE ± 0.20 ± --- 0 PLACE ± 0.50 ±	MM ONLY	4:1	METRIC	
	DRAFT WHERE APPLICABLE MUST REMAIN WITHIN DIMENSIONS	ANGULAR ± 3 ° DRAFT WHERE APPLICABLE MUST REMAIN WITHIN DIMENSIONS	DRAWN BY DATE MYANSLAMBROU 2012/07/13 CHECKED BY DATE VKOSHY 2012/07/19 APPROVED BY DATE VKOSHY 2012/07/24	MATERIAL NO. SEE BOM	DOCUMENT NO. SD-34899-6001	TITLE 12MM 1X4, 1X6 BLADE SEALED ASSEMBLY CABLE SEAL
	SIZE D	THIS DRAWING CONTAINS INFORMATION THAT IS PROPRIETARY TO MOLEX INCORPORATED AND SHOULD NOT BE USED WITHOUT WRITTEN PERMISSION				SHEET NO. 5 OF 8

CONNECTION SYSTEM PACKAGING



1x6 RECEPTACLE MATED TO 1x6 BLADE, 40 CLIP SLOT	TBD
1x6 RECEPTACLE MATED TO 1x6 BLADE, 11mm CLIP SLOT	33.5
1x6 RECEPTACLE MATED TO 1x6 BLADE, 7mm CLIP SLOT	33.5
1x4 RECEPTACLE MATED TO 1x4 BLADE, 40G CLIP SLOT	TBD
1x4 RECEPTACLE MATED TO 1x4 BLADE, 11mm CLIP SLOT	TBD
1x4 RECEPTACLE MATED TO 1x4 BLADE, 7mm CLIP SLOT	25.50
1.2mm CONNECTION SYSTEM CONFIGURATION	D
CHARTED DIMENSIONS	

ENTER DESCRIPTION IEC NO. UAU2015-1466 DRAWN BY MYANSLAMBROU 2012/07/27 CHKD: CHYD: APPR: VKOSHY 2015/04/13 REV:	QUALITY SYMBOLS	GENERAL TOLERANCES (UNLESS SPECIFIED)	DIMENSION STYLE	SCALE	DESIGN UNITS	THIRD ANGLE PROJECTION	
	∇=0 ∇=0 ∇=0	mm INCH 4 PLACES ± --- ± --- 3 PLACES ± --- ± --- 2 PLACES ± 0.10 ± --- 1 PLACE ± 0.20 ± --- 0 PLACE ± 0.50 ±	MM ONLY	6:1	METRIC	☉ ▽ PROJECTION	
	DRAFT WHERE APPLICABLE MUST REMAIN WITHIN DIMENSIONS	ANGULAR ± 3 ° DRAFT WHERE APPLICABLE MUST REMAIN WITHIN DIMENSIONS	DRAWN BY DATE MYANSLAMBROU 2012/07/13 CHECKED BY DATE VKOSHY 2012/07/19 APPROVED BY DATE VKOSHY 2012/07/24	MATERIAL NO. SEE BOM	DOCUMENT NO. SD-34899-6001	TITLE 1.2MM 1X4, 1X6 BLADE SEALED ASSEMBLY CABLE SEAL molex	SHEET NO. 6 OF 8
	SIZE D	THIS DRAWING CONTAINS INFORMATION THAT IS PROPRIETARY TO MOLEX INCORPORATED AND SHOULD NOT BE USED WITHOUT WRITTEN PERMISSION					

1x6 BLADE SEALED ASSEMBLY BOM SHEET 1

Table with 4 columns: KEYING OPTION, ASSEMBLY DESCRIPTION, ASSEMBLY PART NUMBER, CONCEPT, PRODUCTION TOOL STATUS, and COMMENTS. Contains 15 rows of assembly options.

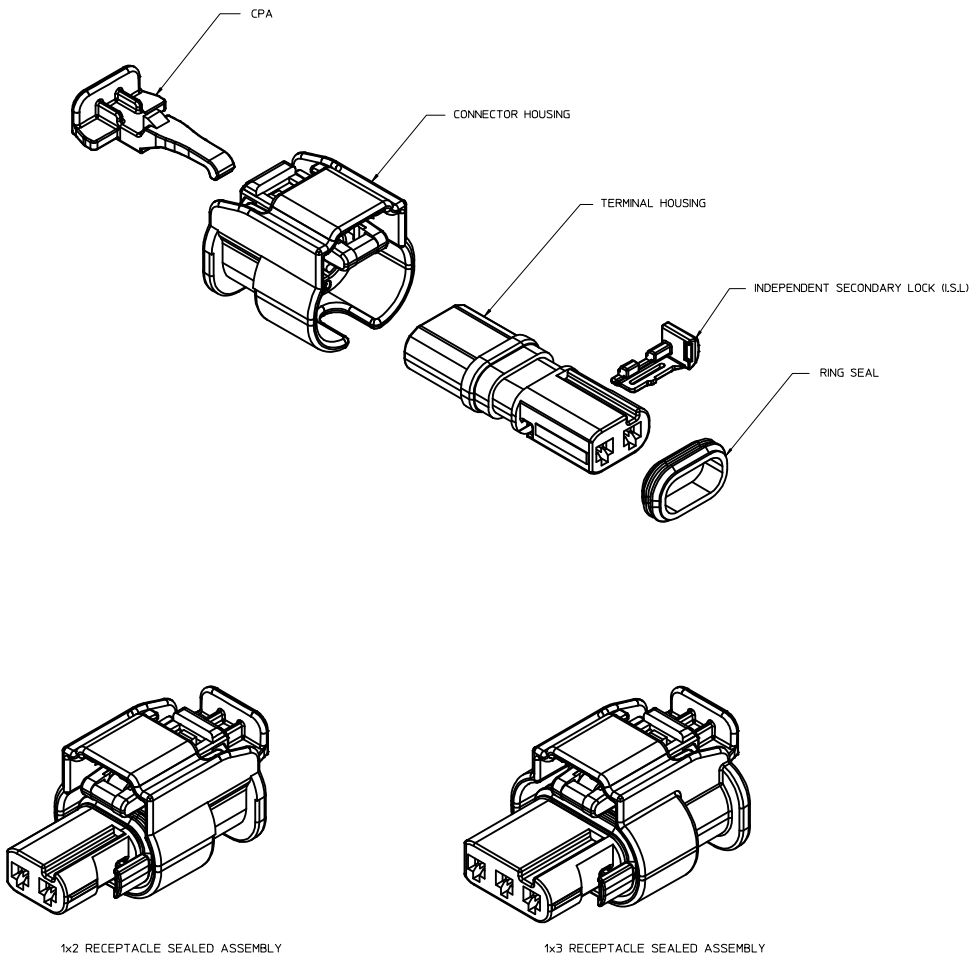
Table with 3 columns: DESCRIPTION, COLOR, and MATERIAL. Lists 20 connector housing variants with their respective colors and materials (e.g., BLACK, YELLOW, STONE GRAY).

LEGEND TABLE with 2 columns: ABBREVIATION and COMPONENT. Lists options A, B, C, D, and PLR.

Technical specification block containing: ENTER DESCRIPTION, IEC NO., DRAWN BY, CHKD., APPR., REV., QUALITY SYMBOLS, GENERAL TOLERANCES (UNLESS SPECIFIED), DIMENSION STYLE (MM ONLY), SCALE (2:1), DESIGN UNITS (METRIC), THIRD ANGLE PROJECTION, DRAWN BY, DATE, CHECKED BY, DATE, APPROVED BY, DATE, MATERIAL NO., SEE BOM, DOCUMENT NO., SD-34899-6001, and SHEET NO. 8 OF 8.

TABLE OF CONTENTS

SHEET NO.	SHEET DESCRIPTION
1	NOTES
2	1x2 RECEPTACLE SEALED ASSEMBLY KEYING CONFIGURATIONS
3	1x3 RECEPTACLE SEALED ASSEMBLY KEYING CONFIGURATIONS
4	RECEPTACLE SEALED ASSEMBLY
5	1x2 RECEPTACLE SEALED ASSEMBLY BOM SHEET 1
6	1x3 RECEPTACLE SEALED ASSEMBLY BOM SHEET 1



NOTES: VALID UNLESS OTHERWISE SPECIFIED

1. GENERAL:
a. APPLICATION SPECIFICATION SEE: AS-34900-0001
CONTAINS: PRODUCT INTRODUCTION, PRODUCT SUMMARY, CONNECTOR ASSEMBLY, PACKAGING INFORMATION, CONNECTOR MATING, SERVICE INSTRUCTIONS, ELECTRICAL CONTINUITY CHECKING, CRIMPING, AND TROUBLESHOOTING.
b. PRODUCT SPECIFICATION SEE: PS-34900-0001
CONTAINS: PRODUCT INTRODUCTION, PRODUCT SUMMARY, RATINGS (CURRENT, TEMPERATURE, SEALING, AND FLAMMABILITY), AND PRODUCT VALIDATION.
c. PACKAGING SPECIFICATION PER MOLEX DRAWING: PK-31301-898
d. PARTS MUST BE IN COMPLIANCE TO MOLEX CHEMICAL SUBSTANCES FOR PRODUCTS AND PACKAGING SPECIFICATION: ES-40000-5016
e. DATA MUST BE SUBMITTED UNDER THE MOLEX PART NUMBER TO IMDS (COMPANY ID#13255)
f. DESIGNED TO MATE WITH DEVICE CONNECTION AS SPECIFIED IN BOM CHART. USCAR DRAWINGS AND MODELS ARE AVAILABLE AT <http://ewcapuscarteams.org/>.

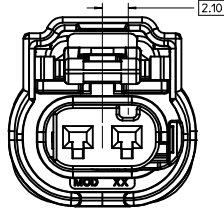
2. DESIGN - MATERIALS:
a. SEE BOM TABLE

3. DESIGN - GEOMETRY:
a. THIS IS A 100% CAD GENERATED PART. THE CAD MATHEMATICAL DATA IS THE MASTER FOR THIS PART. FOR DIMENSIONAL OR ANY INFORMATION NOT SHOWN ON THIS DRAWING, ANALYZE THE CAD MODEL.
b. GEOMETRIC DIMENSIONS AND TOLERANCES PER ASME Y14.5M - 1994
c. EDGES AND UNDIMENSIONED DETAILS PER ISO13715
d. CORNERS SHOWN AS SHARP TO BE R 0.2 MAX.
e. LETTERING SHALL BE 0.15 MAX RAISED IN 0.25 MAX RECESS PAD. THIS INCLUDES RECYCLING CODE, CAVITY ID, VENDOR IDENTIFICATION, AND CUSTOMER MATERIAL NUMBER.
f. VISUAL DEFECTS SHALL MEET COSMETIC STANDARD PS-45499-002 (Class B) AND CUSTOMER MATERIAL NUMBER.
g. LASER MARKING:
1. PART NUMBER
2. DAY OF THE YEAR
3. SHIFT
4. YEAR

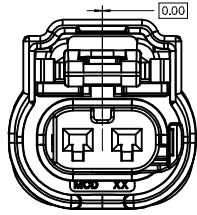
REV	DESCRIPTION
A9	1X2 AND 1X3 PART # STATUS UPDATED DIMENSION 2 UPDATED
A8	1X2 PART # UPDATED TO "TOOLED BUT NOT VALIDATED"
A7	1X2 PART # UPDATED TO "TOOLED BUT NOT VALIDATED"
A6	ADDED NEW PART NUMBERS FOR LATCH IMPROVEMENT
A5	BOM CORRECTIONS AND UPDATES
A4	BOM CORRECTIONS AND UPDATES
A3	1x2, 1x3 NON-SIR OK TO TOOL
A2	MINOR BOM CORRECTIONS
A1	ADDED COMPONENTS TO BOM
A	ADDED BLACK PART NUMBERS AND MINOR BOM UPDATES
3	ADDED 1x3
2	MINOR BOM CORRECTIONS
1	INITIAL RELEASE

ENTER DESCRIPTION IEC NO: UAU2015-1604 DRAWN BY: SHINAWO1 2015/04/24 CHKD: APPR: WJOSHY DATE: 2015/04/29	QUALITY SYMBOLS ∇=0 ∇=0 ∇=0	GENERAL TOLERANCES (UNLESS SPECIFIED)		DIMENSION STYLE MM ONLY		SCALE 4:1	DESIGN UNITS METRIC	THIRD ANGLE PROJECTION
		4 PLACES ±--- ±--- 3 PLACES ±--- ±--- 2 PLACES ±0.10 ±--- 1 PLACE ±0.20 ±--- 0 PLACE ±0.50 ±	mm INCH ±--- ±--- ±--- ±--- ±--- ±--- ±--- ±---	DRAWN BY MYANSLAMBROU 2012/02/15	DATE 2012/02/15	CHECKED BY DATE	DATE 2012/12/13	TITLE 12MM 1X2, 1X3 RECP. SEALED ASSEMBLY CABLE SEAL
DRAFT WHERE APPLICABLE MUST REMAIN WITHIN DIMENSIONS		ANGULAR ± 3 °		APPROVED BY GGA 2012/12/13		MATERIAL NO. SEE TABLE	DOCUMENT NO. SD-34900-2001	SHEET NO. 1 OF 6
THIS DRAWING CONTAINS INFORMATION THAT IS PROPRIETARY TO MOLEX INCORPORATED AND SHOULD NOT BE USED WITHOUT WRITTEN PERMISSION								

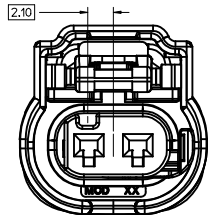
1x2 RECEPTACLE SEALED ASSEMBLY KEYING CONFIGURATIONS. FOR PART NUMBERS REFER TO BOM SHEET.



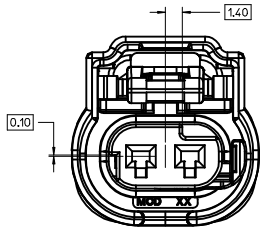
KEYING OPTION A



KEYING OPTION B



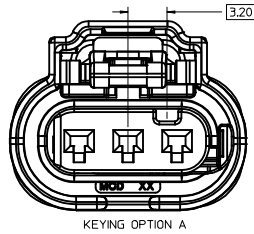
KEYING OPTION C



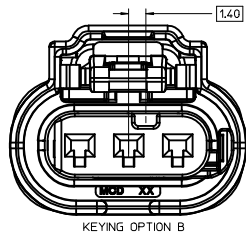
KEYING OPTION E

ENTER DESCRIPTION IEC NO. UAU2015-1604 DRAWN BY SHANU1 2015/01/24 CHKD: APPR:VKOSHY 2015/01/29	QUALITY SYMBOLS ▽=0 ▽=0 ▽=0	GENERAL TOLERANCES (UNLESS SPECIFIED)		DIMENSION STYLE MM ONLY	SCALE 5:1	DESIGN UNITS METRIC	THIRD ANGLE PROJECTION		
		4 PLACES ± --- ± --- 3 PLACES ± --- ± --- 2 PLACES ± 0.10 ± --- 1 PLACE ± 0.20 ± --- 0 PLACE ± 0.50 ±	mm INCH	DRAWN BY DATE MYANSLAMBROU 2012/02/15	CHECKED BY DATE	TITLE 12MM 1X2. 1X3 RECPT. SEALED ASSEMBLY CABLE SEAL			
DRAFT WHERE APPLICABLE MUST REMAIN WITHIN DIMENSIONS		ANGULAR ± 3 °		APPROVED BY DATE GGA 2012/12/13	MATERIAL NO. DOCUMENT NO.			SHEET NO.	
SIZE D				SEE BOM				SD-34900-2001	2 OF 6
THIS DRAWING CONTAINS INFORMATION THAT IS PROPRIETARY TO MOLEX INCORPORATED AND SHOULD NOT BE USED WITHOUT WRITTEN PERMISSION								molex	

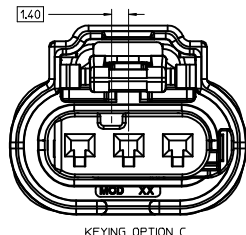
1x3 RECEPTACLE SEALED ASSEMBLY KEYING CONFIGURATIONS. FOR PART NUMBERS REFER TO BOM SHEET.



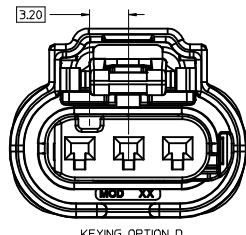
KEYING OPTION A



KEYING OPTION B

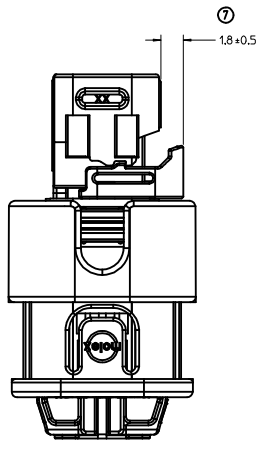
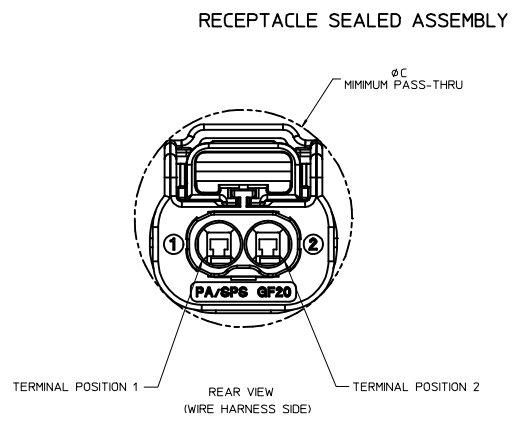
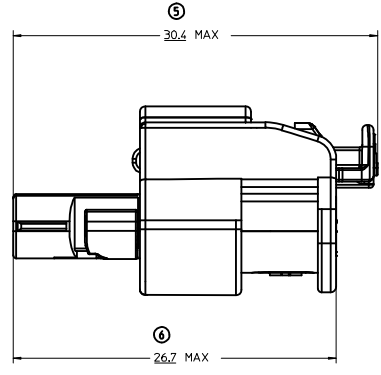
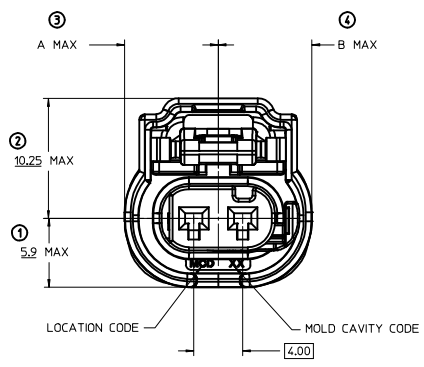
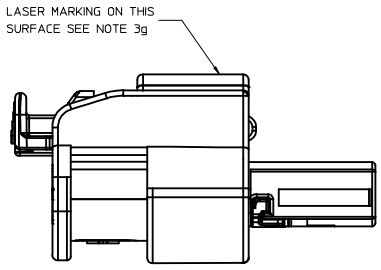


KEYING OPTION C

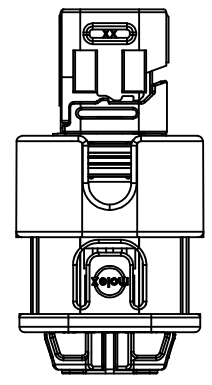


KEYING OPTION D

ENTER DESCRIPTION IEC NO. UAU2015-1604 DRAWN BY SHANU1 2015/01/24 CHKD: APPR:VKOSHY 2015/01/29	QUALITY SYMBOLS ▽=0 ▽=0 ▽=0	GENERAL TOLERANCES (UNLESS SPECIFIED)		DIMENSION STYLE MM ONLY	SCALE 5:1	DESIGN UNITS METRIC	THIRD ANGLE PROJECTION
		4 PLACES ± 0.10 ± 0.10 3 PLACES ± 0.10 ± 0.10 2 PLACES ± 0.10 ± 0.10 1 PLACE ± 0.20 ± 0.20 0 PLACE ± 0.50 ± 0.50	mm INCH ± 0.10 ± 0.10 ± 0.10 ± 0.10 ± 0.10 ± 0.10 ± 0.20 ± 0.20 ± 0.50 ± 0.50	DRAWN BY DATE MYANSLAMBROU 2012/02/15	CHECKED BY DATE	TITLE 12MM 1X2, 1X3 RECPT. SEALED ASSEMBLY CABLE SEAL	APPROVED BY DATE GGA 2012/12/13
DRAFT WHERE APPLICABLE MUST REMAIN WITHIN DIMENSIONS		ANGULAR ± 3 °		SIZE D		SHEET NO. 3 OF 6	



INDEPENDENT SECONDARY LOCK (ISL)
SHOWN IN THE PRE-STAGED POSITION



INDEPENDENT SECONDARY LOCK (ISL)
SHOWN IN THE FINAL-LOCK POSITION

1x3 RECEPTACLE SEALED ASSEMBLY	10.0	10.0	20.75
1x2 RECEPTACLE SEALED ASSEMBLY	8.0	8.0	18.75
CONFIGURATION	A	B	C
CHARTED DIMENSIONS			

ENTER DESCRIPTION IEC NO: UAU2015-1604 DRAWN/KRI SHINANOI 2015/04/24 CHKD: APPR: IKOSHIY 2015/04/29 REV:	QUALITY SYMBOLS	GENERAL TOLERANCES (UNLESS SPECIFIED)	DIMENSION STYLE	SCALE	DESIGN UNITS	THIRD ANGLE PROJECTION
	▽=0	mm INCH	MM ONLY	5:1	METRIC	☉
	▽=0	4 PLACES ± --- ± ---	DRAWN BY DATE			
	▽=0	3 PLACES ± --- ± ---	MYANSLAMBROU 2012/02/15			
	2 PLACES ± 0.10 ± ---	CHECKED BY DATE				
	1 PLACE ± 0.20 ± ---	APPROVED BY DATE				
	0 PLACE ± 0.50 ±	GGA 2012/12/13				
	ANGULAR ± 3 °	MATERIAL NO.	SEE BOM	DOCUMENT NO.		
	DRAFT WHERE APPLICABLE MUST REMAIN WITHIN DIMENSIONS	SIZE	D			
		THIS DRAWING CONTAINS INFORMATION THAT IS PROPRIETARY TO MOLEX INCORPORATED AND SHOULD NOT BE USED WITHOUT WRITTEN PERMISSION				

12MM 1X2, 1X3 RECPCT. SEALED ASSEMBLY CABLE SEAL



SD-34900-2001

SHEET NO. 4 OF 6

1X2 RECEPTACLE SEALED ASSEMBLY BOM SHEET 1

KEYING OPTION E, BLACK	34900-2123				CHB			E	TOOLED BUT NOT VALIDATED		1	2	3
KEYING OPTION C, BLACK	34900-2122				CHB			C	TOOLED BUT NOT VALIDATED		1	2	3
KEYING OPTION B, BLACK	34900-2121				CHB	A			SALEABLE		1	2	3
KEYING OPTION A, BLACK	34900-2120				CHB	A			SALEABLE		1	2	3
KEYING OPTION E, YELLOW	34900-2104				CHY			E	TOOLED BUT NOT VALIDATED		1	2	3
KEYING OPTION C, YELLOW	34900-2103				CHY			C	TOOLED BUT NOT VALIDATED		1	2	3
KEYING OPTION B, YELLOW	34900-2102				CHY		B		SALEABLE		1	2	3
KEYING OPTION A, YELLOW	34900-2101				CHY		A		SALEABLE		1	2	3
KEYING OPTION E, BLACK	34900-2023			CHB				E	OBSOLETE		1	2	3
KEYING OPTION C, BLACK	34900-2022			CHB				C	OBSOLETE		1	2	3
KEYING OPTION B, BLACK	34900-2021			CHB			B		OBSOLETE		1	2	3
KEYING OPTION A, BLACK	34900-2020			CHB			A		OBSOLETE		1	2	3
KEYING OPTION E, YELLOW	34900-2004	CHY						E	OBSOLETE		1	2	3
KEYING OPTION C, YELLOW	34900-2003	CHY						C	OBSOLETE		1	2	3
KEYING OPTION B, YELLOW	34900-2002	CHY					B		SALEABLE		1	2	3
KEYING OPTION A, YELLOW	34900-2001	CHY					A		SALEABLE		1	2	3
ASSEMBLY DESCRIPTION	ASSEMBLY PART NUMBER						A B C E		STATUS	COMMENTS		DESIGNED TO MATE WITH DEVICE CONNECTION	

RING SEAL	BURNT RED	INHERENTLY LUBRICATED SILICONE	
ISL	NATURAL	SPS/NYLON GF20	
CPA	RED	PBT GF30	
TERMINAL HOUSING KEYING OPTION E	STONE GRAY	SPS/NYLON GF20	
TERMINAL HOUSING KEYING OPTION C	DARK GRAY	SPS/NYLON GF20	
TERMINAL HOUSING KEYING OPTION B	LT. GRAY	SPS/NYLON GF20	
TERMINAL HOUSING KEYING OPTION A	BLACK	SPS/NYLON GF20	
CONNECTOR HOUSING	BLACK	SPS/NYLON GF20	UPDATED LATCH
CONNECTOR HOUSING	YELLOW	SPS/NYLON GF20	UPDATED LATCH
CONNECTOR HOUSING	BLACK	SPS/NYLON GF20	
CONNECTOR HOUSING	YELLOW	SPS/NYLON GF20	
DESCRIPTION	COLOR	MATERIAL	COMMENTS

BOM/APPLICABLE COMPONENTS TABLE

ABBREVIATION	COMPONENT
CHY	CONNECTOR HOUSING YELLOW
CHB	CONNECTOR HOUSING BLACK
A	TERMINAL HOUSING KEY A
B	TERMINAL HOUSING KEY B
C	TERMINAL HOUSING KEY C
E	TERMINAL HOUSING KEY E
CPA	CPA
ISL	ISL
R	RING SEAL
1	USCAR INTERFACE 120-S-002-1-Z01 SEE NOTE 1 FOR WEBSITE
2	MOLEX INLINE BLADE CONNECTOR E-34899-2001
3	USCAR INTERFACE 120-S-002-1-Z02 SEE NOTE 1 FOR WEBSITE

ENTER DESCRIPTION IEC NO: UAU2015-1604 DRAWN/KARI SHINANOI 2015/04/24 CHKD: CHYD APPR: IKOSHY 2015/04/29 REV: A9	QUALITY SYMBOLS ∇=0 ∇=0 ∇=0	GENERAL TOLERANCES (UNLESS SPECIFIED)		DIMENSION STYLE MM ONLY	SCALE 2:1	DESIGN UNITS METRIC	THIRD ANGLE PROJECTION		
		4 PLACES ±0.10 3 PLACES ±0.15 2 PLACES ±0.20 1 PLACE ±0.25 0 PLACE ±0.50	mm INCH	DRAWN BY DATE MYANSLAMBROU 2012/02/15	CHECKED BY DATE	TITLE 1.2MM 1X2. 1X3 RECPT. SEALED ASSEMBLY CABLE SEAL			
		ANGULAR ± 3 °		APPROVED BY DATE GGA 2012/12/13	MATERIAL NO. SEE BOM				
		DRAFT WHERE APPLICABLE MUST REMAIN WITHIN DIMENSIONS		DOCUMENT NO. SD-34900-2001		SHEET NO. 5 OF 6			

THIS DRAWING CONTAINS INFORMATION THAT IS PROPRIETARY TO MOLEX INCORPORATED AND SHOULD NOT BE USED WITHOUT WRITTEN PERMISSION

1X3 RECEPTACLE SEALED ASSEMBLY BOM SHEET 1

KEYING OPTION D, STONE GRAY	34900-3123				CHB			D	TOOLED BUT NOT VALIDATED		1	2	3
KEYING OPTION C, DARK GRAY	34900-3122				CHB			C	TOOLED BUT NOT VALIDATED		1	2	3
KEYING OPTION B, LIGHT GRAY	34900-3121				CHB		B		SALEABLE		1	2	3
KEYING OPTION A, BLACK	34900-3120				CHB		A		SALEABLE		1	2	3
KEYING OPTION D, YELLOW	34900-3104				CHY			D	TOOLED BUT NOT VALIDATED		1	2	3
KEYING OPTION C, YELLOW	34900-3103				CHY			C	TOOLED BUT NOT VALIDATED		1	2	3
KEYING OPTION B, YELLOW	34900-3102				CHY		B		SALEABLE		1	2	3
KEYING OPTION A, YELLOW	34900-3101				CHY		A		SALEABLE		1	2	3
KEYING OPTION D, STONE GRAY	34900-3023				CHB			D	OBSOLETE		1	2	3
KEYING OPTION C, DARK GRAY	34900-3022				CHB			C	OBSOLETE		1	2	3
KEYING OPTION B, LIGHT GRAY	34900-3021				CHB		B		OBSOLETE		1	2	3
KEYING OPTION A, BLACK	34900-3020				CHB		A		OBSOLETE		1	2	3
KEYING OPTION D, YELLOW	34900-3004				CHY			D	OBSOLETE		1	2	3
KEYING OPTION C, YELLOW	34900-3003				CHY			C	OBSOLETE		1	2	3
KEYING OPTION B, YELLOW	34900-3002				CHY		B		OBSOLETE		1	2	3
KEYING OPTION A, YELLOW	34900-3001				CHY		A		OBSOLETE		1	2	3
ASSEMBLY DESCRIPTION	ASSEMBLY PART NUMBER						A B C D		STATUS	COMMENTS	DESIGNED TO MATE WITH DEVICE CONNECTION		

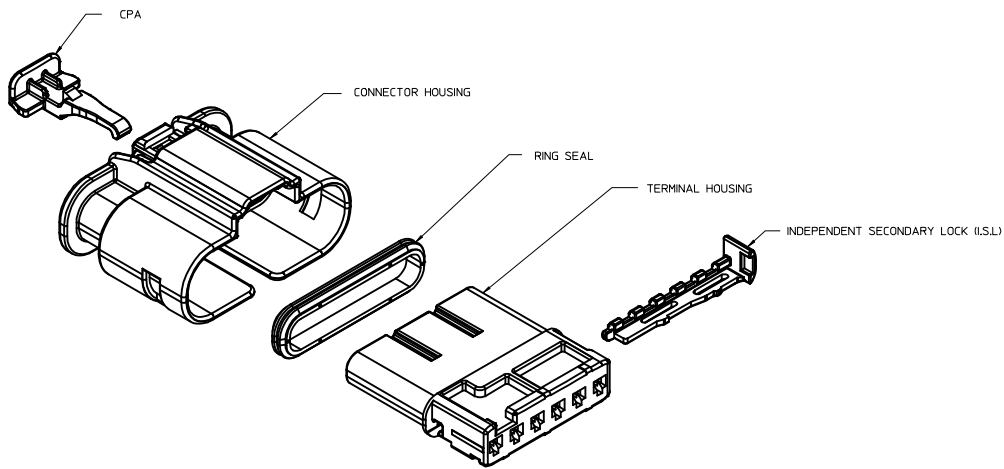
DESCRIPTION	COLOR	MATERIAL	COMMENTS
RING SEAL	LIGHT BLUE	INHERENTLY LUBRICATED SILICONE	
ISL	NATURAL	SPS/NYLON GF20	
CPA	RED	PBT GF30	
TERMINAL HOUSING KEYING OPTION D	STONE GRAY	SPS/NYLON GF20	
TERMINAL HOUSING KEYING OPTION C	DARK GRAY	SPS/NYLON GF20	
TERMINAL HOUSING KEYING OPTION B	LT. GRAY	SPS/NYLON GF20	
TERMINAL HOUSING KEYING OPTION A	BLACK	SPS/NYLON GF20	
CONNECTOR HOUSING	BLACK	SPS/NYLON GF20	UPDATED LATCH
CONNECTOR HOUSING	YELLOW	SPS/NYLON GF20	UPDATED LATCH
CONNECTOR HOUSING	BLACK	SPS/NYLON GF20	
CONNECTOR HOUSING	YELLOW	SPS/NYLON GF20	

ABREVIATION	COMPONENT
CHY	CONNECTOR HOUSING YELLOW
CHB	CONNECTOR HOUSING BLACK
A	TERMINAL HOUSING KEY A
B	TERMINAL HOUSING KEY B
C	TERMINAL HOUSING KEY C
D	TERMINAL HOUSING KEY D
CPA	CPA
ISL	ISL
R	RING SEAL
1	USCAR INTERFACE 120-S-003-1-Z01 SEE NOTE 1f FOR WEBSITE
2	MOLEX INLINE BLADE CONNECTOR E-34899-2001
3	USCAR INTERFACE 120-S-003-1-Z02 SEE NOTE 1f FOR WEBSITE

ENTER DESCRIPTION IEC NO. UAU2015-1604 DRAWN BY SHANU1 2015/01/24 CHKD: APPR:VKOSHY 2015/01/29	QUALITY SYMBOLS	GENERAL TOLERANCES (UNLESS SPECIFIED)	DIMENSION STYLE	SCALE	DESIGN UNITS	THIRD ANGLE PROJECTION	
	▽=0	4 PLACES ± mm ± INCH	MM ONLY	5:1	METRIC		
	▽=0	3 PLACES ± 0.10 ± 0.004					
	▽=0	2 PLACES ± 0.20 ± 0.008					
		ANGULAR ± 3 °					
		DRAFT WHERE APPLICABLE MUST REMAIN WITHIN DIMENSIONS					
			DRAWN BY DATE	DATE	TITLE		
			MYANSLAMBROU 2012/02/15	2012/12/13	12MM 1X2, 1X3 RECPT. SEALED ASSEMBLY CABLE SEAL		
			CHECKED BY DATE	DATE			
			GGA 2012/12/13				
			APPROVED BY DATE	DATE			
			SEE BOM				
			MATERIAL NO.	DOCUMENT NO.			
				SD-34900-2001			
			SIZE				
			D				
			THIS DRAWING CONTAINS INFORMATION THAT IS PROPRIETARY TO MOLEX INCORPORATED AND SHOULD NOT BE USED WITHOUT WRITTEN PERMISSION				
						SHEET NO. 6 OF 6	

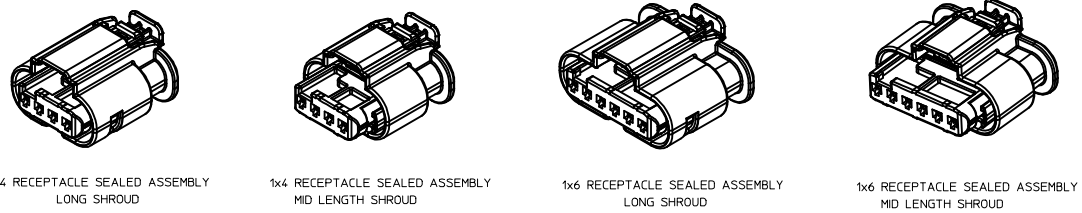
TABLE OF CONTENTS

SHEET NO.	SHEET DESCRIPTION
1	NOTES
2	1x4 RECEPTACLE SEALED ASSEMBLY KEYING CONFIGURATIONS
3	1x6 RECEPTACLE SEALED ASSEMBLY KEYING CONFIGURATIONS
4	RECEPTACLE SEALED ASSEMBLY
5	1x4 RECEPTACLE SEALED ASSEMBLY BOM SHEET
6	1x6 RECEPTACLE SEALED ASSEMBLY BOM SHEET



NOTES: VALID UNLESS OTHERWISE SPECIFIED

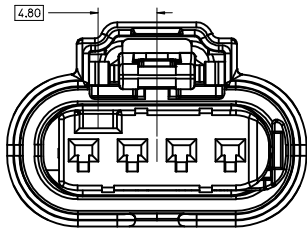
1. GENERAL:
 - a. APPLICATION SPECIFICATION SEE: AS-34900-0001
CONTAINS: PRODUCT INTRODUCTION, PRODUCT SUMMARY, CONNECTOR ASSEMBLY, PACKAGING INFORMATION, CONNECTOR MATING, SERVICE INSTRUCTIONS, ELECTRICAL CONTINUITY CHECKING, CRIMPING, AND TROUBLESHOOTING.
 - b. PRODUCT SPECIFICATION SEE: PS-34900-0001
CONTAINS: PRODUCT INTRODUCTION, PRODUCT SUMMARY, APPROVED TERMINALS, SINGLE WIRE SEALS, RATINGS (CURRENT, TEMPERATURE, SEALING, AND FLAMMABILITY), AND PRODUCT VALIDATION.
 - c. PACKAGING SPECIFICATION PER MOLEX DRAWING: PK-31301-898
 - d. PARTS MUST BE IN COMPLIANCE TO MOLEX CHEMICAL SUBSTANCES FOR PRODUCTS AND PACKAGING SPECIFICATION ES-40000-5016
 - e. DATA MUST BE SUBMITTED UNDER THE MOLEX PART NUMBER TO IMDS (COMPANY ID#13235)
 - f. DESIGNED TO MATE WITH DEVICE CONNECTION AS SPECIFIED IN BOM CHART USCAR INTERFACE DRAWINGS AND MODELS ARE AVAILABLE AT <http://ewcap.uscarteams.org/>.
2. DESIGN - MATERIALS:
 - a. SEE BOM TABLE
3. DESIGN - GEOMETRY:
 - a. THIS IS A 100% CAD GENERATED PART. THE CAD MATHEMATICAL DATA IS THE MASTER FOR THIS PART. FOR DIMENSIONAL OR ANY INFORMATION NOT SHOWN ON THIS DRAWING, ANALYZE THE CAD MODEL.
 - b. GEOMETRIC DIMENSIONS AND TOLERANCES PER ASME Y14.5M - 1994
 - c. EDGES AND UNDIMENSIONED DETAILS PER ISO13715
 - d. CORNERS SHOWN AS SHARP TO BE R 0.2 MAX
 - e. LETTERING SHALL BE 0.15 MAX RAISED IN 0.25 MAX RECESS PAD. THIS INCLUDES RECYCLING CODE, CAVITY ID, VENDOR IDENTIFICATION, AND CUSTOMER MATERIAL NUMBER.
 - f. VISUAL DEFECTS SHALL MEET COSMETIC STANDARD PS-45499-002 (Class B) CAD MODEL
- g. LASER MARKING:
 1. PART NUMBER
 2. DAY OF THE YEAR
 3. SHIFT
 4. YEAR



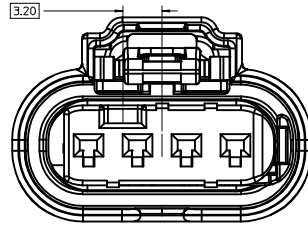
A10	PART #'S WITH NEW LATCH DESIGN SALEABLE
A9	PART #'S WITH NEW LATCH DESIGN SALEABLE
A8	ADDED NEW PART NUMBERS FOR LATCH IMPROVEMENT PARTS
A7	UPDATED 34900-6012 AND 34900-6012 TO SALEBLE
A6	UPDATED SHROUD LENGTH DIMENSION SCHEME
A5	BOM CORRECTIONS AND UPDATES
A4	BOM CORRECTIONS AND UPDATES
A3	NON SIR PART# OK TO TOOL
A2	BOM UPDATES FOR NON-SIR PART #
A1	1X6 MID LENGTH SHROUD OK TO TOOL
A	1X4 INLINE VIEWS ADDED
1	INITIAL RELEASE
REV	DESCRIPTION

ENTER DESCRIPTION ELC NO: UAU2015-1081 DRAWN BY: SHINAWATI 2015/01/08 CHKD: APPR: WOSHY 2015/01/15 REV	QUALITY SYMBOLS ∇=0 ∇=0 ∇=0	GENERAL TOLERANCES (UNLESS SPECIFIED)		DIMENSION STYLE MM ONLY		SCALE 3:1	DESIGN UNITS METRIC	THIRD ANGLE PROJECTION	
		4 PLACES ± .05	mm	INCH	DRAWN BY	DATE	TITLE		
		3 PLACES ± .05			MYANSLAMBROU	2012/05/03	12MM 1X4, 1X6 RECPT. SEALED ASSEMBLY CABLE SEAL		
		2 PLACES ± 0.10			CHECKED BY	DATE	molex		
1 PLACE ± 0.20			APPROVED BY	DATE	MATERIAL NO.	DOCUMENT NO.	SHEET NO.		
0 PLACE ± 0.50			GGA	2012/12/13	SEE TABLE	SD-34900-6001	1 OF 6		
DRAFT WHERE APPLICABLE MUST REMAIN WITHIN DIMENSIONS		THIS DRAWING CONTAINS INFORMATION THAT IS PROPRIETARY TO MOLEX INCORPORATED AND SHOULD NOT BE USED WITHOUT WRITTEN PERMISSION							

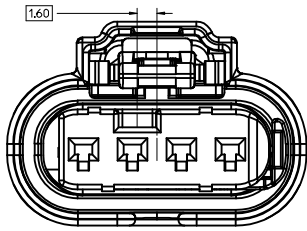
1x4 RECEPTACLE SEALED ASSEMBLY KEYING CONFIGURATIONS. FOR PART NUMBERS REFER TO BOM SHEET.



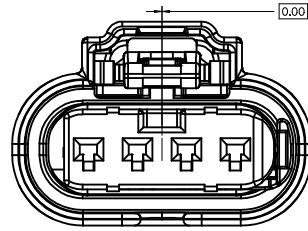
KEYING OPTION A



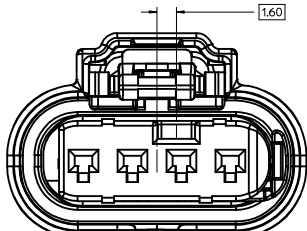
KEYING OPTION E



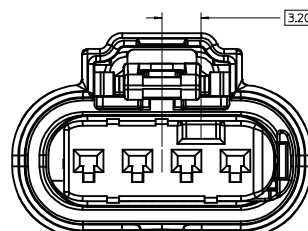
KEYING OPTION B



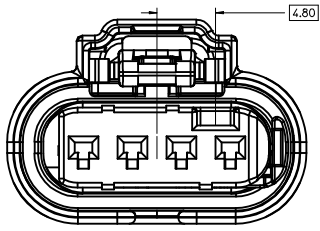
KEYING OPTION F



KEYING OPTION C



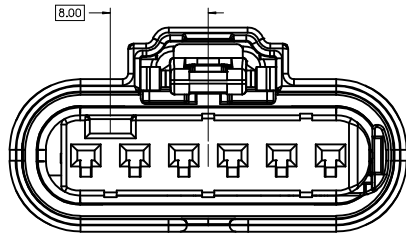
KEYING OPTION G



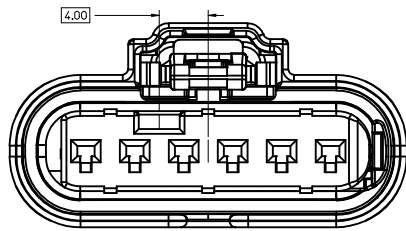
KEYING OPTION D

ENTER DESCRIPTION EEC NO: UAU2015-1081 DRAWN/KRISHNANI 2015/01/08 CHKD: APPR:KOSHY 2015/01/15 REV:	QUALITY SYMBOLS	GENERAL TOLERANCES (UNLESS SPECIFIED)		DIMENSION STYLE	SCALE	DESIGN UNITS	THIRD ANGLE PROJECTION
	▽=0	4 PLACES	mm INCH	MM ONLY	5:1	METRIC	DRAWN BY DATE MYANSLAMBROU 2012/05/03 CHECKED BY DATE APPROVED BY DATE GGA 2012/12/13
	▽=0	3 PLACES					TITLE 12MM 1X4, 1X6 RECPT. SEALED ASSEMBLY CABLE SEAL molex
	▽=0	2 PLACES					MATERIAL NO. SEE BOM DOCUMENT NO. SD-34900-6001 SHEET NO. 2 OF 6
		1 PLACE	ANGULAR ± 3 °				
		0 PLACE	DRAFT WHERE APPLICABLE MUST REMAIN WITHIN DIMENSIONS	SIZE D			

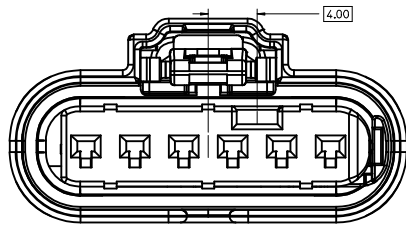
1x6 RECEPTACLE SEALED ASSEMBLY KEYING CONFIGURATIONS. FOR PART NUMBERS REFER TO BOM SHEET.



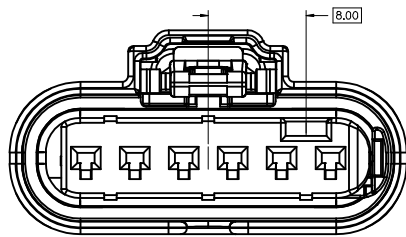
KEYING OPTION A



KEYING OPTION B



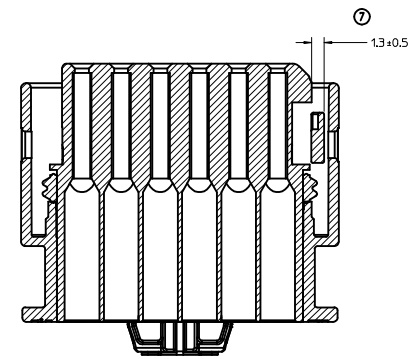
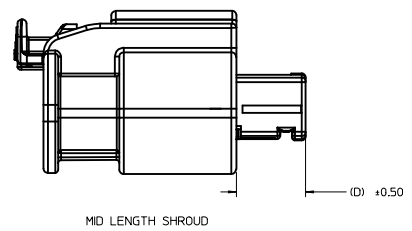
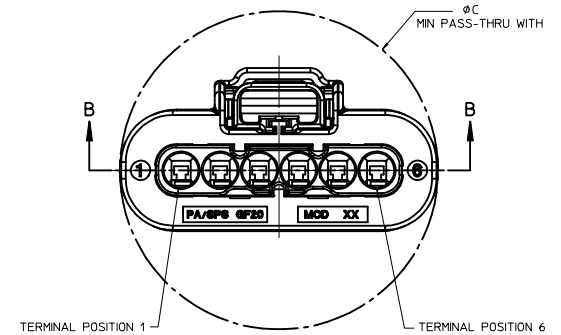
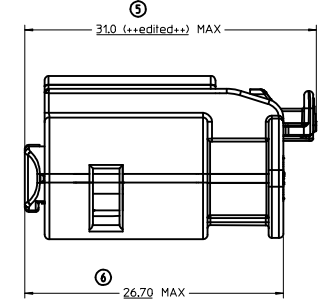
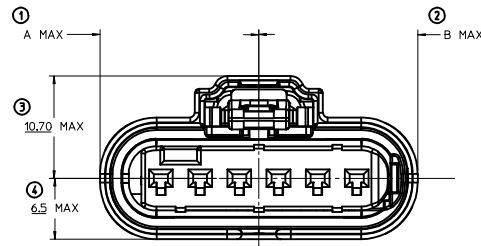
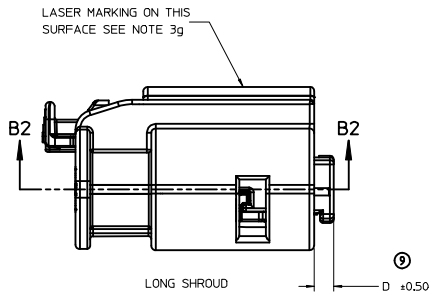
KEYING OPTION C



KEYING OPTION D

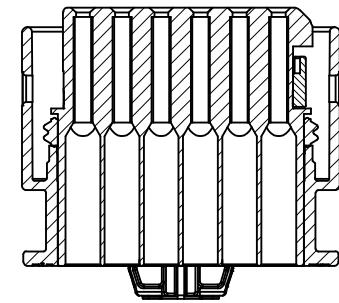
SEE SHEET 1 ELEC NO: UAU2015-1081 DRAWN BY: SHANU1 2015/01/08 CHKD: APPR: VKOSHY 2015/01/15 A10	QUALITY SYMBOLS ▽=0 ▽=0 ▽=0	GENERAL TOLERANCES (UNLESS SPECIFIED) <table border="1"> <thead> <tr> <th></th> <th>mm</th> <th>INCH</th> </tr> </thead> <tbody> <tr> <td>4 PLACES</td> <td>±---</td> <td>±---</td> </tr> <tr> <td>3 PLACES</td> <td>±---</td> <td>±---</td> </tr> <tr> <td>2 PLACES</td> <td>±0.10</td> <td>±---</td> </tr> <tr> <td>1 PLACE</td> <td>±0.20</td> <td>±---</td> </tr> <tr> <td>0 PLACE</td> <td>±0.50</td> <td>±</td> </tr> </tbody> </table> ANGULAR ± 3 ° DRAFT WHERE APPLICABLE MUST REMAIN WITHIN DIMENSIONS		mm	INCH	4 PLACES	±---	±---	3 PLACES	±---	±---	2 PLACES	±0.10	±---	1 PLACE	±0.20	±---	0 PLACE	±0.50	±	DIMENSION STYLE MM ONLY DRAWN BY: MYANSLAMBROU DATE: 2012/05/03 CHECKED BY: DATE: APPROVED BY: GGA DATE: 2012/12/13 MATERIAL NO: SEE BOM	SCALE 5:1 DESIGN UNITS METRIC THIRD ANGLE PROJECTION TITLE 12MM 1X4, 1X6 RECP. SEALED ASSEMBLY CABLE SEAL molex DOCUMENT NO: SD-34900-6001	SHEET NO. 3 OF 6
		mm	INCH																				
4 PLACES	±---	±---																					
3 PLACES	±---	±---																					
2 PLACES	±0.10	±---																					
1 PLACE	±0.20	±---																					
0 PLACE	±0.50	±																					
THIS DRAWING CONTAINS INFORMATION THAT IS PROPRIETARY TO MOLEX INCORPORATED AND SHOULD NOT BE USED WITHOUT WRITTEN PERMISSION																							

RECEPTACLE SEALED ASSEMBLY



SECTION B-B

INDEPENDENT SECONDARY LOCK (ISL)
SHOWN IN THE PRE-STAGED POSITION



SECTION B2-B2

INDEPENDENT SECONDARY LOCK (ISL)
SHOWN IN THE FINAL-LOCK POSITION

DESCRIPTION	A	B	C	D
1x6 MID LENGTH SHROUD	16.5	16.5	33.0	6.70
1x4 MID LENGTH SHROUD	16.5	16.5	25.0	6.70
1x6 LONG SHROUD	16.5	16.5	33.0	2.00
1x4 LONG SHROUD	12.5	12.5	25.0	2.00

CHARTED DIMENSIONS

ENTER DESCRIPTION ELEC NO: UAU2015-1081 DRAWN BY: SHINANI CHKD: APPR: IKOSHI REV: 2015/01/15 DESCRIPTION:	QUALITY SYMBOLS ∇=0 ∇=0 ∇=0		GENERAL TOLERANCES (UNLESS SPECIFIED) mm INCH 4 PLACES ± --- ± --- 3 PLACES ± 0.10 ± --- 2 PLACES ± 0.20 ± --- 0 PLACE ± 0.50 ± --- ANGULAR ± 3 ° DRAFT WHERE APPLICABLE MUST REMAIN WITHIN DIMENSIONS		DIMENSION STYLE MM ONLY SCALE 4:1 DESIGN UNITS METRIC THIRD ANGLE PROJECTION	
	DRAWN BY: MYANSLAMBROU DATE: 2012/05/03 CHECKED BY:		TITLE 12MM 1X4, 1X6 RECPT. SEALED ASSEMBLY CABLE SEAL		SHEET NO. 4 OF 6	
	APPROVED BY: GGA DATE: 2012/12/13		MATERIAL NO. SEE BOM DOCUMENT NO. SD-34900-6001			
	THIS DRAWING CONTAINS INFORMATION THAT IS PROPRIETARY TO MOLEX INCORPORATED AND SHOULD NOT BE USED WITHOUT WRITTEN PERMISSION					

1x4 RECEPTACLE SEALED ASSEMBLY BOM SHEET 1

KEY OPTION	CONNECTOR HOUSING COLOR	TERMINAL HOUSING COLOR	OUTER HOUSING SHROUD LENGTH	ASSEMBLY PART NUMBER	CHMB	A	B	C	D	E	F	G	PRODUCTION TOOL STATUS	COMMENTS
KEY OPTION G	BLACK	LIGHT GRAY	MID LENGTH	34900-4136									CONCEPT	1 2
KEY OPTION F	BLACK	BLACK	MID LENGTH	34900-4135									CONCEPT	1 2
KEY OPTION E	BLACK	DARK GRAY	MID LENGTH	34900-4134									CONCEPT	1 2
KEY OPTION D	BLACK	LIGHT GRAY	MID LENGTH	34900-4133									CONCEPT	1 2
KEY OPTION C	BLACK	DARK GRAY	MID LENGTH	34900-4132									CONCEPT	1 2
KEY OPTION B	BLACK	STONE GRAY	MID LENGTH	34900-4131									CONCEPT	1 2
KEY OPTION A	BLACK	BLACK	MID LENGTH	34900-4130									CONCEPT	1 2
KEY OPTION G	BLACK	LIGHT GRAY	LONG	34900-4126									TOOLED BUT NOT VALIDATED	1 2
KEY OPTION F	BLACK	BLACK	LONG	34900-4125									TOOLED BUT NOT VALIDATED	1 2
KEY OPTION E	BLACK	DARK GRAY	LONG	34900-4124									TOOLED BUT NOT VALIDATED	1 2
KEY OPTION D	BLACK	LIGHT GRAY	LONG	34900-4123									TOOLED BUT NOT VALIDATED	1 2
KEY OPTION C	BLACK	DARK GRAY	LONG	34900-4122									TOOLED BUT NOT VALIDATED	1 2
KEY OPTION B	BLACK	STONE GRAY	LONG	34900-4121									TOOLED BUT NOT VALIDATED	1 2
KEY OPTION A	BLACK	BLACK	LONG	34900-4120									TOOLED BUT NOT VALIDATED	1 2
KEY OPTION G	YELLOW	LIGHT GRAY	LONG	34900-4116									SALEABLE	1 2
KEY OPTION F	YELLOW	BLACK	LONG	34900-4115									SALEABLE	1 2
KEY OPTION E	YELLOW	DARK GRAY	LONG	34900-4114									TOOLED BUT NOT VALIDATED	1 2
KEY OPTION D	YELLOW	LIGHT GRAY	LONG	34900-4113									TOOLED BUT NOT VALIDATED	1 2
KEY OPTION C	YELLOW	DARK GRAY	LONG	34900-4112									TOOLED BUT NOT VALIDATED	1 2
KEY OPTION B	YELLOW	STONE GRAY	LONG	34900-4111									TOOLED BUT NOT VALIDATED	1 2
KEY OPTION A	YELLOW	BLACK	LONG	34900-4110									TOOLED BUT NOT VALIDATED	1 2
KEY OPTION G	BLACK	LIGHT GRAY	LONG	34900-4026									OBSOLETE	1 2
KEY OPTION F	BLACK	BLACK	LONG	34900-4025									OBSOLETE	1 2
KEY OPTION E	BLACK	DARK GRAY	LONG	34900-4024									OBSOLETE	1 2
KEY OPTION D	BLACK	LIGHT GRAY	LONG	34900-4023									OBSOLETE	1 2
KEY OPTION C	BLACK	DARK GRAY	LONG	34900-4022									OBSOLETE	1 2
KEY OPTION B	BLACK	STONE GRAY	LONG	34900-4021									OBSOLETE	1 2
KEY OPTION A	BLACK	BLACK	LONG	34900-4020									OBSOLETE	1 2
KEY OPTION G	YELLOW	LIGHT GRAY	LONG	34900-4016									OBSOLETE	1 2
KEY OPTION F	YELLOW	BLACK	LONG	34900-4015									OBSOLETE	1 2
KEY OPTION E	YELLOW	DARK GRAY	LONG	34900-4014									OBSOLETE	1 2
KEY OPTION D	YELLOW	LIGHT GRAY	LONG	34900-4013									OBSOLETE	1 2
KEY OPTION C	YELLOW	DARK GRAY	LONG	34900-4012									OBSOLETE	1 2
KEY OPTION B	YELLOW	STONE GRAY	LONG	34900-4011									OBSOLETE	1 2
KEY OPTION A	YELLOW	BLACK	LONG	34900-4010									OBSOLETE	1 2
ASSEMBLY DESCRIPTION	CONNECTOR HOUSING COLOR	TERMINAL HOUSING COLOR	OUTER HOUSING SHROUD LENGTH	ASSEMBLY PART NUMBER									PRODUCTION TOOL STATUS	COMMENTS

ABREVIATION	COMPONENT
CHY	CONNECTOR HOUSING YELLOW
CHB	CONNECTOR HOUSING BLACK
CHBM	CONNECTOR HOUSING BLACK MID SHROUD
A	TERMINAL HOUSING KEY A
B	TERMINAL HOUSING KEY B
C	TERMINAL HOUSING KEY C
D	TERMINAL HOUSING KEY D
E	TERMINAL HOUSING KEY E
F	TERMINAL HOUSING KEY F
G	TERMINAL HOUSING KEY G
CPA	CPA
ISL	ISL
RING SEAL	RING SEAL
1	USCAR INTERFACE 120-S-004-1-202 SEE NOTE 1f FOR WEBSITE
2	MOLEX INLINE BLADE CONNECTOR SD-34899-6001

DESCRIPTION	COLOR	MATERIAL	COMMENTS
RING SEAL	LIGHT BLUE	INHERENTLY LUBRICATED SILICONE	
ISL	NATURAL	SPS/NYLON GF20	
CPA	RED	PBT GF30	
TERMINAL HOUSING KEYING OPTION G	LIGHT GRAY	SPS/NYLON GF20	
TERMINAL HOUSING KEYING OPTION F	BLACK	SPS/NYLON GF20	
TERMINAL HOUSING KEYING OPTION E	DARK GRAY	SPS/NYLON GF20	
TERMINAL HOUSING KEYING OPTION D	LIGHT GRAY	SPS/NYLON GF20	
TERMINAL HOUSING KEYING OPTION C	DARK GRAY	SPS/NYLON GF20	
TERMINAL HOUSING KEYING OPTION B	STONE GRAY	SPS/NYLON GF20	
TERMINAL HOUSING KEYING OPTION A	BLACK	SPS/NYLON GF20	
MID LENGTH CONNECTOR HOUSING	BLACK	SPS/NYLON GF20	
CONNECTOR HOUSING	BLACK	SPS/NYLON GF20	UPDATED LATCH
CONNECTOR HOUSING	YELLOW	SPS/NYLON GF20	UPDATED LATCH
CONNECTOR HOUSING	BLACK	SPS/NYLON GF20	
CONNECTOR HOUSING	YELLOW	SPS/NYLON GF20	

ENTER DESCRIPTION ELEC NO: UAU2015-1081 DRAWN BY: SHANAN 2015/01/08 CHYK: APPR: VKSHY 2015/01/15 REV:	QUALITY SYMBOLS ∇=0 ∇=0 ∇=0	GENERAL TOLERANCES (UNLESS SPECIFIED) mm INCH 4 PLACES ± --- ± --- 3 PLACES ± --- ± --- 2 PLACES ± 0.10 ± --- 1 PLACE ± 0.20 ± --- 0 PLACE ± 0.50 ± --- ANGULAR ± 3 ° DRAFT WHERE APPLICABLE MUST REMAIN WITHIN DIMENSIONS	DIMENSION STYLE MM ONLY DRAWN BY: DATE MYANSLAMBROU 2012/05/03 CHECKED BY: DATE	SCALE 5:1 DESIGN UNITS METRIC THIRD ANGLE PROJECTION	TITLE 12MM 1X4, 1X6 RECP. SEALED ASSEMBLY CABLE SEAL molex MATERIAL NO. SEE BOM DOCUMENT NO. SD-34900-6001 SHEET NO. 5 OF 6
	THIS DRAWING CONTAINS INFORMATION THAT IS PROPRIETARY TO MOLEX INCORPORATED AND SHOULD NOT BE USED WITHOUT WRITTEN PERMISSION				

