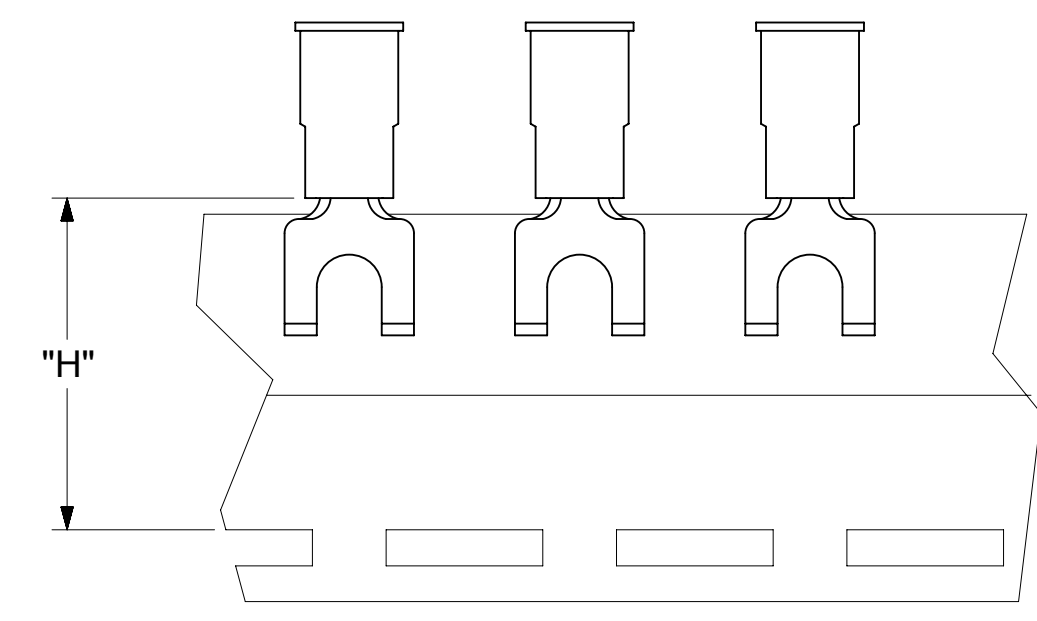
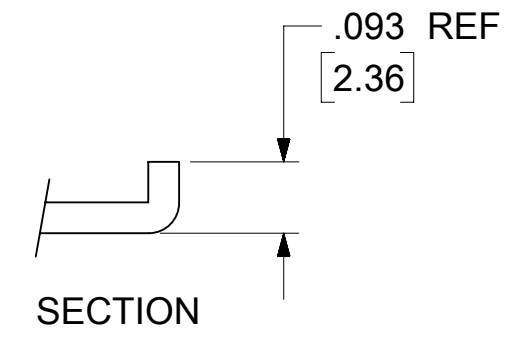
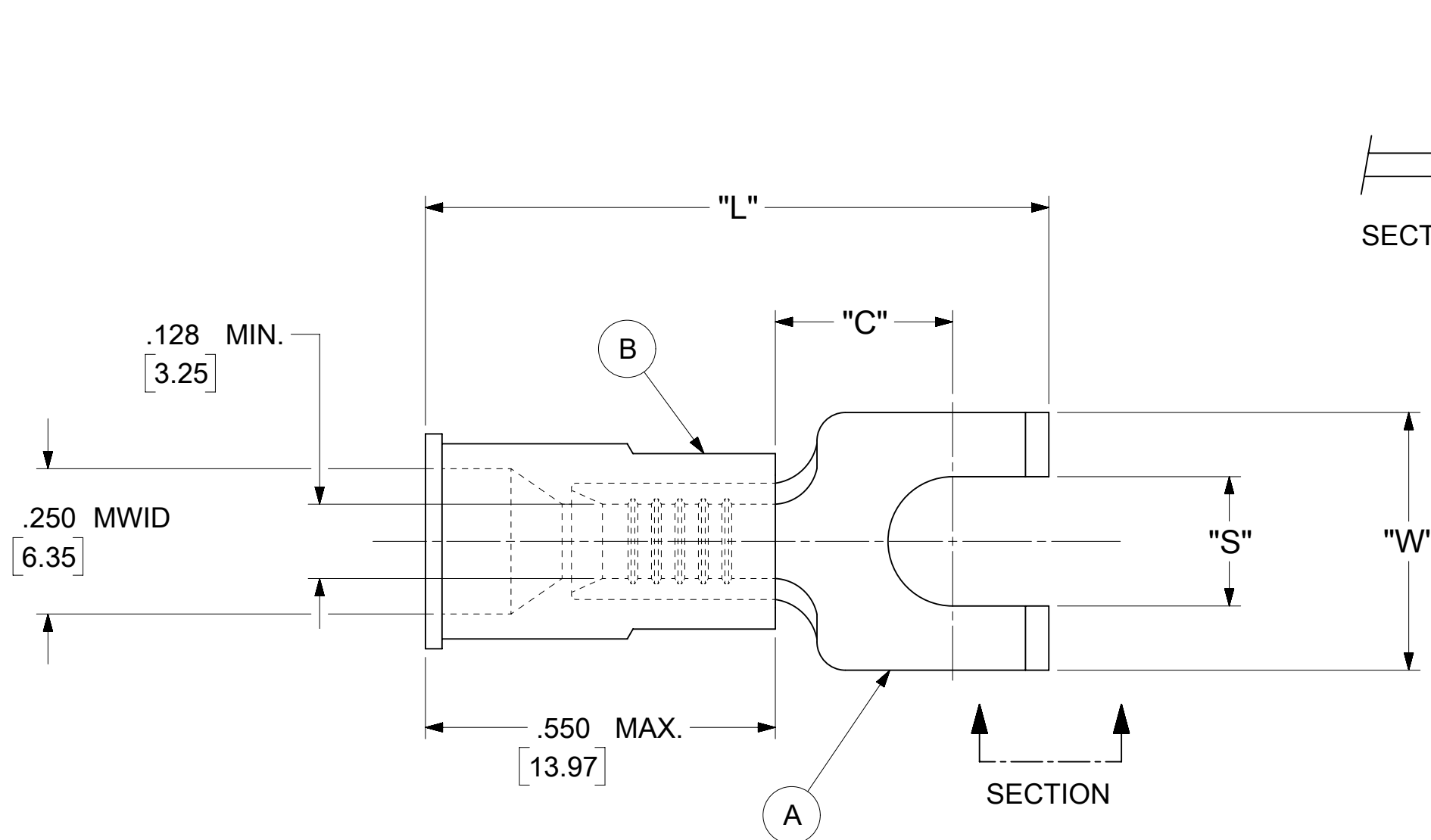


LOOSE PIECE		TAPE MOUNTED		SPECIFICATIONS					
MATERIAL NUMBER	ENGINEERING NUMBER	MATERIAL NUMBER	ENGINEERING NUMBER	STUD SIZE	"S" ±.005 [0.13]	"W" ±.010 [0.25]	"C" MIN.	"L" MAX.	"H"
191210046	C-2104-06X	---	---	6	.146 [3.71]	.320 [8.13]	.305 [7.75]	1.075 [27.31]	.980 [24.89]
191210047	C-2104-08X	191210048	C-2104-08XT	8	.173 [4.39]				
191210049	C-2104-10X	191210050	C-2104-10XT	10	.198 [5.03]				



- NOTES:
- MATERIAL:
 - (A). TERMINAL: COPPER (STOCK THICKNESS .040±.001 [1.02])
 - PLATING: ELECTRO-TIN (.0003 MIN.)
 - (B). INSULATION: MOLDED NYLON (YELLOW)
 - MWID: MAXIMUM WIRE INSULATION DIAMETER
 - WIRE SIZE: 12 -10 AWG
4.0 -6.0 MM²
 - "UL" LISTING #E32244
"CSA" LISTING #18689
 - ALL DIMENSIONS IN INCHES/[MM].
 - PARTS ARE ROHS COMPLIANT.
 - DIMS. SHOWN ARE FOR REFERENCE ONLY.

SYMBOLS	THIS DRAWING CONTAINS INFORMATION THAT IS PROPRIETARY TO MOLEX ELECTRONIC TECHNOLOGIES, LLC AND SHOULD NOT BE USED WITHOUT WRITTEN PERMISSION									
	DIMENSION UNITS		SCALE		CURRENT REV DESC: MIGRATION TO ECTR/NX					
	INCH/MM		NTS		EC NO: 621540 DRWN: ABENJAMINLW 2019/07/24 CHK'D: GROJAS01 2019/07/29 APPR: JMACNEIL 2019/08/05 INITIAL REVISION: DRWN: JJ 1984/10/31 APPR: JMACNEIL 2019/08/05					
	GENERAL TOLERANCES (UNLESS SPECIFIED)									
▽ = 0	4 PLACES	±	---	±	---	PRODUCT CUSTOMER DRAWING DOCUMENT NUMBER: 191210045 DOC TYPE: PSD DOC PART: 000 REVISION: A MATERIAL NUMBER: SEE TABLE CUSTOMER: GENERAL MARKET SHEET NUMBER: 1 OF 1				
▽ = 0	3 PLACES	±	---	±	.005					
▽ = 0	2 PLACES	±	0.13	±	.01					
▽ = 0	1 PLACE	±	0.25	±	---					
☒ = 0	0 PLACES	±	---	±	---	THIRD ANGLE PROJECTION DRAFT WHERE APPLICABLE MUST REMAIN WITHIN DIMENSIONS				
■ = 0	ANGULAR TOL	±	0.5°							DRAWING SERIES: C-SIZE 19121
▽ = 0										

