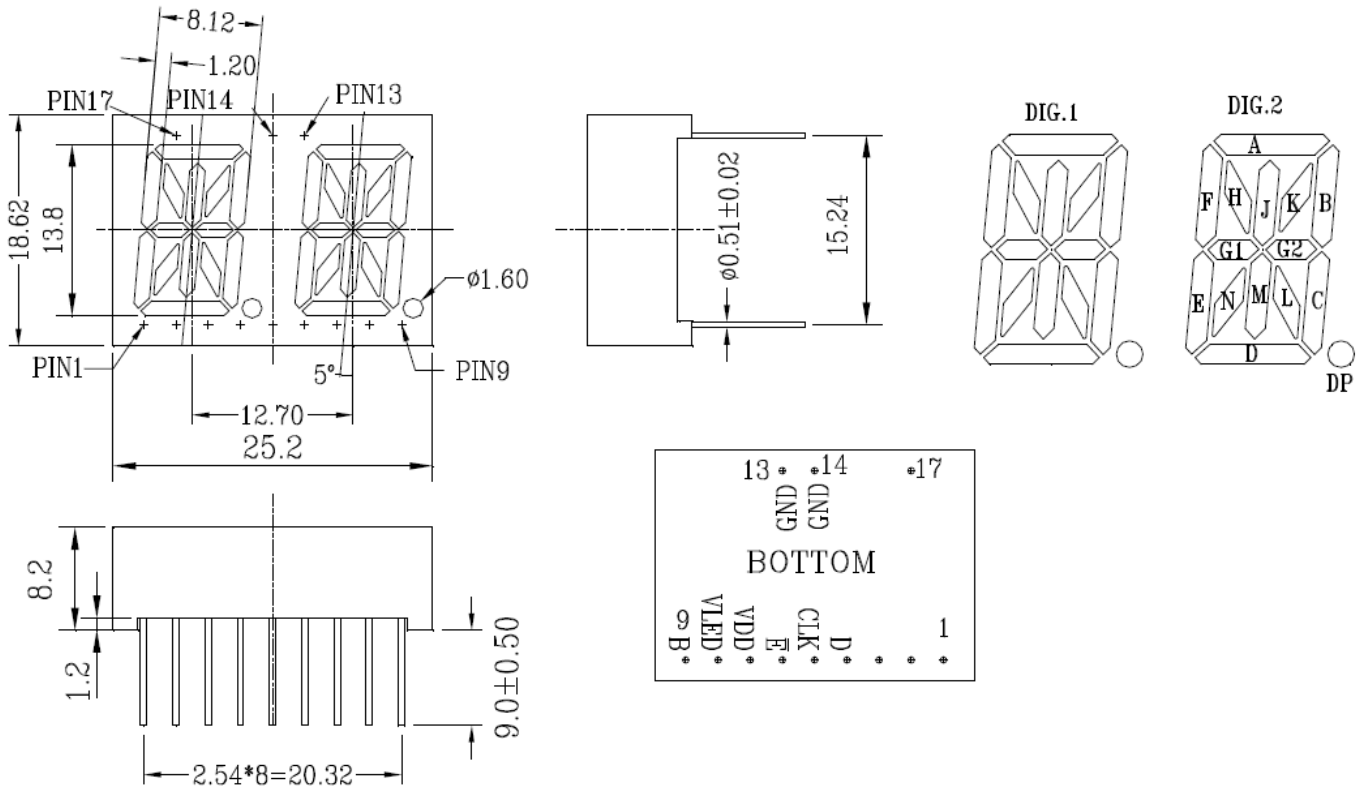




American Opto Plus LED Corp. M542E-A-889 G/W

0.54 inch (13.80mm) Alphanumeric LED Display with I. C. Driver

PACKAGE DIMENSIONS



Chip Material	Emitted Color	Segment/Face	Description
AlGaInP	Red	Gray/White	Common Anode

Notes:

1. All dimension are in millimeters, tolerance: ± 0.25 ; Angle $\pm 0.1^\circ$ unless otherwise noted.
2. Specifications are subject to change without notice.

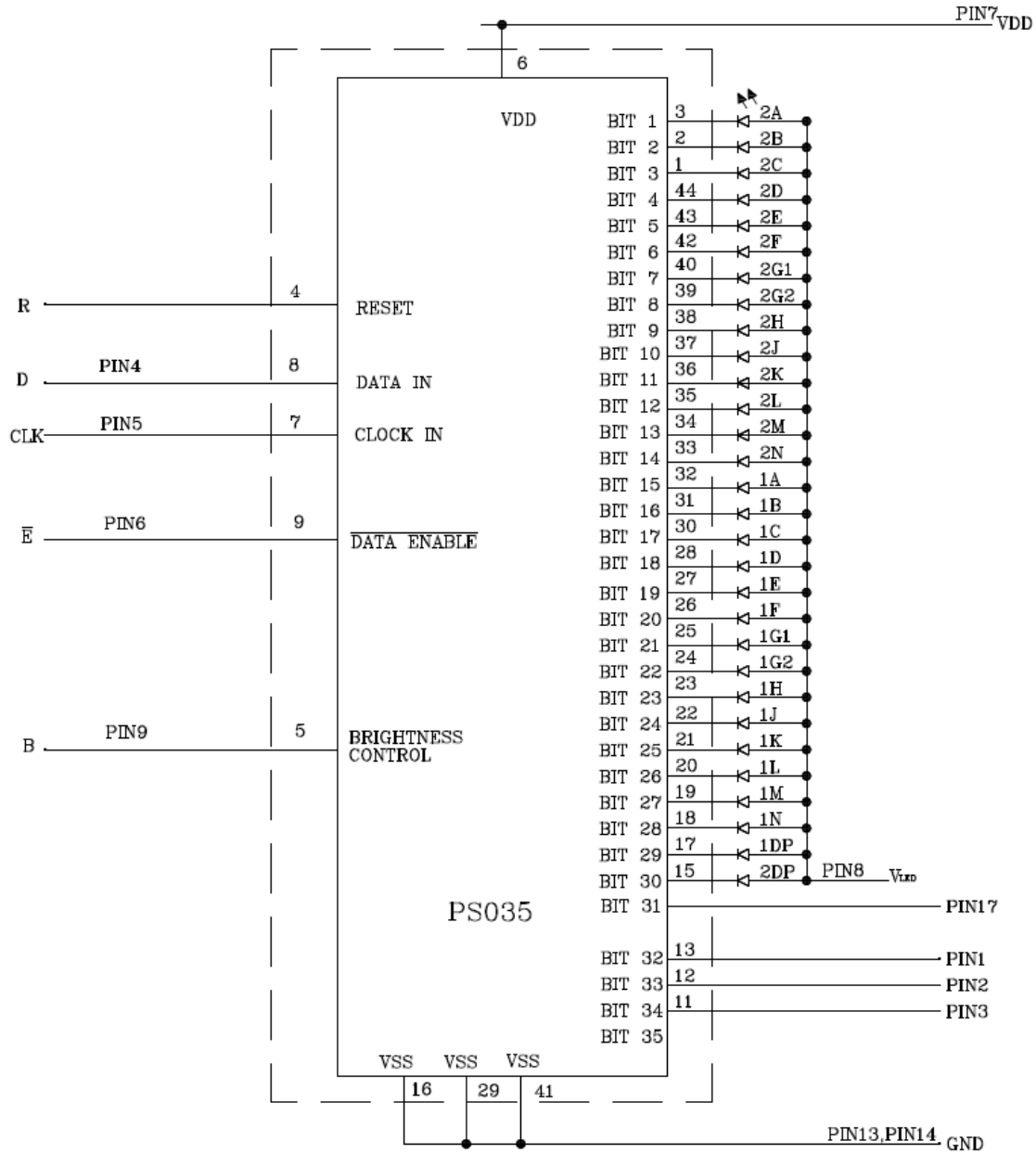


American Opto Plus LED Corp.

M542E-A-889 G/W

0.54 inch (13.80mm) Alphanumeric LED Display with I. C. Driver

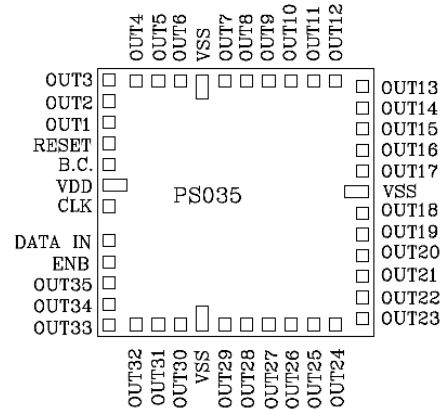
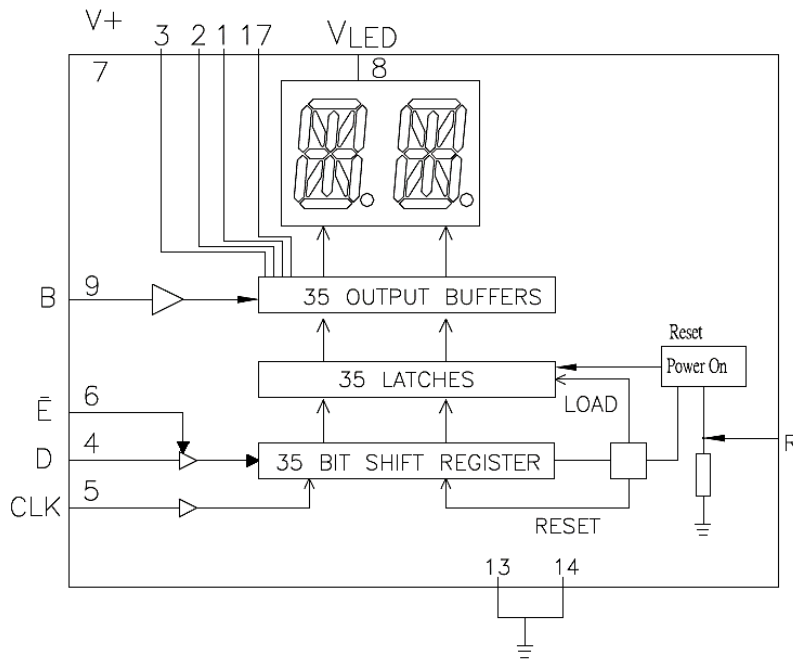
PIN CONNECTION





American Opto Plus LED Corp. M542E-A-889 G/W

0.54 inch (13.80mm) Alphanumeric LED Display with I. C. Driver



Remark:10, 11, 12, 15, 16 NO PIN

BIT MAP

OUT	BIT	DIGIT	SEGMENT	OUT	BIT	DIGIT	SEGMENT
OUT1	1	2	A	OUT19	19	1	E
OUT2	2	2	B	OUT20	20	1	F
OUT3	3	2	C	OUT21	21	1	G1
OUT4	4	2	D	OUT22	22	1	G2
OUT5	5	2	E	OUT23	23	1	H
OUT6	6	2	F	OUT24	24	1	J
OUT7	7	2	G1	OUT25	25	1	K
OUT8	8	2	G2	OUT26	26	1	L
OUT9	9	2	H	OUT27	27	1	M
OUT10	10	2	J	OUT28	28	1	N
OUT11	11	2	K	OUT29	29	1	1DP
OUT12	12	2	L	OUT30	30	2	2DP
OUT13	13	2	M	OUT31	31	--	PIN17
OUT14	14	2	N	OUT32	32	--	PIN1
OUT15	15	1	A	OUT33	33	--	PIN2
OUT16	16	1	B	OUT34	34	--	PIN3
OUT17	17	1	C	OUT35	35	--	--
OUT18	18	1	D	--	--	--	--



American Opto Plus LED Corp.

M542E-A-889 G/W

0.54 inch (13.80mm) Alphanumeric LED Display with I. C. Driver

ABSOLUTE MAXIMUM RATINGS

(Ta=25°C)

Parameter	Symbol	Rating	Unit
Peak Forward Current (1/10 Duty Cycle, 0.1ms Pulse width)	I _{FP}	80	mA
Power Dissipation	P _D	75	mW
Continuous Forward Current	I _F	20	mA
Recommend Operating Current	I _{F(Rec)}	12	mA
Reverse Voltage	V _R	5	V
Operating Temp.	T _{OPR}	-30 ~ +85	°C
Storage Temp.	T _{STG}	-30 ~ +85	°C
Lead-Free Solder Temperature (1/16 Inch Below Seating Plane)	T _{SOL}	260°C for 3 Sec	

ELECTRICAL/OPTICAL CHARACTERISTICS

(Ta=25°C)

Parameter	Symbol	Condition	Min.	Typ.	Max.	Unit
Luminous Intensity	I _V	IF=10mA	--	15.5	--	mcd
Dominant Wavelength	λ _d	IF=20mA	627	630	633	nm
Spectral Line Half-Width	Δλ		--	15	--	nm
Forward Voltage	V _F		1.8	2.0	2.4	V
Luminous Intensity Matching Ratio	I _{V-m}		--	--	2:1	--
Reverse Current	I _r	VR=5V	--	--	10	μA

Note:

1. The displays should be kept at 30°C or less and 60% RH or less.
2. The displays should be used within one year.