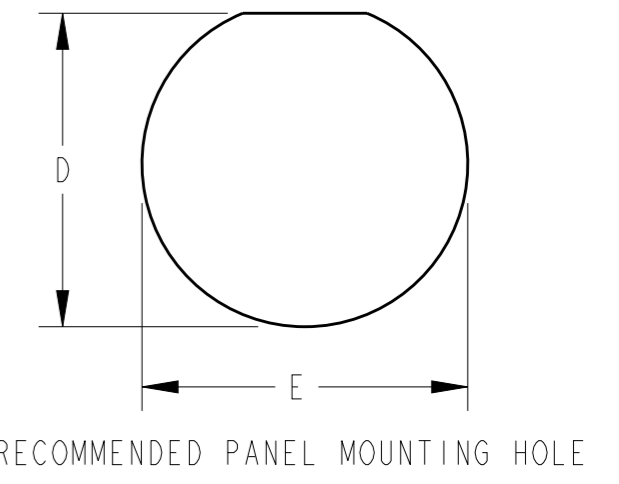
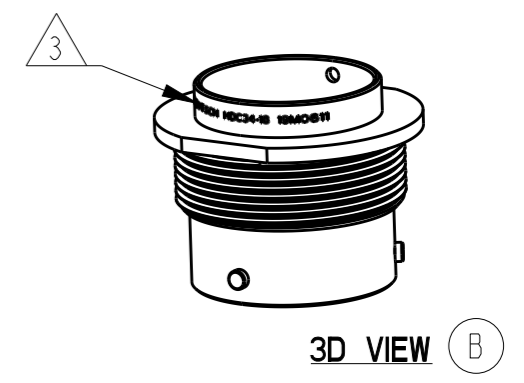
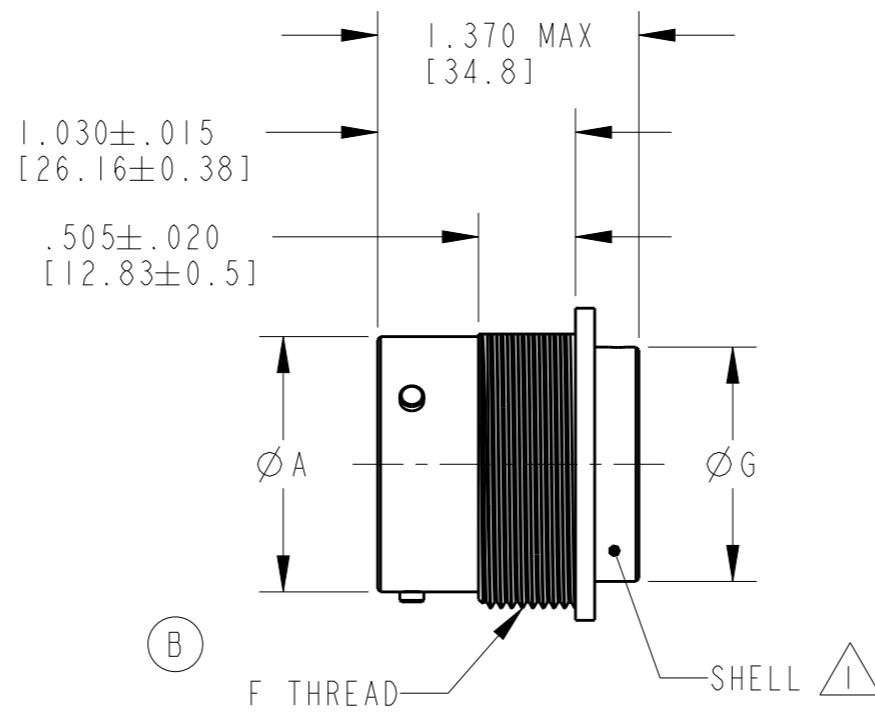
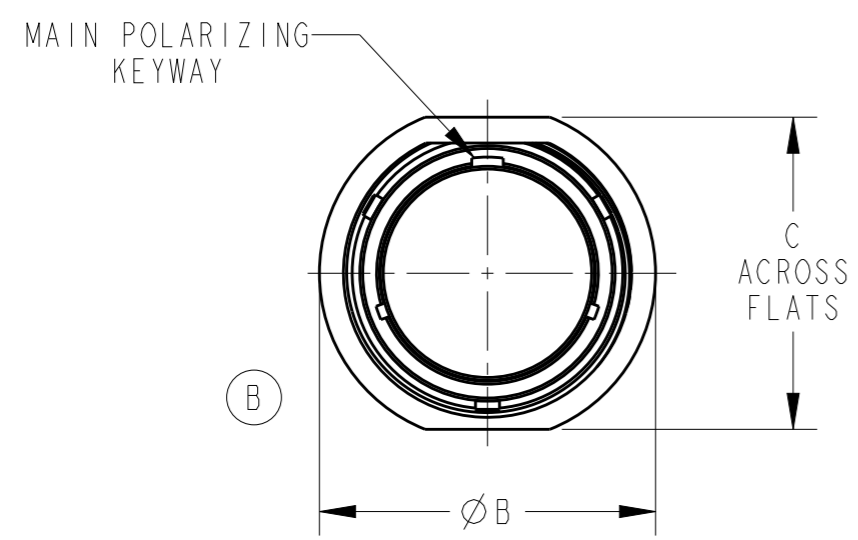


THIS DRAWING IS UNPUBLISHED
 RELEASED FOR PUBLICATION 2014
 © COPYRIGHT 2014 BY TE CONNECTIVITY ALL RIGHTS RESERVED.

LOC	DIST	REVISIONS			
P	LTR	DESCRIPTION	DATE	DWN	APVD
-	-	NC	NEW RELEASE PER E.O. A1414	16MAY1984	- MM
		A	REVISED/REDRAWN PER E.O. P21334	02APR2012	- RDR
		A1	REVISED PER ECO-15-001798	19AUG2014	PV DM
		B	REVISED PER E-20-008459	08JUL2020	CO IG



SHELL SIZE XX	A	B ±.010 [±.254]	C MAX.	D +.010/- .000 [+0.25/- .000]	E ±.005 [±0.12]	F THREAD REF	G
18	1.329 [33.75]	1.750 [44.45]	1.625 [41.27]	1.442 [36.62]	1.507 [38.27]	1.500 - 18 UNEF	1.220 [30.98]
24	1.579 [40.10]	2.000 [50.8]	1.875 [47.62]	1.632 [41.45]	1.696 [43.07]	1.6875 - 18 UNEF	1.470 [37.33]

3 DATE CODE: IDENTIFIES THE YEAR, MONTH, DAY AND HOUR OF ASSEMBLY.
 YEAR: FIRST AND SECOND DIGIT (19 = 2019).
 MONTH: THIRD DIGIT, EXCLUDING "1", A=JAN, B=FEB, ...M=DEC.
 DAY: FOURTH AND FIFTH DIGITS (06 = 6th DAY)
 HOUR: SIXTH AND SEVENTH DIGITS (11 = 11AM)

2. RECOMMENDED PANEL THICKNESS .062[1.57] MIN. TO .1875[4.76] MAX.

1. MATERIAL: SHELL : ALUMINUM.

NOTES:

THIS DRAWING IS A CONTROLLED DOCUMENT.

DWN 30OCT2014 VIJETH BHARADWAJ
 CHK 31OCT2014 I. GRANTCHAROVA
 APVD 31OCT2014 D MEYER

TE Connectivity

NAME: COVER, PROTECTIVE BAYONET COUPLING (TO MATE WITH PLUG)

PRODUCT SPEC: -
 APPLICATION SPEC: -
 WEIGHT: -

SIZE: A3 CAGE CODE: - DRAWING NO: C-HDC34-XX-1E RESTRICTED TO: -

Customer Drawing SCALE: SHEET OF REV B