

**SC**
**MULTIMODE FIBER OPTIC CONNECTOR**

Outer plug body and boot: color beige

Series

F728

Packaging

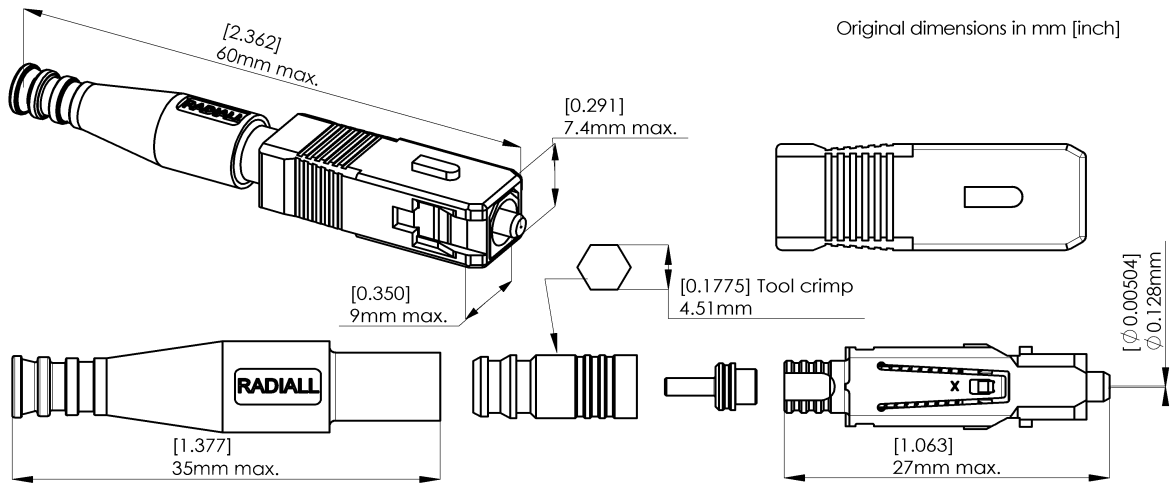
100

Issue

31Dec.10

Page

1/1


**GENERAL**

**Type** : IEC 61754-4 type SC  
 Multimode, zirconia ceramic ferrule (20 mm pre-radius)  
 Push-pull latching system, floating ferrule  
 360° tunable (adjustable to 6 positions for optimization of random insertion loss)

**Ferrule size** : 128  $\mu$ m  
**Fiber size** : 50/125; 62.5/125 $\mu$ m, multimode

**Cable** :  $\varnothing$  3mm, tight or semi loose structure

**Cabling proc.** : Refer to 503 08 400 (D 6121 oe), assembly instruction manual

**CHARACTERISTICS** (Dependant on fiber or cable construction)

**Optical** : Attenuation at 850 and 1310nm with led source, at EMD condition

	STD	(IEC 61300-2-40)
Mean	< 0.2 dB	(Attenuation plug mated with reference plug IEC 61300-3-4)
Standard deviation	0.08 dB	
Max	< 0.75dB, 95%	(Attenuation of random mated connectors IEC 61300-3-34)
Mean	0.25 dB	
Repeatability	0.10 dB	(Maximum loss variation, IEC 61300-2-2)
Return loss	>20 dB	(IEC 61300-3-6)

**Mechanical** : Mechanical endurance 500 matings  
 Cable retention 100 N

**Environmental** : Temperature range (storage/operating) -40 to +85 °C

CREATION					
N°:					<b>RADIALL</b> 101, rue P. Hoffmann 93116 ROSNY/BOIS FRANCE Tel : (33) 0149353535 Fax : (33) 0148546363
PEN/EP: CAT.					
Name: PB					
Date: 11 Aug. 99	31 Dec. 10	Mise à jour performances optiques et mécaniques	SP	HD	
Appr.: LV	Issue	Revisions	Name	Appr.	