

# Sensors & Devices Attention

Sensors & Devices Promotion Dept.  
System Components BU  
Energy Systems Business Division  
Eco Solutions Company  
Panasonic Corporation

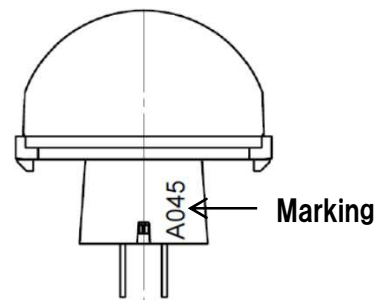
Att:

## PIR sensor “PaPIRs” Long distance type marking change to laser

Date: Oct 22<sup>th</sup> 2014  
File #: SD1410-1  
Issued: T Toda ( Councilor)

We would like to announce the marking modification from stamp to laser for PaPIRs long distance type with black and pearl white lens.

- Modified p/#s will be as follows.  
first 8 digits is 3, and first 11 digits is 2 or 3.
  - EKMB1103112 · EKMB1303113
  - EKMB1103113 · EKMB1303112K
  - EKMB1203112 · EKMB1303113K
  - EKMB1203113 · EKMC1603112
  - EKMB1303112 · EKMC1603113



- Reason  
To improve the visuality and the productivity
- Impact to the characteristics  
This modification has no impact on the detection characteristics and others.
- Modified timing  
From Oct /end production sequentially
- Note  
Present ink or stamp marking will be continued for all NaPiOn series, PaPIRs std detection type and PaPIRs long distance with white lens type.

	Before: Stamp marking	After : Laser marking
Black lens		
Pearl white lens		