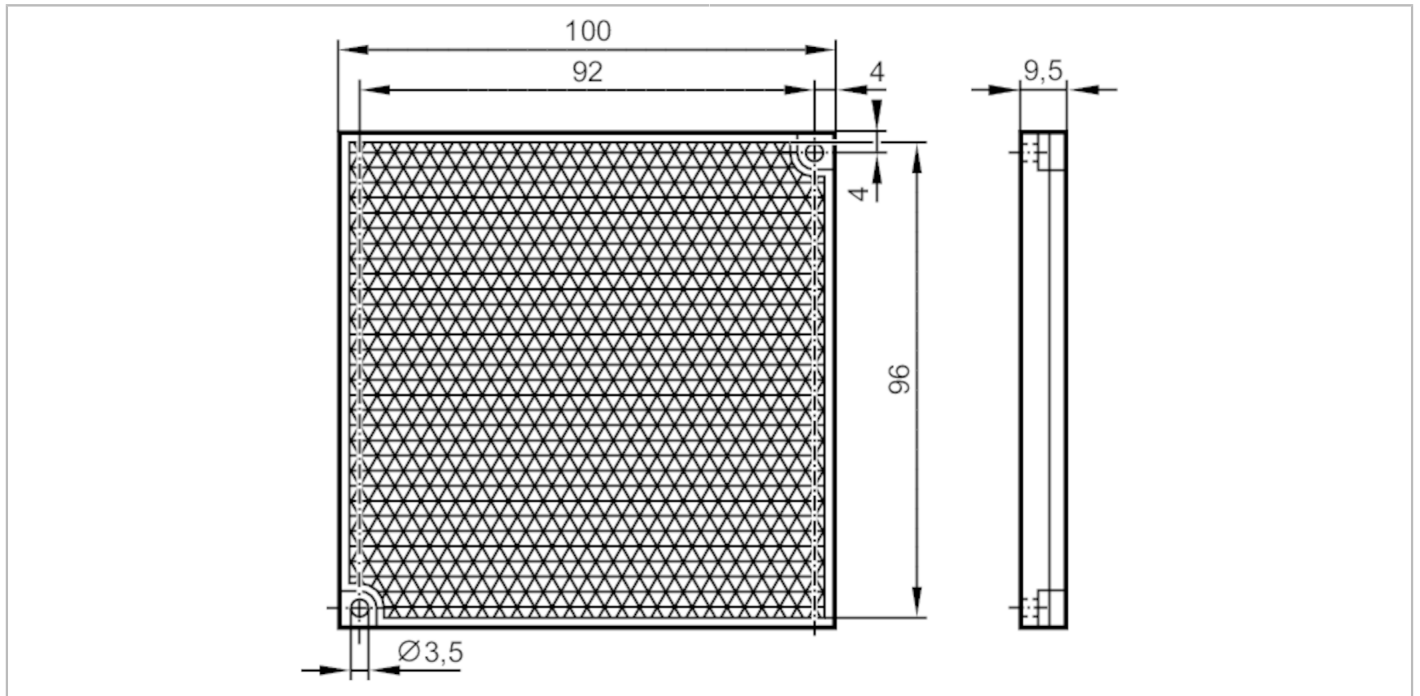


E20454



Reflector for retro-reflective sensors

REFLECTOR TS-96x96



Application

Design rectangular, for red light and infrared light retro-reflective sensors

Operating conditions

Ambient temperature [°C] -10...60

Mechanical data

Weight [g] 66.6

Dimensions [mm] 100 x 100 x 9.5

Reflector surface [mm] 96 x 96

Materials plastics

Remarks

Pack quantity 1 pcs.