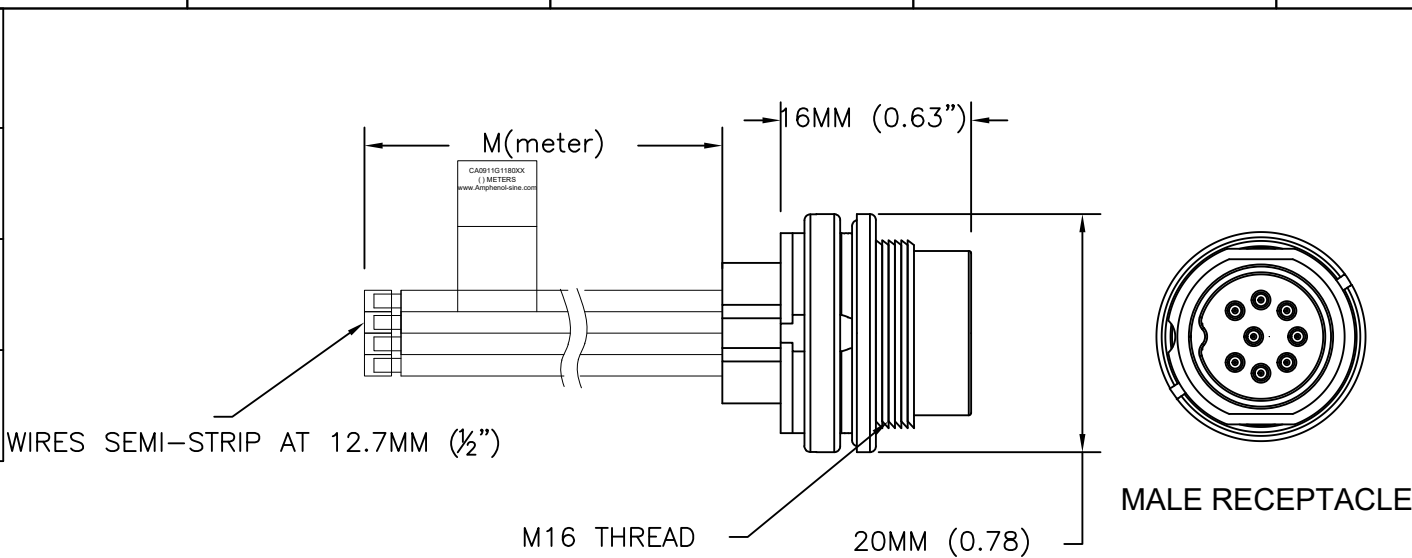


PART NUMBER	LENGTH (METERS)
CA0911G118003	0.3M (0.98 FEET)
CA0911G118005	0.5M (1.64 FEET)
CA0911G118010	1M (3.28 FEET)

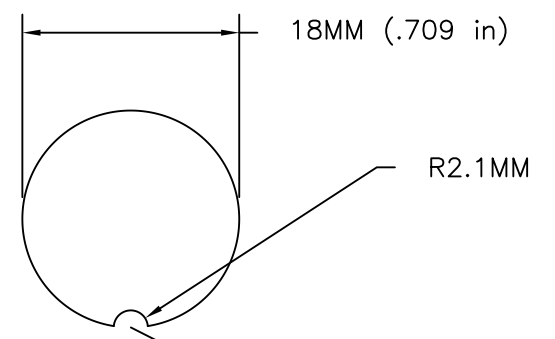


REVISIONS						
REV	ZONE	ECO	DESCRIPTION	DATE	BY	APPR
A1	-	-	TECHNICAL DATA SHEET RELEASE	20-JULY-17	RO	-

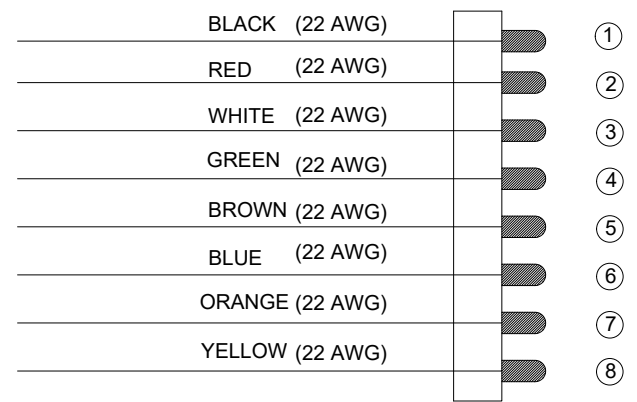
CAN BE USED WITH MATING FEMALE CABLE # CA0911B800801012

CONTACT YOUR DISTRIBUTOR FOR OTHER MATING OPTIONS

INSTALLATION NOTES & PANEL CUTOUT



WIRING DIAGRAM



- MATERIALS:**  
 COUPLING NUT: ZINC DIE CAST  
 INSULATION INSERT: THERMOPLASTIC  
 CONTACT: SILVER PLATED  
 WIRE RATING: 22 AWG, UL STYLE 1569 300V 105°C (AWM), CSA TYPE TR-64 300V 90°C, UL VW-1 FLAME TEST  
 CABLE JACKET MATERIAL: PVC  
 NUMBER OF CONDUCTORS: (8) 22AWG
- CONNECTOR ELECTRICAL DATA:**  
 CURRENT (MAX): 7A AT 40°C  
 VOLTAGE (MAX): 300V AC/DC  
 INSULATION RESISTANCE: 100M OHMS PER IEC 60512-3-1  
 RATED IMPULSE WITHSTAND VOLTAGE: 1200V
- CONNECTOR MECHANICAL DATA:**  
 TEMPERATURE RANGE: -25°C TO +100°C  
 PROTECTION: IP67/IP68 (PER MATED CONDITION)  
 MATING CYCLES: >500
- RoHS COMPLIANT

QUANTITY	PART NUMBER	DESCRIPTION	ITEM
<b>MATERIALS LIST</b>			
UNLESS OTHERWISE SPECIFIED 1) All dimensions are in metric (mm). 2) Tolerances are as follows: 1 PL DEC ±0.30   Fractions ±1/64 2 PL DEC ±0.15   Angles ±1° 3 PL DEC ±0.08 3) Note reference =		<b>SIGNATURES</b> <b>DATE</b> DRAWN: RO    6-JUNE-17 CHECKED: AA    8-JUNE-17 ENGINEER: RO APPROVAL: WS    13-JUNE-17	
MATERIAL SPECIFICATIONS:		<div style="text-align: center; font-size: 2em; font-weight: bold;">Amphenol</div> Sine Systems - www.amphenol-sine.com 44724 Morley Drive Clinton Township, MI 48036 <b>C091 (M16) POS MALE RECEPTACLE 22AWG 8C LEADS, UL1569 300V</b>	
PROCESS SPECIFICATIONS: IPC-WHMA-A-620			
NEXT ASSY:		THIS DRAWING IS SUPPLIED FOR INFORMATION ONLY. DESIGN FEATURES, SPECIFICATIONS AND PERFORMANCE DATA SHOWN HEREON ARE THE PROPERTY OF THE AMPHENOL CORPORATION. NO RIGHTS OF REPRODUCTION ARE IMPLIED. ALL DIMENSIONS ARE SUBJECT TO NORMAL MANUFACTURING VARIATIONS.	SIZE: <b>C-</b> DWG NO: <b>CA0911G1180XX</b> REVISION: <b>A1</b>
		SCALE: HALF	CA0911G1180XX SHEET 1 OF 1

