



ATX LED Consultants Inc
815-A Brazos #326
Austin TX, 78701
512 377 6052
<http://atx-led.com>

AL-WS-010v smart 0-10v Dimmer switch with 3-Way, DC power and DALI



Product Description - wall switch with 0-10v output and Tunable White

This wall switch has three major applications

- as a smart wall switch for controlling many LED drivers via manual switch, DMX or DALI
- as a simple stand alone 0-10v wall switch for controlling LED lighting via 0-10v or PWM controls.
- for tunable white applications with color and brightness controls for 2 0-10v switches

The LED drivers can be 0-10 type, PWM type, DMX or DALI. This wall switch creates a simple multi master bus that controls the LEDs. It optionally works with our Hue Emulating Hub – allowing a large network to be controlled by App or Voice.

Wall Switch with Lighting control bus

Up to 63 of the AL-WS-010v can be wired in parallel to form a large multi master bus. The output of the bus can be either DMX or DALI. You can mix and match DMX and DALI LED drivers as needed. Each switch can have a unique address – or the same address can be used many times. When the same address is re-used – each one operates as a virtual 3-Way switch. Allowing the same LED driver to be controlled by multiple wall switches.

A proven rocker switch and brightness slider leverages mass production of 120 VAC switches, for a low voltage application – any casual user requires no training, no App to use this switch.

Smart control hub option

Connect a single Hub to the network. Our ZWD hub emulates the Philips Hue device and allows integration with Control 4, with Amazon Alexa and Google Home.

DMX interface option for DMX LED drivers

One AL-DALI-DMX device connects up to 63 switches to a DMX bus for control of any DMX based drivers. Up to 192 DMX addresses can be generated. See the AL-DALI-DMX device specs for details.

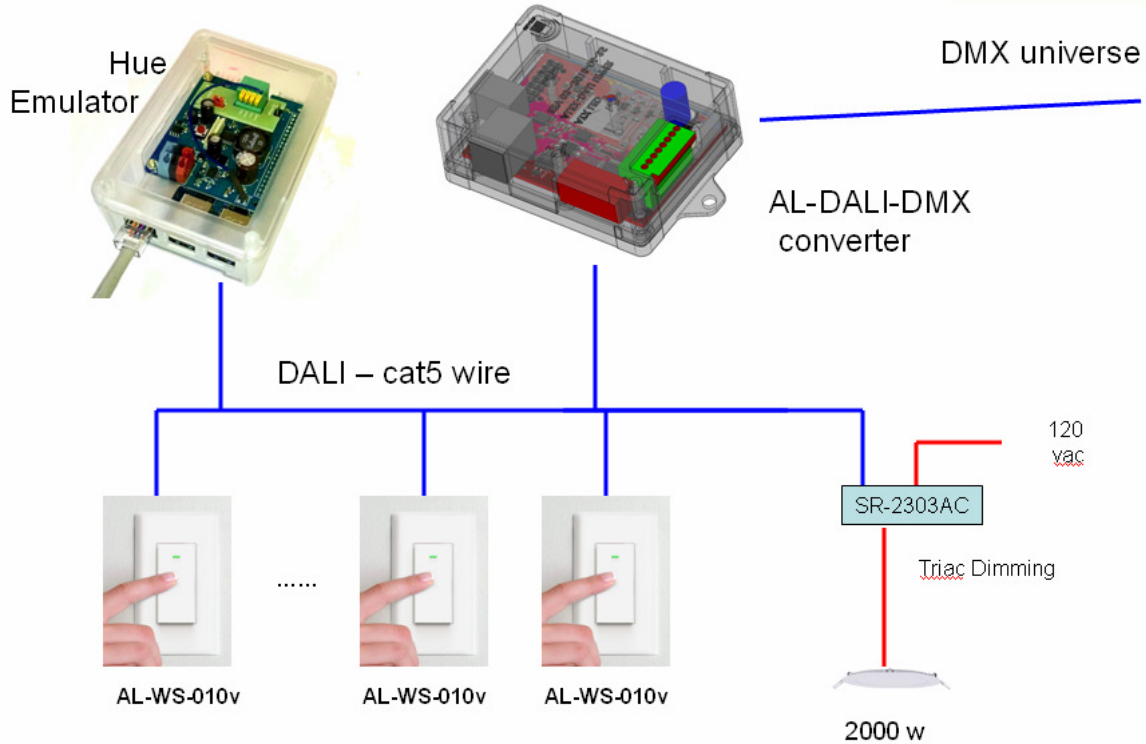
DMX interface from DMX consoles

Your DMX console can now control audience white lighting. The AL-DMX-DALI device accepts data from your existing DMX console, and merges that with the physical wall switches. The resulting combined physical switch and DMX console allows house lighting to be controlled by the DMX Stage console during performance, and also controlled by staff when the stage is not managed.

Dimming and Tunable White operation

The slider allows the brightness to be adjusted. A remote switch can also be used to adjust brightness. In additional – if you enter Tunable White mode – you can adjust the color temperature of CCT fixtures using either the DALI or DMX control method.

DMX House Lighting



Specifications

Power requirements
 Input Voltage (DALI bus)
 Input Voltage (without DALI)
 Power consumption

0 – 10v outputs

PWM output
 PWM input

Protection

Static Electricity

Operating Temperature
 Size

Receive Addressing

Transmit addressing
 FCC and interference

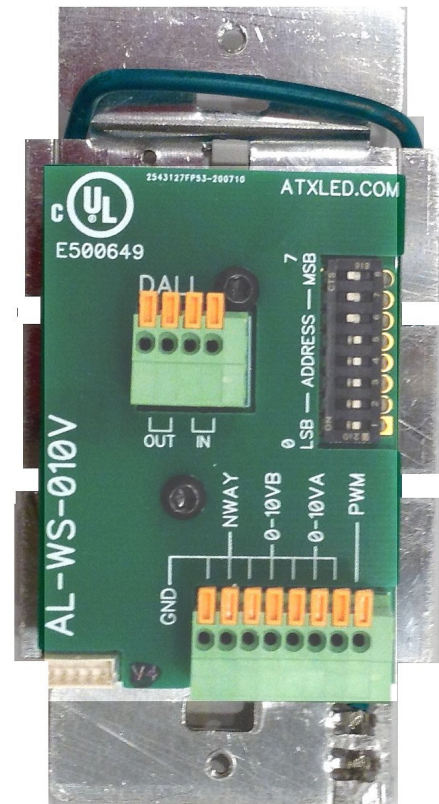
DMX support

DALI BUS interface

3-Way switching – physical

3-Way switching – virtual

DA pins - DALI bus – 5 ma max
 14 to 24 volts – (DALI Bus)
 24 volts via a 1800 ohm resistor
 64 milliwatts @ 15 volts plus the load on the 0-10v outputs if any.
 Off = 0 – 1 volt
 On is dimming from 1.2 volt to 10 volts
 100 Hz, 0-100 %, 0.5-2.8v, 1 mA max
 100 Hz, 0-100%, 0-3.3v, 100 uA
 Reverse protection and static protection on all pins
 Ground Metal plate to protect from Static Discharge – please ground it.
 0°C ~ 50°C
 108H (metal) 70H x 34 D x 42 W mm
 Switch addressable by onboard DIP or use a DALI master to assign a short address or group
 DALI standard 8 and 16 bits.
 All outputs are RF filtered for minimal interference
 See the AL-DALI-DMX device for control of a DMX universe
 DA Bus In and Out – 300 mA max
 AWG 18-24 gauge wire, spring terminals
 Simple contacts on the N-Way / Gnd terminals via AWG 18 – 24 wire
 Switches operate in multi master mode
 Allowing virtual N-Way control



0-10v and 1-10v Outputs

Connect the 0-10v output(s) to your LED driver(s). The dimming range is .4% to 100% to 254 steps. There are two 0-10v outputs, A and B.

- A and B are the same in normal operation (stand alone, until configured by DALI) in fixed color mode
- A is cool white in CCT mode.
- B is the warm white in CCT mode.

In fact – by default these are 1-10v outputs – below 1 volt is OFF, 1.2 volts is minimum Dim. Use the Write Memory Bank in DALI to change the minimum and maximum voltage levels in 39.2 mV steps. For example: 31 = 1.2 volts (the default for minimum voltage). Default is 31 for min and 255 for max.

Memory Bank 17 Minimum	Off Voltage	Minimum voltage	Memory Bank 18 Maximum	Maximum Brightness
31	0	1.2 Volts	255	10 volts
0-254 = value	0	Value times 39.2 mV	1 to 255	Value times 39.2mV

PWM Signal (Output or Input)

Connect the PWM output to your PWM LED driver. The dimming range has 1024 steps. The PWM output is a 0 to 3.3v signal is 100 Hz. The Min/Max can be set by DALI commands. Use the Minimum Dim level DALI command to change the default range The PWM output defaults to 0-100% In CCT mode – this signal can also be an input – see below. To enable the PWM input CCT mode – set the dip switches to 225 (DALI config mode with PWM input).

Powering the AL-WS-010v

Power the switch via the DA pins, it needs about 4.5 mA to operate, minimum 13 volts. Polarity is not significant.. Here are the power options

1. DALI power supply – typically 16 volts current limited to 260 mA per DALI spec
2. 24 volt power supply – use a 1800 Ohm resistor in series to limit the maximum current
3. 48 volt power supply – use a 6800 Ohm ¼ watt resistor in series, the device will limit the voltage to 24 volts
4. AL-PWS-8D PoE injector - we recommend 568B wiring and Orange/White as DA+ and Green and DA-

Power Up ID

If the AL-WS-010v is not in managed mode – then the first time a switch is flipped, 2 DTR packet will be output. These 2 bytes sent with global command 0xC3 – this loads the DTR2 register – and informs a bus master of the hardware and firmware version

Default Operation – Stand Alone

By default – the AL-WS-010v operates stand alone – no controller or master is required. By default – this is a DC powered 0-10v dimmer for any driver. If you need 3-Way switching please use a standard Decorator simple 2 or 3 way switch. Another use is door jam contacts. See 3-Way comments below

Hardware 3-Way Operation

N-Way signal functions

The N-Way input has several functional options. A simple low cost switch or alarm contact can be used to activate this. The options are: 3-Way, Push Button or Dual Output. Default is simple 3-Way. No DALI operation is required.

3-Way Operation without configuration

If you need 3-Way switching please use a standard simple 2 or 3 way switch connected to the N-Way input. Simply connect an wire (solid CAT-3 or better is recommended, solid awg20 is best) between the N-WAY pins and a remote standard wall switch. If more control switches are needed – see our application note “AN-3Way” at <http://atxled.com/pdf>. No controller is required; an unlimited number of switches can control one light. 3-Way works in default or DALI modes. The N-Way input has an internal pull-up (active low in computerspeak). The state of the N-Way input is XOR'd with the physical switch.

Push Button Operation

With the Push Button method - a switch like the RH-253 can be used. Each momentary action on the N-Way pin will toggle the light on / off. At power on – the AL-WS-010v will observe the “ON” time of any attached N-Way switch. If the N-Way is connected less than 500 milliseconds on 3 pushes after power on, then the AL-WS-010v operates in pushbutton mode. Each press of the push button will toggle an internal 3-Way function.

If the Push Button mode is incorrectly, set, then setting a normal switch to ON for more than 16 seconds will indicate to the AL-WS-010v that a regular ON/Off switch is connected.

Remote Dimming

If Push Button mode is active – then the switch connected to the N-Way input can be used to dim the LED. Press and hold to dim the LED down. To Dim up – hold the switch down until it fades to low, and continue to hold so it will brighten back up again. If you reach to high a dim level – then release and press again – the level will decrease. Do not hold the button longer than 15 seconds – since this will trigger non-momentary mode.

Door Jam Operation

With the default or Dual Output method enabled – a simple Normally Open or Normally Closed door alarm switch can be wired to the N-Way input. Then – when the door opens – the light will go on.

Manual Address DALI Bus Transceiver

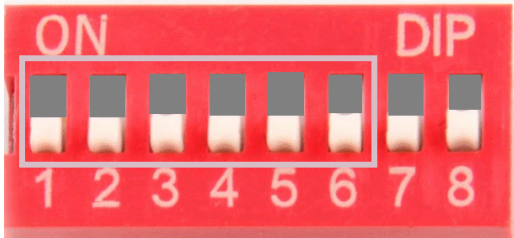
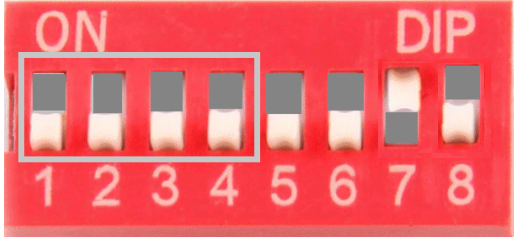
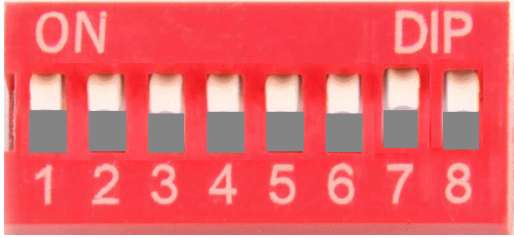
In this mode, – the device accepts and sends DALI ARC commands – so any DALI switch or master can connect to this device remotely for on/off/dimming – the 0-10v and PWM outputs are controlled by either the built in physical switch or from the DALI bus. DALI will override the On/Off DIM setting of the physical switch and force the output on or off. Physical Switch changes will be sent to the DALI bus on the individual, group or broadcast addresses set by dip switch. After a DALI command – flipping the physical switch will change the output again, with DALI acting as a virtual 3-Way switch – this is the main advantage of Transceiver mode vs. Transmitter mode.

Connect the DA+ and DA- to your DALI bus – polarity is not important – and a DALI power supply. Set the address according to the switches below. The device will respond to a single address, broadcast, or group commands.

This mode allows implementation with multiple switches controlling hundreds of watts of power in 2-way, 3-way and higher switch counts without complex wiring or DALI master.

The device receives and transmits only DALI ARC commands, plus the DALI Min/Max commands. See page 3 for the Min/Max logic. No DALI configuration commands will be processed. At power on the device will restore local outputs and remote DALI drivers to the last known values.

Switch Settings for Manual Address DALI Transceiver

	Mode	Address
	Individual Address Broadcast packets are received	The built in 0-10v and PWM outputs will receive commands on the DALI short address set by 1-6. Switch changes will be output on this group address LSB is switch 1, therefore DALI address 6 has switch 2 and 3 ON.
	Group Address Broadcast packets are received	The built in 0-10v and PWM outputs will receive commands on the DALI group address set by 1-4 Switch changes will be output on this group address Set the DALI group address in 1-4, LSB is switch 1, therefore DALI group 3 has switch 1 and 2 ON
	Broadcast	Switch values will be broadcast to all DALI fixtures, including those with no short addresses assigned.

Dip Switch settings for individual address

Code	Dip Switch Number								Code	Dip Switch Number							
	1	2	3	4	5	6	7	8		1	2	3	4	5	6	7	8
0	0	0	0	0	0	0	0	0	34	0	1	0	0	0	1	0	0
1	1	0	0	0	0	0	0	0	35	1	1	0	0	0	1	0	0
2	0	1	0	0	0	0	0	0	36	0	0	1	0	0	1	0	0
3	1	1	0	0	0	0	0	0	37	1	0	1	0	0	1	0	0
4	0	0	1	0	0	0	0	0	38	0	1	1	0	0	1	0	0
5	1	0	1	0	0	0	0	0	39	1	1	1	0	0	1	0	0
6	0	1	1	0	0	0	0	0	40	0	0	0	1	0	1	0	0
7	1	1	1	0	0	0	0	0	41	1	0	0	1	0	1	0	0
8	0	0	0	1	0	0	0	0	42	0	1	0	1	0	1	0	0
9	1	0	0	1	0	0	0	0	43	1	1	0	1	0	1	0	0
10	0	1	0	1	0	0	0	0	44	0	0	1	1	0	1	0	0
11	1	1	0	1	0	0	0	0	45	1	0	1	1	0	1	0	0
12	0	0	1	1	0	0	0	0	46	0	1	1	1	0	1	0	0
13	1	0	1	1	0	0	0	0	47	1	1	1	1	0	1	0	0
14	0	1	1	1	0	0	0	0	48	0	0	0	0	1	1	0	0
15	1	1	1	1	0	0	0	0	49	1	0	0	0	1	1	0	0
16	0	0	0	0	1	0	0	0	50	0	1	0	0	1	1	0	0
17	1	0	0	0	1	0	0	0	51	1	1	0	0	1	1	0	0
18	0	1	0	0	1	0	0	0	52	0	0	1	0	1	1	0	0
19	1	1	0	0	1	0	0	0	53	1	0	1	0	1	1	0	0
20	0	0	1	0	1	0	0	0	54	0	1	1	0	1	1	0	0
21	1	0	1	0	1	0	0	0	55	1	1	1	0	1	1	0	0
22	0	1	1	0	1	0	0	0	56	0	0	0	1	1	1	0	0
23	1	1	1	0	1	0	0	0	57	1	0	0	1	1	1	0	0
24	0	0	0	1	1	0	0	0	58	0	1	0	1	1	1	0	0
25	1	0	0	1	1	0	0	0	59	1	1	0	1	1	1	0	0
26	0	1	0	1	1	0	0	0	60	0	0	1	1	1	1	0	0
27	1	1	0	1	1	0	0	0	61	1	0	1	1	1	1	0	0
28	0	0	1	1	1	0	0	0	62	0	1	1	1	1	1	0	0
29	1	0	1	1	1	0	0	0	63	1	1	1	1	1	1	0	0
30	0	1	1	1	1	0	0	0									
31	1	1	1	1	1	0	0	0									
32	0	0	0	0	0	1	0	0									
33	1	0	0	0	0	1	0	0									

Dip Switch Settings for Group 0-15

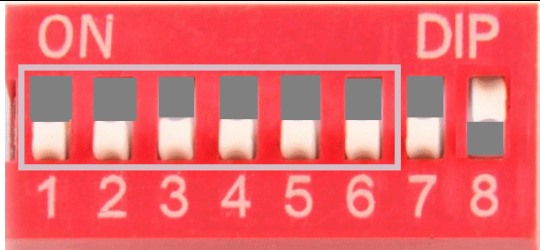
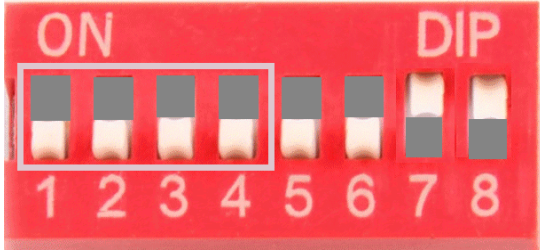
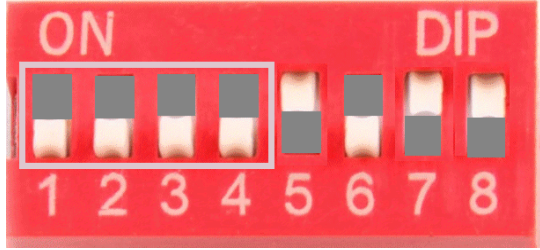
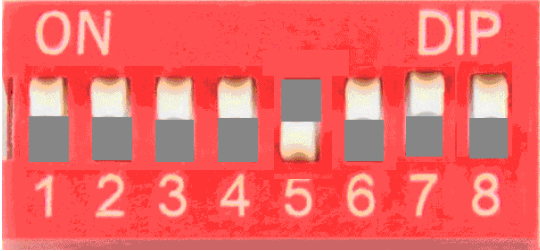
Code	Dip Switch Number							
	1	2	3	4	5	6	7	8
0	0	0	0	0	0	0	1	0
1	1	0	0	0	0	0	1	0
2	0	1	0	0	0	0	1	0
3	1	1	0	0	0	0	1	0
4	0	0	1	0	0	0	1	0
5	1	0	1	0	0	0	1	0
6	0	1	1	0	0	0	1	0
7	1	1	1	0	0	0	1	0
8	0	0	0	1	0	0	1	0
9	1	0	0	1	0	0	1	0
10	0	1	0	1	0	0	1	0
11	1	1	0	1	0	0	1	0
12	0	0	1	1	0	0	1	0
13	1	0	1	1	0	0	1	0
14	0	1	1	1	0	0	1	0
15	1	1	1	1	0	0	1	0

Manual Address DALI bus Transmitter

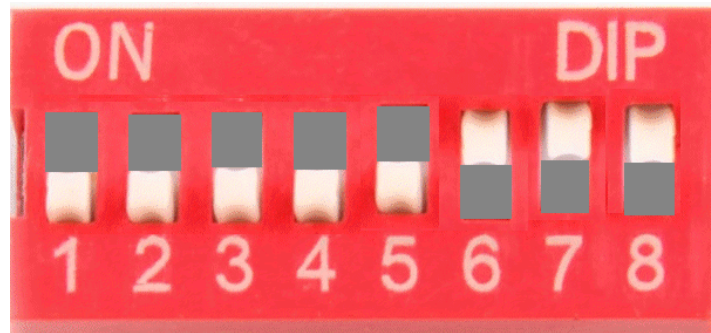
The on-board switch will broadcast changes in the switch settings according to the address set below: The 0-10v / PWM outputs simply track the local dim and On/Off levels. Only DALI ARC commands are transmitted. No DALI configuration commands will be processed, but Min and Max will be determined automatically and listened to as explained on page 3. Virtual 3-way is disabled – if another DALI master has turned a Light on/off – the rocker switch might need a double throw.

Power on DIM is set to turn the 0-10v and PMW outputs to off, no Power On DALI packets will be sent.

Switch Settings for Manual Address DALI Transmitter

	Mode	Address
	Individual Address	The built in switch will transmit on the DALI short address set by 1-6 LSB is switch 1, therefore DALI address 6 has switch 2 and 3 ON.
	Group Address	The built in switch will transmit the group address set by 1-4, LSB is switch 1, therefore DALI group 3 has switch 1 and 2 ON
	Scene Address	The built in switch will transmit the scene address set by 1-4, LSB is switch 1, therefore DALI address 6 has switch 2 and 3 ON.
	Broadcast	Switch values will be broadcast to all DALI fixtures, including those with no short addresses assigned.

Configurable (full) DALI Operation



Set to this setting to enable configuration by DALI controller

This mode allows the AL-WS-010v short address and all other settings to be set via a DALI configuration device – for example the USB DALI-100. Until configured – the device will only respond to broadcast commands, and will not transmit DALI on switch changes. By default – no short address is defined.

For DALI operation - connect your powered DALI bus to the DA+ and DA- pins (polarity is not significant). Our implementation allows multiple masters – we use collision detection to avoid conflicts on the bus.

The device responds to the provisioning commands from a DALI controller. In order for individual, scenes and group addressable functions to work, a 'short' address [0 thru 63] needs to be assigned. This can be done by a DALI Master such as the DALI-100. Once a short address is assigned – the device can be understood to operate as two devices in one.

1) DALI driver – the 0-10v and PWM outputs will have a unique DALI short address after provisioning. This address is automatically assigned to a group with the short addresses included in one group. The 0-10v and PWM output is then connected to LED drivers and they can now be controlled by DALI commands from the bus. All DALI commands are supported. The actual address, and group assigned can be changed by the DALI master like the DALI-100. The default Group assigned to the switch is the same as the short address assigned. Since Groups are between 0-15, Short Addresses above 15 are not assigned any group automatically – you can do that with the DALI-100.

2) DALI Dimmer / Switch – after provisioning – the Switch in this device is automatically placed into Group mode – flipping the switch, or the 3-way remote switches, or the dimming value will cause a DALI Group command to be sent internally to the driver 0-10v output as well as externally to the DALI bus. Since the internal 0-10v output is automatically loaded into the assigned group for the switch – the device works as expected. You can change this behavior using a DALI-100 master controller and assign any other Dali drivers to the Group address commands sent by this switch.

Note: since Groups are between 0-15, switches with short addresses above 15 are not assigned any group automatically. A switch with addresses 16-63 will broadcast on its short address until a group is assigned.

3) A DALI Reset command will return both functions to default (broadcast) receive operation, transmit is disabled until a short address is assigned.

An alternate setting of config mode is 225 (vs 224). Set switch 1 up in addition to the others. This forces the PWM into input mode for external Dimming control and enables local CCT slider control.

Default DALI Operation

By default – the AL-WS-010v only responds to DALI broadcast commands. There is no group or short address assignment. Since the device accepts DALI broadcast commands – so any DALI switch or master that sends broadcast commands can connect to this device remotely for on/off/dimming – the LED outputs are controlled by the switch or DALI broadcast packets. In Default mode – no DALI transmissions occur. DALI packets override the local switch setting.

Full DALI Operation

For full DALI operation - connect your powered DALI bus to the DA+ and DA- pins (polarity is not significant) of the AL-WS-010v. The device responds to the provisioning commands from a DALI master. In order for addressable functions to work, a 'short' address [0 thru 63] needs to be assigned. This can be done by a DALI Master with configuration features. Once a short address is assigned – the device can be understood to operate as two devices in one.

1) LED driver with DALI control – the LED outputs will have a unique DALI short address after provisioning. The LED driver outputs are connected to LED's and they can now be controlled by DALI commands from the bus. All DALI commands are supported. The actual address and group is defined and can be changed by the DALI master. See below.

2) Dimmer / Switch with DALI outputs – after provisioning – the switch in this device is placed into either short address or Group mode – see below – flipping the switch, or the 3-way remote switches, or the dimming value will cause a DALI command to be sent internally to the PWM and 010v outputs as well as externally to the DALI bus.

3) A DALI Short Address Reset command will return the device to Broadcast receive mode.

Use a AL-DALI-PI or DALI-100 or similar provisioning tool to assign short and group addresses.

DALI Address Assignment - Auto - Grouping

The switch from the factory has no DALI Short address by default. When a DALI master assigns a short address to the switch, one built-in feature rule has been implemented in all DALI ATX-LED devices.

- If the short address assigned is from 0-15, then the built-in switch will send a Group On/Off/Dim command to the DALI bus each time the local status changes – On, Off, Dim – from the switch, slider or N-Way. This method allows multiple AL-WS-010v to be configured as a gang – to all operate as one switch. After assigning each device a short address less than 16, add to each device the group address of the others to be ganged together. An AL-DR2 can also be assigned to the same group.

An AL-WS-010v can thus be used as a 3-Way switch with full slider dimming. Use the dip switches in the AL-WS-010v to set it to a fixed Group address 0-15 for remote On/Off/Dim. Set the AL-WS-010v via dip switch to a Group (say starting at 15 downward) and use the DALI Master to assign the DR2 target to the same numeric short address as that Group (say 15)

- If the short address is from address 16-63, then the switch will output these state changes using its short address, not a group address:

DALI commands also are used to determine the 3-Way state. Therefore, a DALI command with the matching Group or Individual address will set the attached 0-10v or PWM light on or off – and all local switches – physical or virtual – will reflect that change – so that the next flip of any switch will turn the light off or on as intended. This may result in UP and DOWN being reversed – like any conventional 3-way mechanical switch.

Minimum/Maximum slider range

After power up, the first OFF to ON transition of the switch will cause the switch to check the DALI bus for optimal slider operation. It will scan the DALI bus to find a driver with a matching address and will read back the Min / Max levels. In individual mode – just one address will be read. In Group mode – the 64 short addresses will be scanned to find a member belonging to the group – the first member discovered in the group will then be individually read and the search ends. The Min/Max levels will then be used for the bottom and top of the slider. Therefore, dimming control remains in the useful range. This scan of the DALI bus will occur with the next flip if the short address or the group address is changed (locally or by DALI command) or at power on. Finally – the device is listening to DALI bus Min / Max settings and storing them locally to adapt as needed to changing external fixtures. These settings do not change the 0-10v and PWM outputs – only the Slider Values – they are not stored and are refreshed if power is restarted.

Tunable White Color Control to DALI bus

When the switch is set to send CCT mode (see CCT Mode) – a CCT tunable DALI driver on the DALI bus will be given Color adjustment commands according to DALI type 8 commands. Therefore color can be adjusted in a CCT LED Fixture. The AL-WS-010v switch sends a broadcast command 272, with DTR set to 8, to enable CCT modes in the destination. The next command sets DTR1 and DTR to the color temperature using the command 231; finally a command 226 is sent to activate the color. Note – commands 231 and 226 can be individual or group or broadcast commands. The low end of the slider is 2700 K and the top end is 5000K – 165 thru 511 decimal. These values are normally saved in the fixture.

Tunable White 1-10v Color Control from DALI bus

When the switch has CCT enabled (dip switches set to 225), the dual 1-10v outputs will operate in CCT mode – the values will be color shifted as selected. Therefore color can be adjusted if wired to a CCT LED fixture with dual 0-10v inputs.

If a DALI master is used to set the color by 0-10v, the AL-WS-010v switch listens for a broadcast command 272, with DTR set to 8, to enable CCT mode. The next command sets DTR1 and DTR to the color temperature using the command 231; finally a command 226 is sent to activate the color. Note – commands 231 and 226 can be individual or group or broadcast commands. The low end of the slider is 2700 K and the top end is 5000K – 165 thru 368 decimal. These values are saved in the AL-WS-010v – so that standard dimming functions operate at the selected color temperature. The mapping of DALI value to color is possible with the memory write command.

Manual local CCT control mode

The PWM signal can also be an input – if input mode is enabled, the device enters a 1-10v CCT mode. Two methods are supported: (firmware 22 or later required). If DALI is used and the destination address set supports CCT (type 8 returned from command 153) then CCT values will be sent using DALI type 8 commands. The 0-10v outputs of the switch will operate in CCT mode – shifting from warm to cool as the slider moves

- a) Jumper the PWM pin to ground for stand alone operation.

Moving the slider with the 0-10v outputs OFF changes the Color temperature. The slider will go from warm (bottom) to cool (top). Turning the switch On exits CCT mode and the slider controls the brightness again

- b) Connect the PWM pin to a PWM source (100 hz or slower) - like another AL-WS-010v

This allows dimming via the PWM input. Set the DIP switches to 225 to enable this mode. The slider then only controls the Color Temperature – not the brightness.

Software 3-Way Operation – DALI configuration

Virtual 3-Way

The Virtual method uses 2 or more AL-WS-010v devices with the same short or group address which communicate via the DALI bus. Using the Virtual method just means that each AL-WS-010v will XOR it's physical switch state with the data it receives to its address from the DALI bus. The result allows unlimited numbers of switches to dim and control a common light. See section below on addressing.

By extension – DALI commands from other devices – such as AL-DALI-Wiz or AL-DALI-Pi receive commands from the Cloud (Alexa, Google, etc) and output those on the DALI bus. These commands (on, off, dim) override the local switch setting – operating as 3-Way switches. Therefore, rocker UP or DOWN will be inverted if a command has arrived from the cloud.

N-Way options using DALI command 35 Options

Additional N-Way modes can be set with DALI command 35 – see full DALI mode below. These modes are

- | | |
|---|--|
| 0 | THREE WAY (Default) |
| 2 | DUAL SWITCH (two outputs share the DIM level,
with individual switch controls) |

Dual Switch Operation

With the Dual Output method enabled – available on AL-WS-010v modules with two 0-10v outputs, the built-in switch will control 0-10v output B and an external N-Way switch will control 0-10v output A. The dimmer level will be the same for both. To enable this mode – use a DALI Master to send the command decimal 35 with a value of 2. A value of 0 will reset this feature (default is 3-Way).

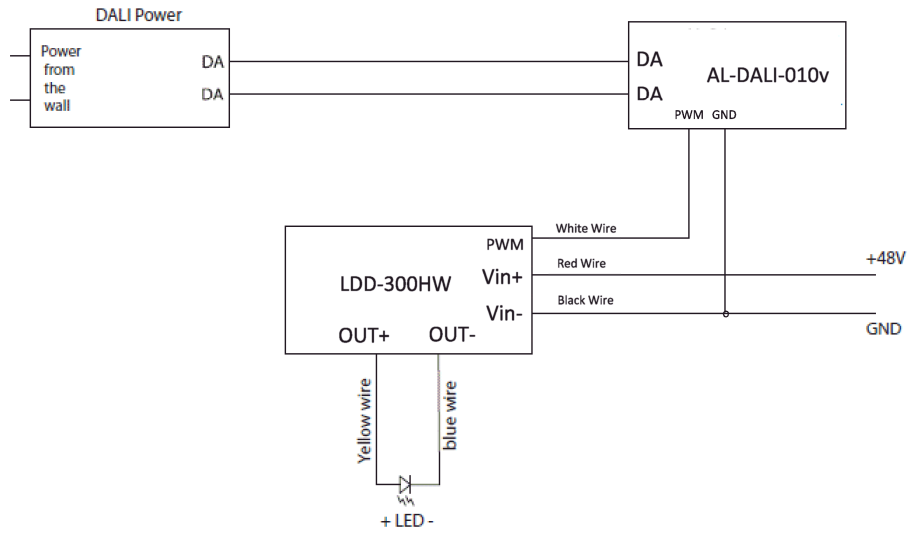
Group Operations

In all modes, if more than one Group is set – the device will respond to those groups – but will only broadcast physical switch and dim level changes using one group. Either the DIP switch is used, or the group set when a short address is set by a DALI master. If the short address is < 16, then the transmit group is that same address.

Example of Driver Connections

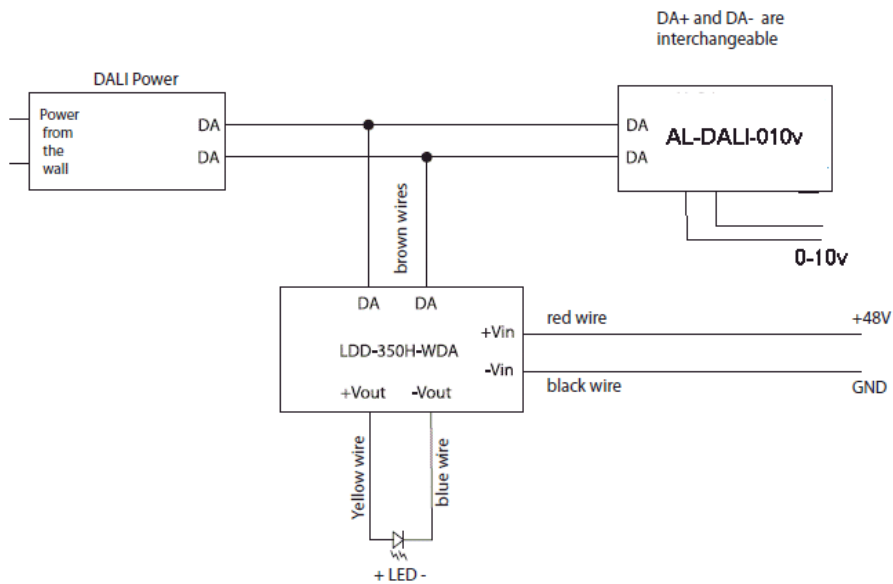
Meanwell LDD-300H PWM

Connecting a AL-DALI-010v to a Meanwell LDD-300HW



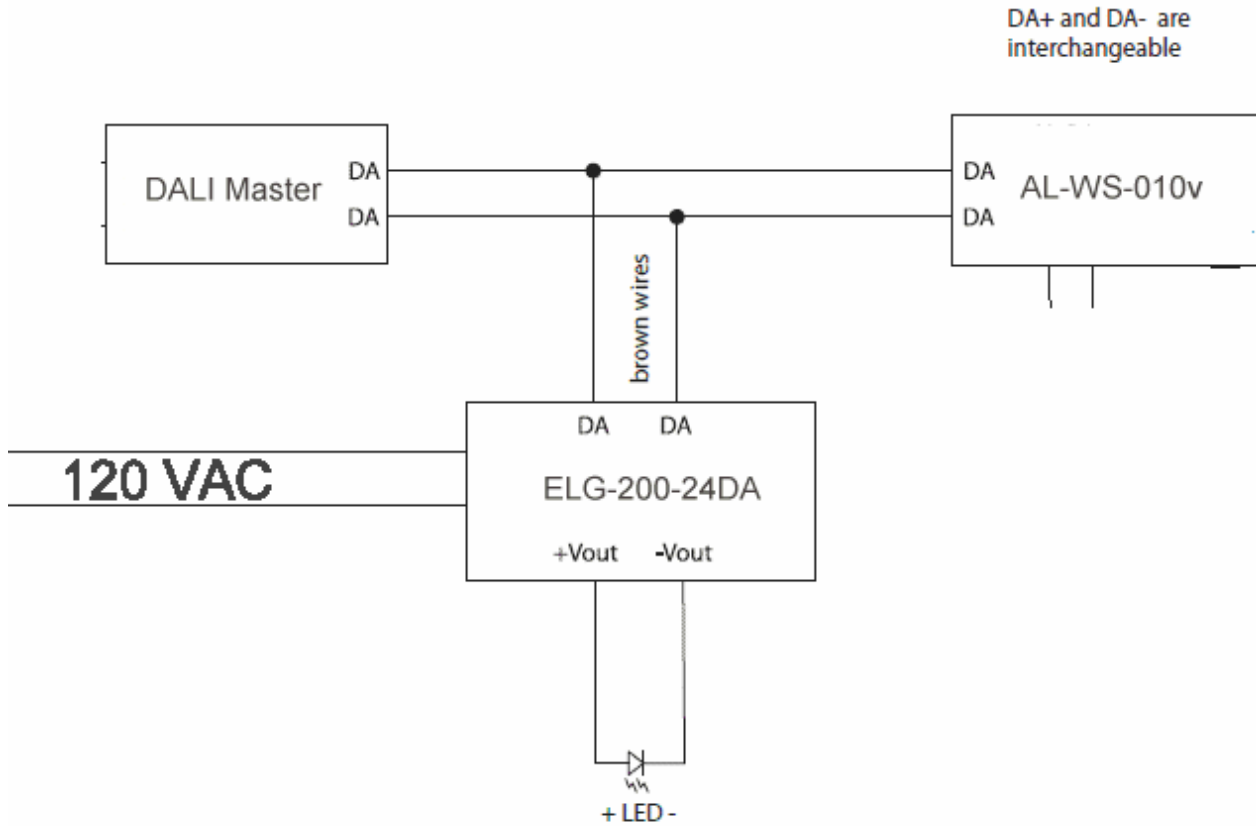
Meanwell LDD-350H-DA DALI

Connecting a AL-DALI-010v to Meanwell LDD-350H-WDA



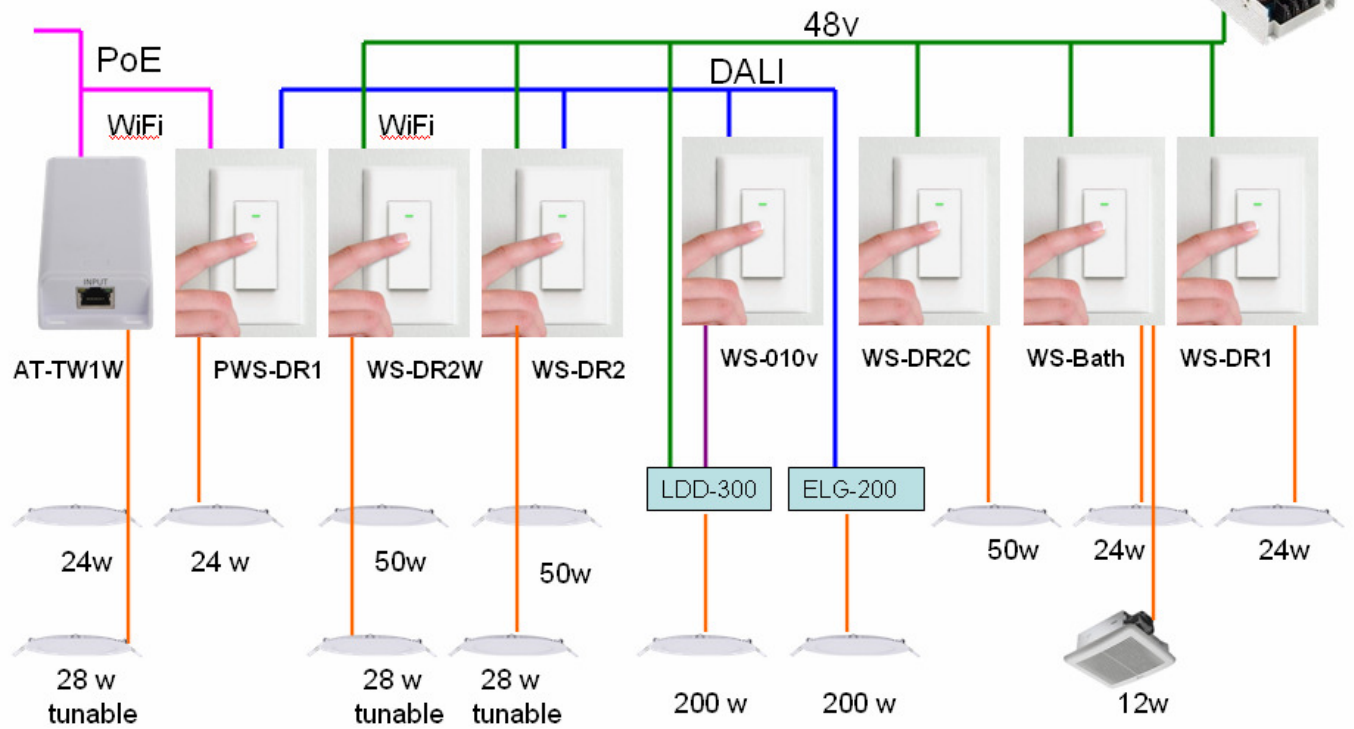
Meanwell ELG-200-24DA DALI

Connecting a AL-WS-010v to a DALI driver (like Meanwell)



ATX LED

100% DC low voltage



DALI Commands Supported

Notes: * = 2x in 100ms, A = ATX LED, C = CCT modes

0	LED Off		
1	UP 8 steps		
2	Down 8 steps		
3	UP one step but don't turn on		
4	Down one step but not off		
5	Set to MAX level		
6	Set to Min level		
7	Down one step and Off if needed		
8	Up one step or on if needed		
32	Reset to defaults (don't change Short Address)		
33	Save ARC level to DTR		
A 35	Set N-Way mode (DTR is the value)		See table below
38	Reset switches to mechanical state (Up = On)		
42	Store DTR as new Max Level,		
43	Store DTR as new Min Level		
44	Store DTR as new system Fail Level		Not used
45	Store DTR as new power up level		
46	Store DTR as Fade Up duration		
47	Store DTR as Fade Down duration		
	FADE times in seconds (0-7)	0, .7, 1.0, 1.4, 2.0, 2.8, 4.0, 5.6	
		(8-15) , 8.0, 11.3, 16.0, 22.6, 32.0, 45.2, 64.0, 90.0	
49	Set UPS mode, DTR => temporary Maximum	Min-254	Reset with 255
128	Store DTR as short address		
* 129	Enable memory Bank write		
144	Query Status		
bit 0	Left Led Fail (DR2)		
bit 1	Right LED Fail (DR2)		
bit 2	ARC Level greater than 0		
bit 3	ARC setting out of range		
bit 4	Fade in action		
bit 5	Device not configured after reset		
bit 6	Missing Short Address		
bit 7	No ARC level set after power failure		
145	Query if Short Address matches one stored		
146	Query if either attached LED failed or missing		
147	Query if LED on		
148	Query if ARC command exceeded Min / Max		
149	Query if in Reset state		
150	Query if no address assigned		
151	Query DALI version number (== 1)		
152	Query DTR		
153	Query LED type (return 6 normally, or 8 if CCT mode enabled		
154	Query Physical DIM level (See DR2 info)		
155	Query Power Failure		
156	Query DTR 1		
157	Query DTR 2		
A 158	Query N-Way mode		
160	Query Actual Dim Level		

DALI Commands Supported

	161	Query Max Level	
	162	Query Min Level	
	163	Query Power On Dim Level	
	164	Query System Fail Level	
	165	Query Fade Rate value	
A	166	Query HW Type (2 = 0-10v, 1 = DR2)	
	171	Query presence of 0-10v in transceiver mode = response == 0xA5	
	192	Query group association 0-7	
	193	Query group association 8-15	
	194	Query Random High bits	
	195	Query Random Middle bits	
	196	Query Random Low bits	
	197	Query Memory Bank address DTR1:DTR	
C	226	Save CCT setting	
C	231	Set CCT color (value from DTR)	
C	232	Step CCT Cooler	
C	233	Step CCT Warmer	
C	250	Query Color	
	255	Test CCT mode	Response is 209

Global Commands – processed by all DALI devices on the bus

			Hex
	256	Terminate	A1
	257	Set DTR	A3
*	258	Initial Addressing Mode	A5
	259	Randomize	A7
	260	Compare Random Address	A9
	261	Withdraw from Random Addressing	AB
	264	Set High Byte	B1
	265	Set Middle Byte	B3
	266	Set Low Byte	B5
	267	Set Short Address if match	B7
	268	Query Short Address	B9
	269	Query Long Address Match	BB
	272	If value == 8, enable CCT mode	C1
	273	Set DTR1	C3
	274	Set DTR2	C5
	275	Write Data at Memory Bank DTR1:DTR	Send confirm C7
	276	Write Data at Memory Bank DTR1:DTR	no response C9

Memory Bank 0

Address	Bank 0 Name	Bank 0 Value
0	Bytes per Bank (minus 1)	63
1	Checksum	calculated
2	Number of Banks (minus 1)	3
3	UPC code – msb	722512407282
4	UPC code	
5	UPC code	
6	UPC code	
7	UPC code	
8	UPC code – lsb	
9	FW Version	
10	HW Version	
11	Serial Number – msb	Assigned by Master
12	Serial Number	
13	Serial Number	
14	Serial Number – lsb	
15	N-Way Mode	
16	Future	255
17	0-10v Minimum Dimming Voltage (off is 0 volts)	Default: 25 = 1.0v (1-10v mode)
18	0-10v Maximum Voltage	Default: 254 = 10 volts
19	DALI value for cool divided by 2	Default is 70 (140)
20	DALI value for warm divided by 2	Default is 185 (370)
21-63	Storage	User Defined

Memory Bank 1-3

Address	Name	Value
0	Bytes per Bank (minus 1)	63
1	Checksum	Calculated
2	Number of Banks (minus 1)	3
3-63	User Storage	

Memory Bank 4 (read only)

Address	Name	Value
3	Up Time	Hours / 256
4	Up Time	Hours (8 years max)
5	On Time	Hours / 256
6	On Time	Hours (8 years max)
7	Power Used	Dim level * Hours
8	Power Used	(Dim level * Hours) /256
9	Remote Min Level	1-254
10	Remote Max Level	2-254
11	Internal debug	-

System Configuration and Debug Tools

Version 31 and later firmware supports these debug operations: Note – these are broadcast commands, so every device on the bus will be programmed to these settings. Use with care.

Mode 253 Pulse mode:

Setting the DIP switches to 253 (all on, #2 off) enables pulse mode. If the switch is ON, then the slider will set the ON level for one second pulses. The AL-WS-010v will output DALI broadcast commands with one second ON and one second OFF. The pulsing stops if the switch is turned off.

Mode 252 Minimum dim setting of local 0-10v outputs

Setting the DIP switches to 252 (all on, #1 and #2 off) enables physical minimum dim mode of this switch. The output voltage for minimum LED brightness will be set. When the rocker switch turned from OFF to ON, moving the slider will adjust the physical minimum dim level, this value will be stored into device memory. Turn the slider OFF when done, then change the DIP switch settings.

Mode 251 Minimum dim setting of ALL remote devices

Setting the DIP switches to 251 (all on, #3 off) enables setting the minimum dim value. After turning the rocker switch from Off to On, moving the slider will adjust the Minimum dim level of ALL connected DALI devices on the bus, these values will be stored into device memory of every device on the bus. Take note! Turn the slider OFF when done, then change the DIP switch settings. Disconnect any device that should not be programmed!

Mode 249 Power On/Fail level of ALL remote devices

Setting the DIP switches to 249 (all on, #2 and #3 off) enables setting Power / Fail values. Turning the rocker switch from Off to On, the slider will adjust the Fail and Power On dim level of ALL connected DALI devices on the bus, these values will be stored into device memory of every device on the bus. Take note!. Turn the slider OFF when done, then change the DIP switch settings.