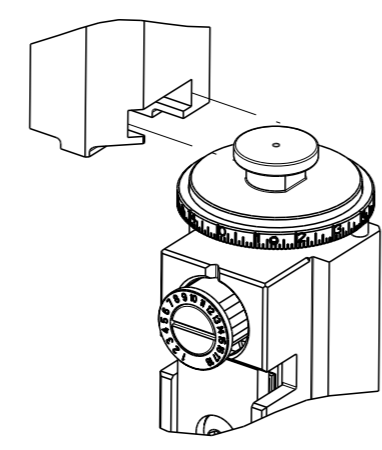


| PART NUMBER | REVISION | DESCRIPTION                            | FEED TYPE  |
|-------------|----------|--|------------|
| 2266027-1   | D        | FINE CRIMP HEIGHT ADJUST               | MECHANICAL |
| 2266027-2   | D        | FINE CRIMP HEIGHT ADJUST               | PNEUMATIC  |
| 5-2266027-1 | D        | SEAL STRIPPER CRIMPER TERMINATING UNIT | MECHANICAL |
| 5-2266027-2 | D        | SEAL STRIPPER CRIMPER TERMINATING UNIT | PNEUMATIC  |
| 7-2266027-1 | D        | MECHANICAL AND CRIMP TOOLING KIT       | MECHANICAL |
| 7-2266027-2 | D        | PNEUMATIC AND CRIMP TOOLING KIT        | PNEUMATIC  |
| 7-2266027-7 | A        | CRIMP TOOLING KIT                      | -          |

ATLANTIC VERSION TERMINATOR INTERFACE ADAPTER



| APPLICATOR DATA |                |      |
|-----------------|----------------|------|
| CRIMP           | SIZE           | TYPE |
| WIRE            | 2.03 mm [.080] | F    |
| INSUL           | 3.81 mm [.150] | O    |

APPLICATOR INSTRUCTIONS 408-35042

| TERMINAL DATA: APTIV/DELPHI TERMINAL FCI/DELPHI CRIMP SPECIFICATION |                                    |
|---|------------------------------------|
| TERMINAL NAME: CONTACT DCS 2-2.8                                    |                                    |
| WIRE STRIP LENGTH   | TERMINAL INSULATION DIAMETER RANGE |
| 3.90-4.70 mm [.154-.185 IN]   | ∅1.40-2.10 mm [.055-.083 IN]       |
| TERMINAL APPLICATION SPECIFICATION                                  | 90841100, PG 1 OF 4 Rev K          |

| TERMINAL DATA: APTIV/DELPHI TERMINAL FCI/DELPHI CRIMP SPECIFICATION |                              |
|---|------------------------------|
| TERMINAL NAME: TERMINAL   |                              |
| WIRE STRIP LENGTH   | INSULATION DIAMETER RANGE    |
| 3.90-4.70 mm [.154-.185 IN]   | ∅1.40-2.10 mm [.055-.083 IN] |
| TERMINAL APPLICATION SPECIFICATION                                  | 90841100, PG 1 OF 4 Rev K    |

| TERMINALS APPLIED |                       |           |                   |
|-------------------|-----------------------|-----------|-------------------|
| TE TERMINAL       | APTIV/DELPHI TERMINAL | TE SEAL   | APTIV/DELPHI SEAL |
| 2113373-1         | 60012931              | 2113175-1 | 60994023          |
| 2113373-2         | 60014031              | 2113590-1 | 60994015          |
| 2113373-3         | 60014032              | 2113590-2 | 10779162          |
| 2113373-4         | 60012131              | 828904-1  |                   |
| 2113373-5         | 60012134              |           |                   |
| 2113373-6         | 60012934              |           |                   |
| 2113373-7         | 60014234              |           |                   |
| 2113373-8         | F028600               |           |                   |

| TERMINALS APPLIED |                       |           |                   |
|-------------------|-----------------------|-----------|-------------------|
| TE TERMINAL       | APTIV/DELPHI TERMINAL | TE SEAL   | APTIV/DELPHI SEAL |
| 2113174-1         | 60110731              | 2113175-1 | 60994023          |
| 2113174-2         | 60110734              | 2113590-1 | 60994015          |
| 2113174-3         | 60110732              | 2113590-2 | 10779162          |
| 2113174-4         | 33505427              | 828904-1  |                   |
| 2113174-5         | 10756352              |           |                   |
| 2113174-6         | 33500682              |           |                   |
| 2113174-7         | 60110531              |           |                   |
| 2113174-8         | 60110534              |           |                   |

| WIRE SIZE         | CRIMP HEIGHT mm [INCH]     | CRIMP HEIGHT REFERENCE SETTING |
|-------------------|----------------------------|--------------------------------|
| 1.00mm2           | 1.25+/-0.04 [.049+/-0.002] | 5.8                            |
| 18 AWG OR 0.75mm2 | 1.20+/-0.04 [.047+/-0.002] | 6.5                            |
| 20 AWG OR 0.50mm2 | 1.17+/-0.04 [.046+/-0.002] | 6.8                            |

**\*WARNING**  
 ON INSTALLATION, SET WIRE DISC TO CRIMP HEIGHT REFERENCE SETTING FOR LARGEST WIRE SIZE. CRIMP HEIGHT REFERENCE SETTINGS GREATER THAN THE VALUE SHOWN MAY CAUSE DAMAGE TO THE CRIMP TOOLING. REFER TO THE INSTRUCTION SHEET FOR PROPER SETUP AND ADJUSTMENTS.

- 1 RECOMMENDED SPARE PARTS
- 2 REFER TO SUPPLIED INSTRUCTION SHEET FOR CLEANING, LUBRICATION AND STORAGE OF APPLICATOR.
- 3 APPLY PART NUMBER 2-23419-6 LOCTITE TO THREADS OF ITEM 242. APPLY PART NUMBER 1-23419-5 LOCTITE TO THREADS OF ITEM 180.
- 4 CRIMP HEIGHT REFERENCE SETTING WAS THE SETTING USED WHEN THE APPLICATOR WAS QUALIFIED AT THE FACTORY. ADJUSTMENT MAY BE NECESSARY WHEN RUNNING APPLICATOR IN THE FIELD.
- 5 APPLY TORQ-SEAL IN ALLEN SOCKET TO FILL HOLE AFTER FLAT HD HAS BEEN ADJUSTED TO CORRECT HEIGHT AT QUALIFICATION. APPLY #1-23419-5 LOC-TITE TO THREADS.
- 6 UNLESS SPECIFIED OTHERWISE TORQUE VALUES SHALL BE USED PER DOCUMENT, 101-35000.
- 6 TERMINAL LUBRICANT IS RECCOMENDED.

| LOC | DIST | REVISIONS |     |               |           |     |      |
|-----|------|-----------|-----|---------------|-----------|-----|------|
| A   | 66   | #         | LY# | DESCRIPTION   | DATE      | OWN | APVD |
|     |      | A         |     | RELEASED      | 03OCT2013 | BH  | TE   |
|     |      | B         |     | ECR-19-011425 | 19JUL2019 | TB  | TE   |
|     |      | C         |     | ECR-20-018038 | 22DEC2020 | FJ  | RR   |
|     |      | D         |     | ECR-21-003265 | 16MAR2021 | JWC | TE   |

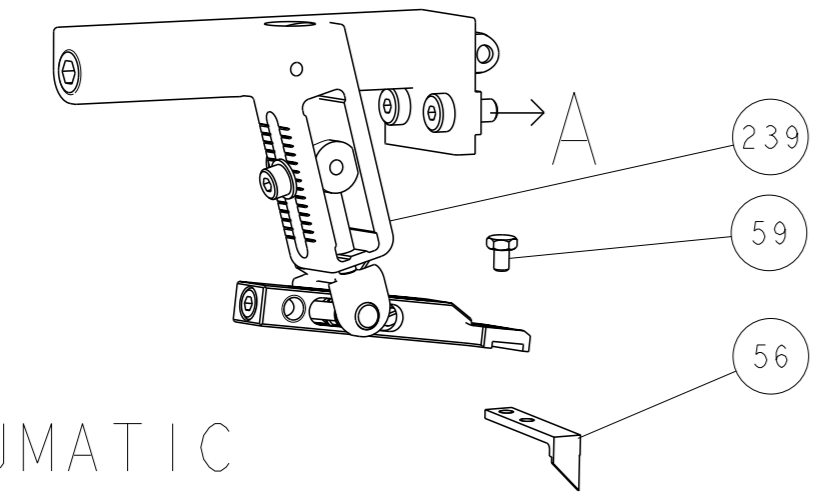
|   |     |     |     |     |     |     |             |                                     |     |
|---|-----|-----|-----|-----|-----|-----|-------------|-------------------------------------|-----|
| - | -   | -   | 1   | 1   | -   | -   | 1803515-3   | RAM ASSEMBLY, SF ATLANTIC           | 293 |
| - | -   | -   | 1   | 1   | -   | -   | 2-1803583-1 | APPLICATOR BASIC ASSEMBLY, SF       | 292 |
| - | 1   | -   | 1   | -   | 1   | -   | 2119641-1   | FEED CAM, AIR FEED                  | 248 |
| - | 1   | 1   | 1   | 1   | 1   | 1   | 2119082-7   | CAM, SNAIL, INSULATION ADJUSTMENT   | 244 |
| - | 1   | 1   | 1   | 1   | 1   | 1   | 2079764-1   | WASHER, WAVE SPRING, CREST-TO-CREST | 243 |
| - | 1   | 1   | 1   | 1   | 1   | 1   | 2119083-1   | RETAINER, INSULATION DIAL           | 242 |
| - | 1   | 1   | 1   | 1   | 1   | 1   | 7-18023-7   | SCR, SKT HD CAP M3 X 4.0            | 241 |
| - | -   | 1   | -   | 1   | -   | 1   | 2119580-1   | MECHANICAL FEED ASSEMBLY            | 239 |
| - | 1   | -   | 1   | -   | 1   | -   | 2844940-1   | AIR FEED MODULE                     | 238 |
| - | -   | -   | 1   | 1   | -   | -   | 4-1722335-3 | STRIPPER, SIDE FEED                 | 182 |
| - | -   | -   | 1   | 1   | -   | -   | 1-5018030-0 | NUT, HEX, REG, RoHS, M3.5           | 181 |
| - | -   | -   | 1   | 1   | -   | -   | 2-1752354-0 | STANDOFF, HOLD-DOWN                 | 180 |
| - | -   | -   | 1   | 1   | -   | -   | 993111-1    | PIN, SLOTTED SPRING 3.0 X 20.0      | 177 |
| - | -   | -   | 1   | 1   | -   | -   | 5-22280-0   | SPRING, COMPRESSION                 | 176 |
| - | -   | -   | 1   | 1   | -   | -   | 1752353-3   | GUIDE PIN, HOLDDOWN                 | 175 |
| - | -   | -   | 1   | 1   | -   | -   | 1901680-2   | GUIDE PIN, HOLDDOWN                 | 174 |
| - | REF | REF | REF | REF | REF | REF | 994970-2    | COUNTER, MAGNETIC                   | 164 |
| - | 1   | 1   | 1   | 1   | 1   | 1   | 2119955-1   | ASSY, LUBRICATOR, SIDE FEED         | 113 |
| - | 1   | 1   | 1   | 1   | 1   | 1   | 2844908-1   | SCREW, LOCKING                      | 99  |
| - | 1   | 1   | 1   | 1   | 1   | 1   | 2844907-1   | POST, LOCKING                       | 98  |
| - | 1   | 1   | 1   | 1   | 1   | 1   | 455888-6    | SPACER, CRIMPER                     | 82  |
| - | 1   | 1   | 1   | 1   | 1   | 1   | 1803607-3   | DOCUMENTATION PACKAGE               | 71  |
| - | 1   | 1   | 1   | 1   | 1   | 1   | 2119740-1   | TAG, IDENTIFICATION                 | 67  |
| - | 2   | 2   | 2   | 2   | 2   | 2   | 2168078-1   | SCREW, DRIVE, RH, RoHS, 2 x .188    | 66  |
| - | 1   | 1   | 1   | 1   | 1   | 1   | 2168083-2   | SCR, SKT HD CAP, RoHS, M4 X 8.0     | 60  |
| - | 1   | 1   | 1   | 1   | 1   | 1   | 5-18022-5   | SCR, HEX HD CAP, M4 X 6.0           | 59  |
| - | 1   | 1   | 1   | 1   | 1   | 1   | 985575-3    | SCR, FLT SKT HD CAP M3 X 10.0       | 57  |
| - | 1   | 1   | 1   | 1   | 1   | 1   | 1338685-1   | PAWL, FEED                          | 56  |
| - | 4   | 4   | 4   | 4   | 4   | 4   | 2168083-3   | SCR, SKT HD CAP, RoHS, M4 X 12.0    | 54  |
| - | 2   | 2   | 2   | 2   | 2   | 2   | 2168083-3   | SCR, SKT HD CAP, RoHS, M4 X 12.0    | 53  |
| - | 1   | 1   | 1   | 1   | 1   | 1   | 1803382-6   | HOLD DOWN, SPRING LOADED            | 50  |
| - | 1   | 2   | 1   | 2   | 1   | 2   | 18023-9     | SCR, SKT HD CAP M4 X 6.0            | 49  |
| - | -   | 1   | -   | 1   | -   | 1   | 2119652-1   | FEED CAM, PRE FEED                  | 48  |
| - | -   | 1   | -   | 1   | -   | 1   | 2119653-1   | FEED CAM, POST FEED                 | 47  |
| - | 1   | 1   | -   | -   | 1   | 1   | 1803583-9   | APPLICATOR BASIC ASSEMBLY, SF       | 46  |
| - | 1   | 1   | -   | -   | 1   | 1   | 1803515-1   | RAM ASSEMBLY, SF ATLANTIC           | 44  |
| - | 1   | 1   | 1   | 1   | 1   | 1   | 1803602-1   | SCR, BHSC, RoHS (M8 X 25)           | 41  |
| - | 1   | 1   | 1   | 1   | 1   | 1   | 1752356-4   | SUPPORT, TERMINAL                   | 34  |
| - | 2   | 2   | 2   | 2   | 2   | 2   | 2079383-5   | SCR, BHSC, RoHS (M4 X 20)           | 33  |
| - | 2   | 2   | 2   | 2   | 2   | 2   | 3-2844962-0 | SPACER, CYLINDRICAL, STRIP GUIDE    | 30  |
| - | 1   | 1   | 1   | 1   | 1   | 1   | 2844992-2   | ASSEMBLY, STRIP GUIDE               | 29  |
| - | 1   | 1   | 1   | 1   | 1   | 1   | 455888-3    | SPACER, CRIMPER                     | 28  |
| - | 1   | 1   | 1   | 1   | 1   | 1   | 1320928-6   | STRIP GUIDE                         | 24  |
| - | 1   | 1   | -   | -   | 1   | 1   | 2168083-2   | SCR, SKT HD CAP, RoHS, M4 X 8.0     | 21  |
| - | 2   | 2   | 1   | 1   | 2   | 2   | 1-18028-2   | WASHER, FLAT, REG M4                | 20  |
| - | 1   | 1   | -   | -   | 1   | 1   | 2119533-1   | STRIPPER, SIDE FEED                 | 19  |
| - | 1   | 1   | 1   | 1   | 1   | 1   | 2119806-1   | INSERT, SHEAR                       | 13  |
| - | 1   | 1   | 1   | 1   | 1   | 1   | 3-22280-3   | SPRING, COMPRESSION                 | 12  |
| - | 1   | 1   | 1   | 1   | 1   | 1   | 1-356885-5  | STOP, SHEAR                         | 11  |
| - | 1   | 1   | 1   | 1   | 1   | 1   | 2119805-1   | SHEAR HOLDER, FRONT                 | 10  |
| - | 1   | 1   | 1   | 1   | 1   | 1   | 318707-1    | FLOATING SHEAR, FRONT               | 9   |
| - | 1   | 2   | 2   | 1   | 1   | 1   | 1-1633920-9 | ANVIL, COMBINATION                  | 8   |
| - | 1   | 1   | 1   | 1   | 1   | 1   | 6-240641-7  | SPACER                              | 7   |
| - | -   | -   | -   | -   | -   | -   | -           | -                                   | 6   |
| - | 1   | 1   | 1   | 1   | 1   | 1   | 2119781-1   | DEPRESSOR, SHEAR                    | 5   |
| - | 1   | 1   | 1   | 1   | 1   | 1   | 238011-4    | BLOCK, CRIMPER SPACER               | 4   |
| - | 1   | 2   | 2   | 1   | 1   | 1   | 4-1633965-3 | CRIMPER, INSULATION O PREMIUM       | 3   |
| - | 1   | 1   | 1   | 1   | 1   | 1   | 455888-6    | SPACER, CRIMPER                     | 2   |
| - | 1   | 2   | 2   | 1   | 1   | 1   | 2-456405-8  | CRIMPER, WIRE PREMIUM               | 1   |

| DIMENSIONS: |         | TOLERANCES UNLESS OTHERWISE SPECIFIED: |          | OWN                                    | CHK       | APVD      | NAME                       |
|-------------|---------|--|----------|--|-----------|-----------|----------------------------|
| mm          | 0 PLC ± | 1 PLC ±                                | 2 PLC ±  | Y. YIN                                 | G. BAILEY | U. GUO    | Ocean Side Feed Applicator |
|             | 3 PLC ± | 4 PLC ±                                | ANGLES ± | 11SEP2013                              | 11SEP2013 | 11SEP2013 |                            |
| MATERIAL    | FINISH  | WEIGHT                                 | SCALE    | Customer Accessible Production Drawing |           | SCALE     | SHEET 1 OF 4               |

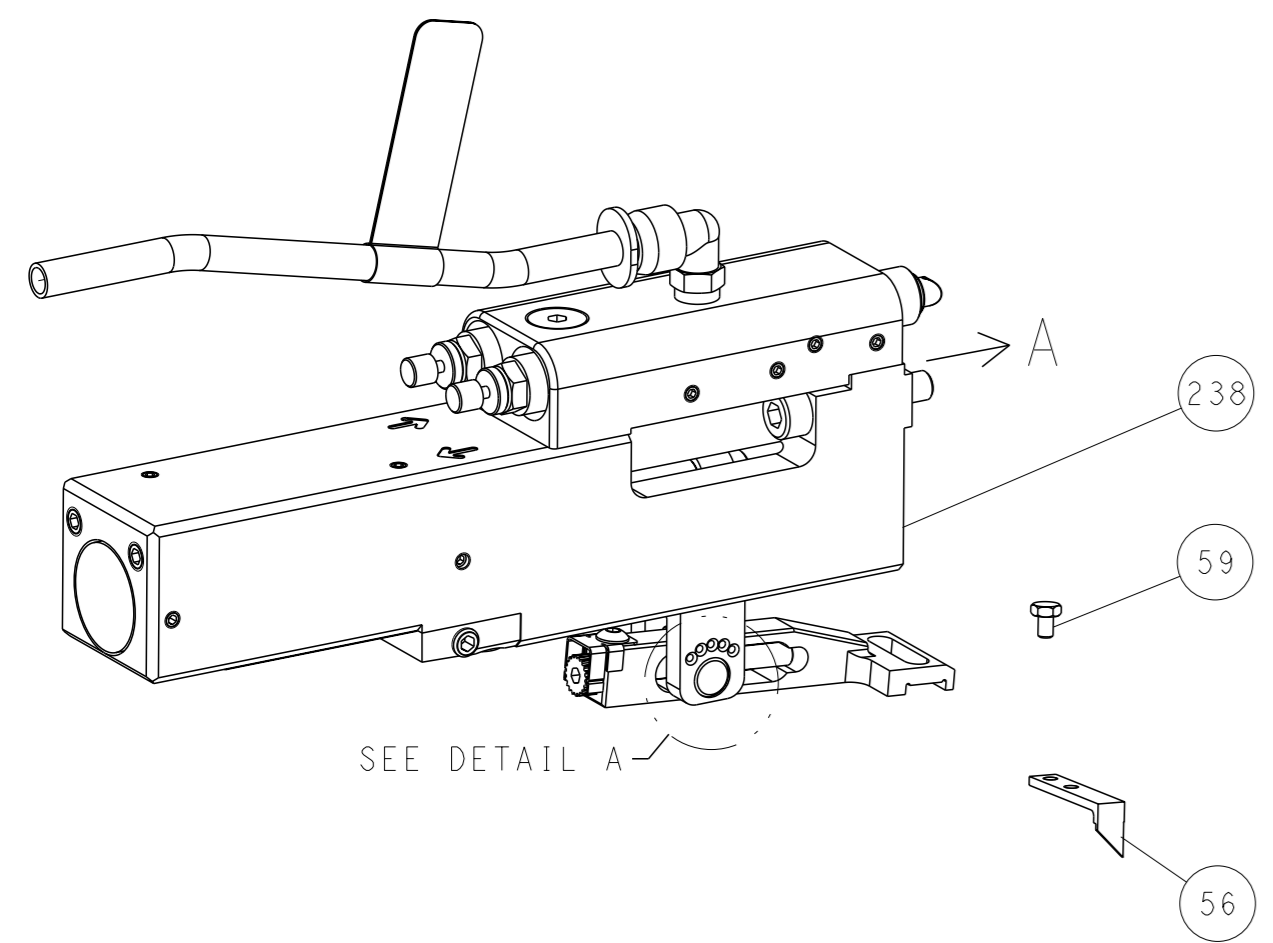
ATLANTIC VERSION  
 Shown on sheets 1 of 4 & 2 of 4  
 (Pacific version shown on sheets 3 of 4 & 4 of 4)

| LOC | DIST | REVISIONS   |      |     |      |
|-----|------|-------------|------|-----|------|
| A   | 66   | REV         | DATE | OWN | APVD |
| -   | -    | SEE SHEET 1 | -    | -   | -    |

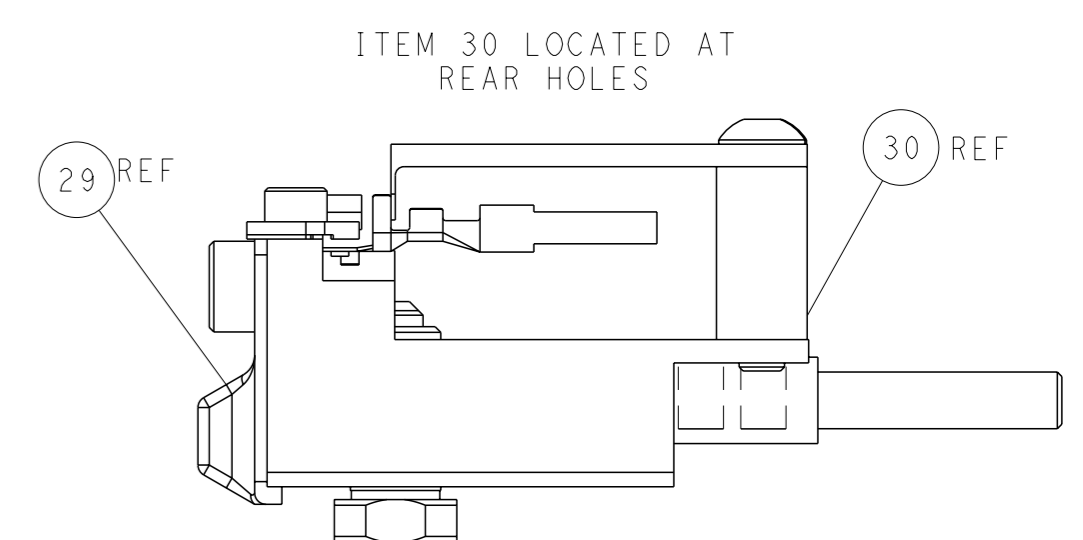
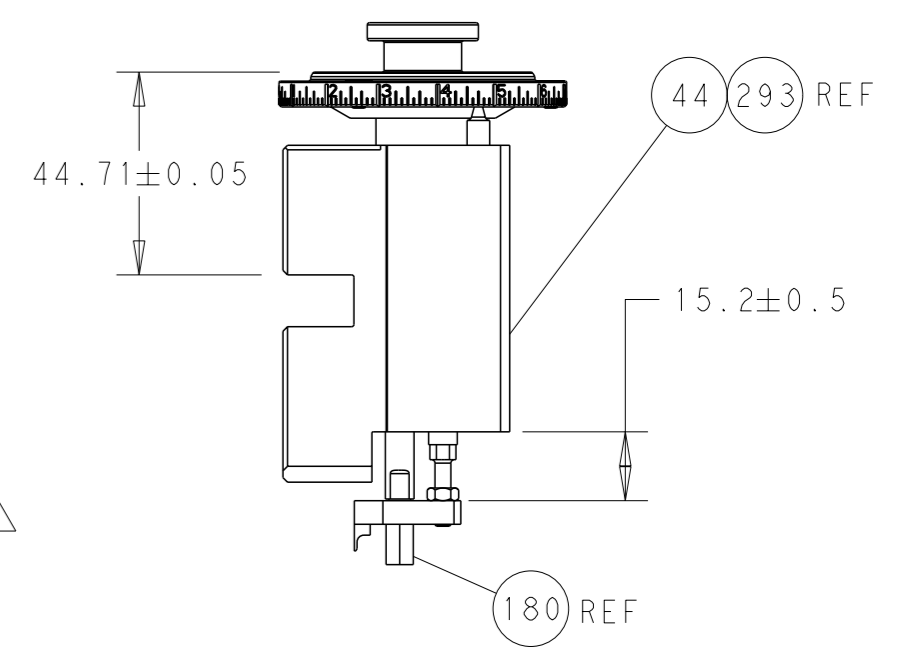
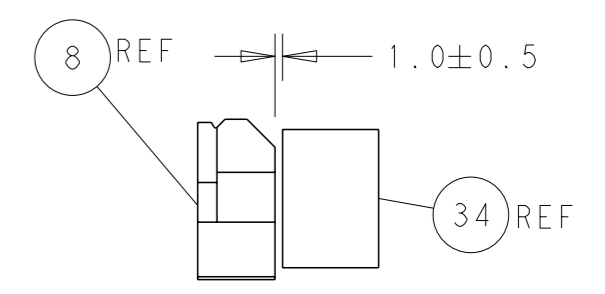
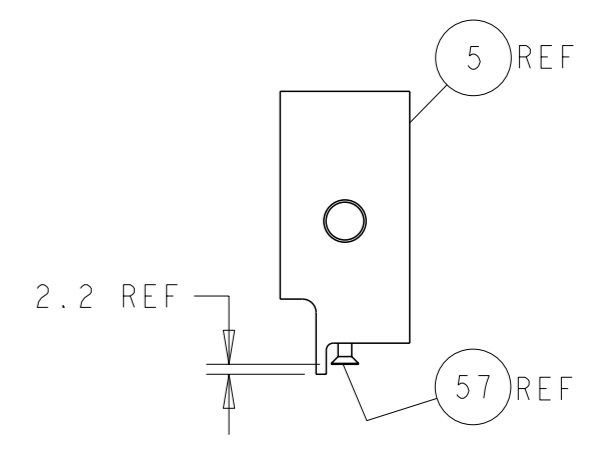
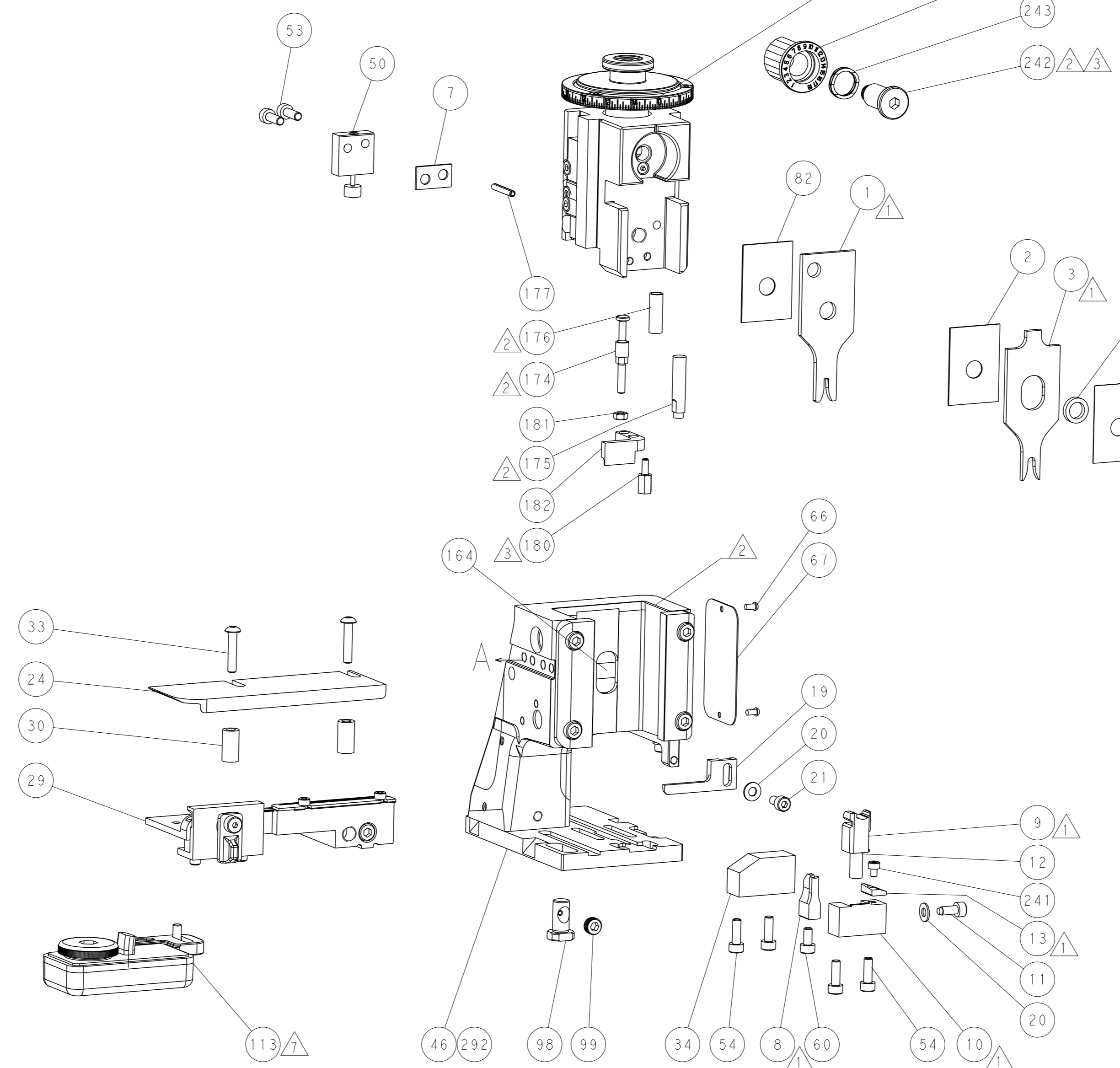
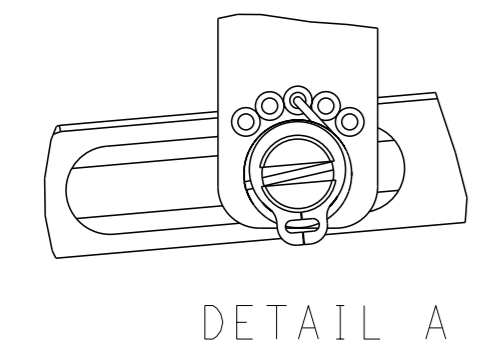
# FEED TYPE MECHANICAL



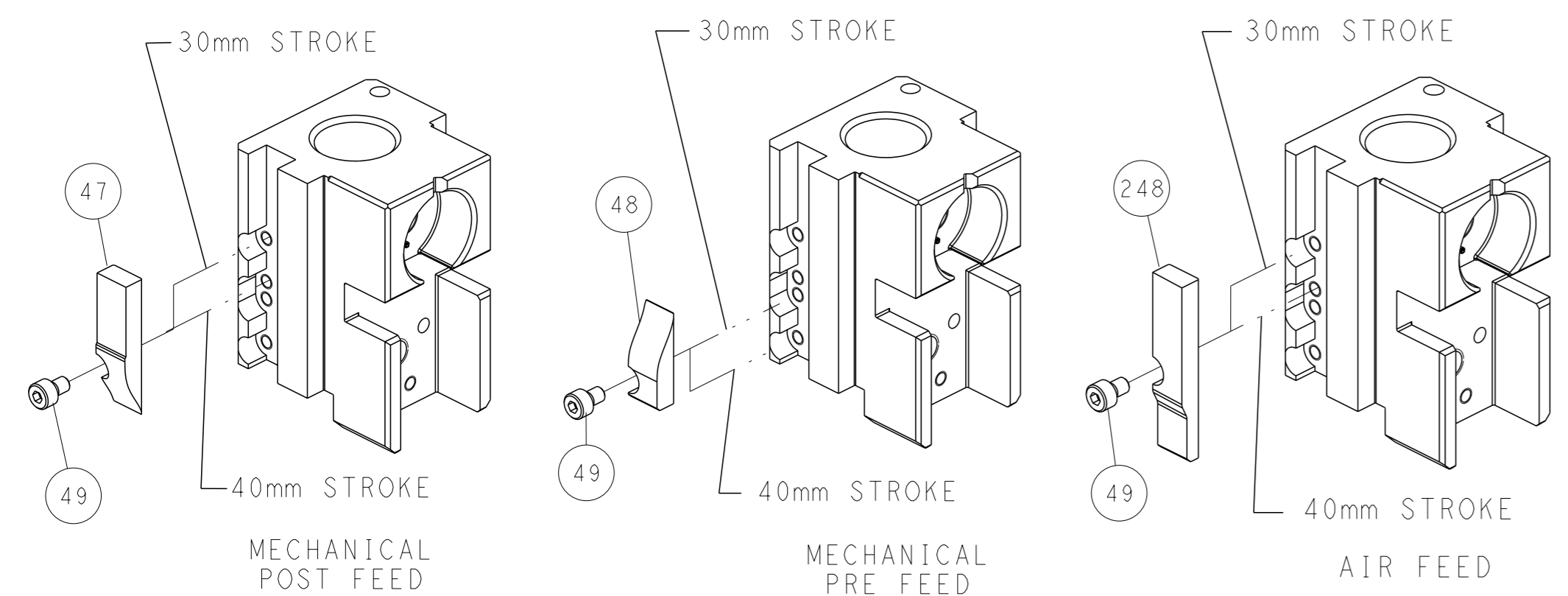
## PNEUMATIC



## FEED SPRING SETTING POSITION (SHOWN FROM REAR SIDE)



# CAM POSITIONS

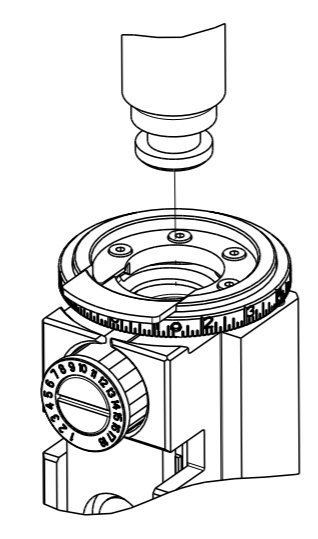


**ATLANTIC VERSION**  
 Shown on sheets 1 of 4 & 2 of 4  
 (Pacific version shown on sheets 3 of 4 & 4 of 4)

|   |  |  |  |  |
|---|--|--|--|--|
| DIMENSIONS: mm<br>TOLERANCES UNLESS OTHERWISE SPECIFIED:<br>0 PLC ±<br>1 PLC ±<br>2 PLC ±<br>3 PLC ±<br>4 PLC ±<br>ANGLES ± |  | OWN: Y. YIN 11SEP2013<br>CHK: G. BAILEY 11SEP2013<br>APVD: J. GUO 11SEP2013<br>PRODUCT SPEC<br>APPLICATION SPEC<br>WEIGHT: -<br>SCALE: 1:2 | NAME: Ocean Side Feed Applicator<br>SIZE: A1<br>CAGE CODE: 00779<br>DRAWING NO: 2266027<br>SHEET 2 OF 4<br>REV D | TE Connectivity<br>Harrisburg, PA 17105-3608 |
|---|--|--|--|--|

| PART NUMBER | REVISION | DESCRIPTION              | FEED TYPE  |
|-------------|----------|--------------------------|------------|
| 2-2266027-1 | D        | FINE CRIMP HEIGHT ADJUST | MECHANICAL |
| 2-2266027-2 | D        | FINE CRIMP HEIGHT ADJUST | PNEUMATIC  |
| 7-2266027-7 | A        | CRIMP TOOLING KIT        | -          |

PACIFIC VERSION TERMINATOR  
INTERFACE ADAPTER



| APPLICATOR DATA                   |                |      |
|-----------------------------------|----------------|------|
| CRIMP                             | SIZE           | TYPE |
| WIRE                              | 2.03 mm [.080] | F    |
| INSUL                             | 3.81 mm [.150] | O    |
| APPLICATOR INSTRUCTIONS 408-35042 |                |      |

TERMINAL DATA: APTIV/DELPHI TERMINAL FCI/DELPHI CRIMP SPECIFICATION

|  |  |
|--|--|
| TERMINAL NAME: CONTACT DCS 2-2.8                             |  |
| WIRE STRIP LENGTH<br>3.90-4.70 mm [.154-.185 IN]             | TERMINAL INSULATION DIAMETER RANGE<br>Ø1.40-2.10 mm [.055-.083 IN] |
| TERMINAL APPLICATION SPECIFICATION 90841100, PG 1 OF 4 Rev K |  |

TERMINALS APPLIED

| TE TERMINAL | APTIV/DELPHI TERMINAL | TE SEAL   | APTIV/DELPHI SEAL | SEAL INSULATION DIAMETER RANGE |
|-------------|-----------------------|-----------|-------------------|--------------------------------|
| 2113373-1   | 60012931              | 2113175-1 | 60994023          | 2.05-3.0                       |
| 2113373-2   | 60014031              | 2113590-1 | 60994015          | 1.4-2.1                        |
| 2113373-3   | 60014032              | 2113590-2 | 10779162          | 1.2-2.1                        |
| 2113373-4   | 60012131              | 828904-1  |                   |                                |
| 2113373-5   | 60012134              |           |                   |                                |
| 2113373-6   | 60012934              |           |                   |                                |
| 2113373-7   | 60014234              |           |                   |                                |
| 2113373-8   | F028600               |           |                   |                                |

| WIRE SIZE         | CRIMP HEIGHT mm [INCH]         | CRIMP HEIGHT REFERENCE SETTING |
|-------------------|--------------------------------|--------------------------------|
| 1.00mm2           | 1.25 +/- 0.04 [1.049 +/- .002] | 5.8                            |
| 18 AWG OR 0.75mm2 | 1.20 +/- 0.04 [1.047 +/- .002] | 6.5                            |
| 20 AWG OR 0.50mm2 | 1.17 +/- 0.04 [1.046 +/- .002] | 6.8                            |

TERMINAL DATA: APTIV/DELPHI TERMINAL FCI/DELPHI CRIMP SPECIFICATION

|  |   |
|--|---|
| TERMINAL NAME: TERMINAL                                      |   |
| WIRE STRIP LENGTH<br>3.90-4.70 mm [.154-.185 IN]             | INSULATION DIAMETER RANGE<br>Ø1.40-2.10 mm [.055-.083 IN] |
| TERMINAL APPLICATION SPECIFICATION 90841100, PG 1 OF 4 Rev K |   |

TERMINALS APPLIED

| TE TERMINAL | APTIV/DELPHI TERMINAL | TE SEAL   | APTIV/DELPHI SEAL | SEAL INSULATION DIAMETER RANGE |
|-------------|-----------------------|-----------|-------------------|--------------------------------|
| 2113174-1   | 60110731              | 2113175-1 | 60994023          | Ø2.05-3.0mm                    |
| 2113174-2   | 60110734              | 2113590-1 | 60994015          | Ø1.4-2.1mm                     |
| 2113174-3   | 60110732              | 2113590-2 | 10779162          | Ø1.2-2.1mm                     |
| 2113174-4   | 33505427              | 828904-1  |                   |                                |
| 2113174-5   | 10756352              |           |                   |                                |
| 2113174-6   | 33500682              |           |                   |                                |
| 2113174-7   | 60110531              |           |                   |                                |
| 2113174-8   | 60110534              |           |                   |                                |

**\*WARNING**  
ON INSTALLATION, SET WIRE DISC TO CRIMP HEIGHT REFERENCE SETTING FOR LARGEST WIRE SIZE. CRIMP HEIGHT REFERENCE SETTINGS GREATER THAN THE VALUE SHOWN MAY CAUSE DAMAGE TO THE CRIMP TOOLING. REFER TO THE INSTRUCTION SHEET FOR PROPER SETUP AND ADJUSTMENTS.

- RECOMMENDED SPARE PARTS
- REFER TO SUPPLIED INSTRUCTION SHEET FOR CLEANING, LUBRICATION AND STORAGE OF APPLICATOR.
- APPLY PART NUMBER 2-23419-6 LOCTITE TO THREADS OF ITEM 242.
- CRIMP HEIGHT REFERENCE SETTING WAS THE SETTING USED WHEN THE APPLICATOR WAS QUALIFIED AT THE FACTORY. ADJUSTMENT MAY BE NECESSARY WHEN RUNNING APPLICATOR IN THE FIELD.
- APPLY TORO-SEAL IN ALLEN SOCKET TO FILL HOLE AFTER FLAT HD HAS BEEN ADJUSTED TO CORRECT HEIGHT AT QUALIFICATION. APPLY #1-23419-5 LOC-TITE TO THREADS.
- UNLESS SPECIFIED OTHERWISE TORQUE VALUES SHALL BE USED PER DOCUMENT, 101-35000.
- TERMINAL LUBRICANT IS RECOMMENDED.

| LOC | DIST | REV | DATE | OWN | APVD |
|-----|------|-----|------|-----|------|
| A   | 66   |     |      |     |      |

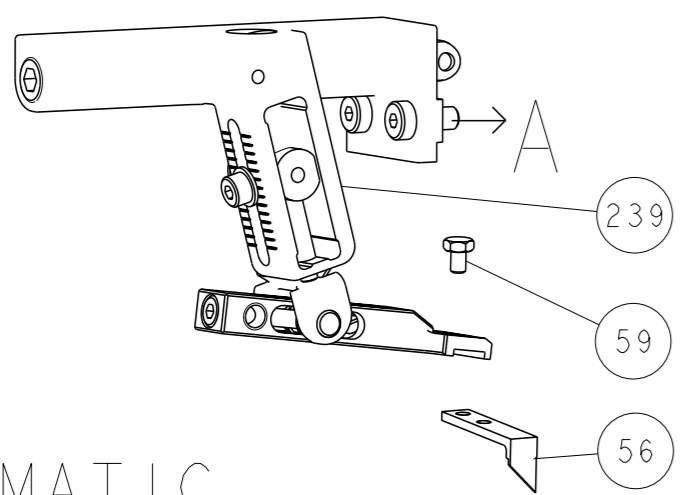
| REV | DATE | DESCRIPTION | ITEM NO     |                                     |     |
|-----|------|-------------|-------------|-------------------------------------|-----|
| -   | 1    | 1           | 2119082-7   | CAM, SNAIL, INSULATION ADJUSTMENT   | 244 |
| -   | 1    | 1           | 2079764-1   | WASHER, WAVE SPRING, CREST-TO-CREST | 243 |
| -   | 1    | 1           | 2119083-1   | RETAINER, INSULATION DIAL           | 242 |
| -   | 1    | 1           | 7-18023-7   | SCR, SKT HD CAP M3 X 4.0            | 241 |
| -   | -    | 1           | 2119580-1   | MECHANICAL FEED ASSEMBLY            | 239 |
| -   | 1    | -           | 2844940-1   | AIR FEED MODULE                     | 238 |
| -   | REF  | REF         | 994970-2    | COUNTER, MAGNETIC                   | 164 |
| -   | 1    | -           | 2119641-2   | FEED CAM, AIR FEED                  | 151 |
| -   | 1    | 1           | 2168083-8   | SCR, SKT HD CAP, RoHS, M4 X 16      | 144 |
| -   | 4    | 4           | 2168083-9   | SCR, SKT HD CAP, RoHS, M4 X 20      | 143 |
| -   | -    | 1           | 2119653-2   | FEED CAM, POST FEED                 | 142 |
| -   | 1    | 1           | 1-1803583-0 | APPLICATOR BASIC ASSEMBLY, SF       | 141 |
| -   | 1    | 1           | 1803516-1   | RAM ASSEMBLY, SF PACIFIC            | 140 |
| -   | 1    | 1           | 2119955-1   | ASSY, LUBRICATOR, SIDE FEED         | 113 |
| -   | 1    | 1           | 2844908-1   | SCREW, LOCKING                      | 99  |
| -   | 1    | 1           | 2844907-1   | POST, LOCKING                       | 98  |
| -   | 1    | 1           | 455888-6    | SPACER, CRIMPER                     | 82  |
| -   | 1    | 1           | 1803607-3   | DOCUMENTATION PACKAGE               | 71  |
| -   | 1    | 1           | 2119740-1   | TAG, IDENTIFICATION                 | 67  |
| -   | 2    | 2           | 2168078-1   | SCREW, DRIVE, RH, RoHS, 2 x .188    | 66  |
| -   | 1    | 1           | 5-18022-5   | SCR, HEX HD CAP, M4 X 6.0           | 59  |
| -   | 1    | 1           | 985575-3    | SCR, FLT SKT HD CAP M3 X 10.0       | 57  |
| -   | 1    | 1           | 1338685-1   | PAWL, FEED                          | 56  |
| -   | 2    | 2           | 2168083-3   | SCR, SKT HD CAP, RoHS, M4 X 12.0    | 53  |
| -   | 1    | 1           | 1803382-6   | HOLD DOWN, SPRING LOADED            | 50  |
| -   | 1    | 2           | 18023-9     | SCR, SKT HD CAP M4 X 6.0            | 49  |
| -   | -    | 1           | 2119652-1   | FEED CAM, PRE FEED                  | 48  |
| -   | 1    | 1           | 1803602-1   | SCR, BHSC, RoHS (M8 X 25)           | 41  |
| -   | 1    | 1           | 1752356-4   | SUPPORT, TERMINAL                   | 34  |
| -   | 2    | 2           | 2079383-5   | SCR, BHSC, RoHS (M4 X 20)           | 33  |
| -   | 2    | 2           | 3-2844962-0 | SPACER, CYLINDRICAL, STRIP GUIDE    | 30  |
| -   | 1    | 1           | 2844992-2   | ASSEMBLY, STRIP GUIDE               | 29  |
| -   | 1    | 1           | 455888-3    | SPACER, CRIMPER                     | 28  |
| -   | 1    | 1           | 1320928-6   | STRIP GUIDE                         | 24  |
| -   | 1    | 1           | 2168083-2   | SCR, SKT HD CAP, RoHS, M4 X 8.0     | 21  |
| -   | 2    | 2           | 1-18028-2   | WASHER, FLAT, REG M4                | 20  |
| -   | 1    | 1           | 2119533-1   | STRIPPER, SIDE FEED                 | 19  |
| -   | 1    | 1           | 2119806-1   | INSERT, SHEAR                       | 13  |
| -   | 1    | 1           | 3-22280-3   | SPRING, COMPRESSION                 | 12  |
| -   | 1    | 1           | 1-356885-5  | STOP, SHEAR                         | 11  |
| -   | 1    | 1           | 2119805-1   | SHEAR HOLDER, FRONT                 | 10  |
| -   | 1    | 1           | 318707-1    | FLOATING SHEAR, FRONT               | 9   |
| -   | 1    | 1           | 1-1633920-9 | ANVIL, COMBINATION                  | 8   |
| -   | 1    | 1           | 6-240641-7  | SPACER                              | 7   |
| -   | -    | -           | -           | -                                   | 6   |
| -   | 1    | 1           | 2119781-1   | DEPRESSOR, SHEAR                    | 5   |
| -   | 1    | 1           | 238011-4    | BLOCK, CRIMPER SPACER               | 4   |
| -   | 1    | 1           | 4-1633965-3 | CRIMPER, INSULATION O PREMIUM       | 3   |
| -   | 1    | 1           | 455888-6    | SPACER, CRIMPER                     | 2   |
| -   | 1    | 1           | 2-456405-8  | CRIMPER, WIRE PREMIUM               | 1   |

PACIFIC VERSION  
Shown on sheets 3 of 4 & 4 of 4  
(Atlantic version shown on sheets 1 of 4 & 2 of 4)

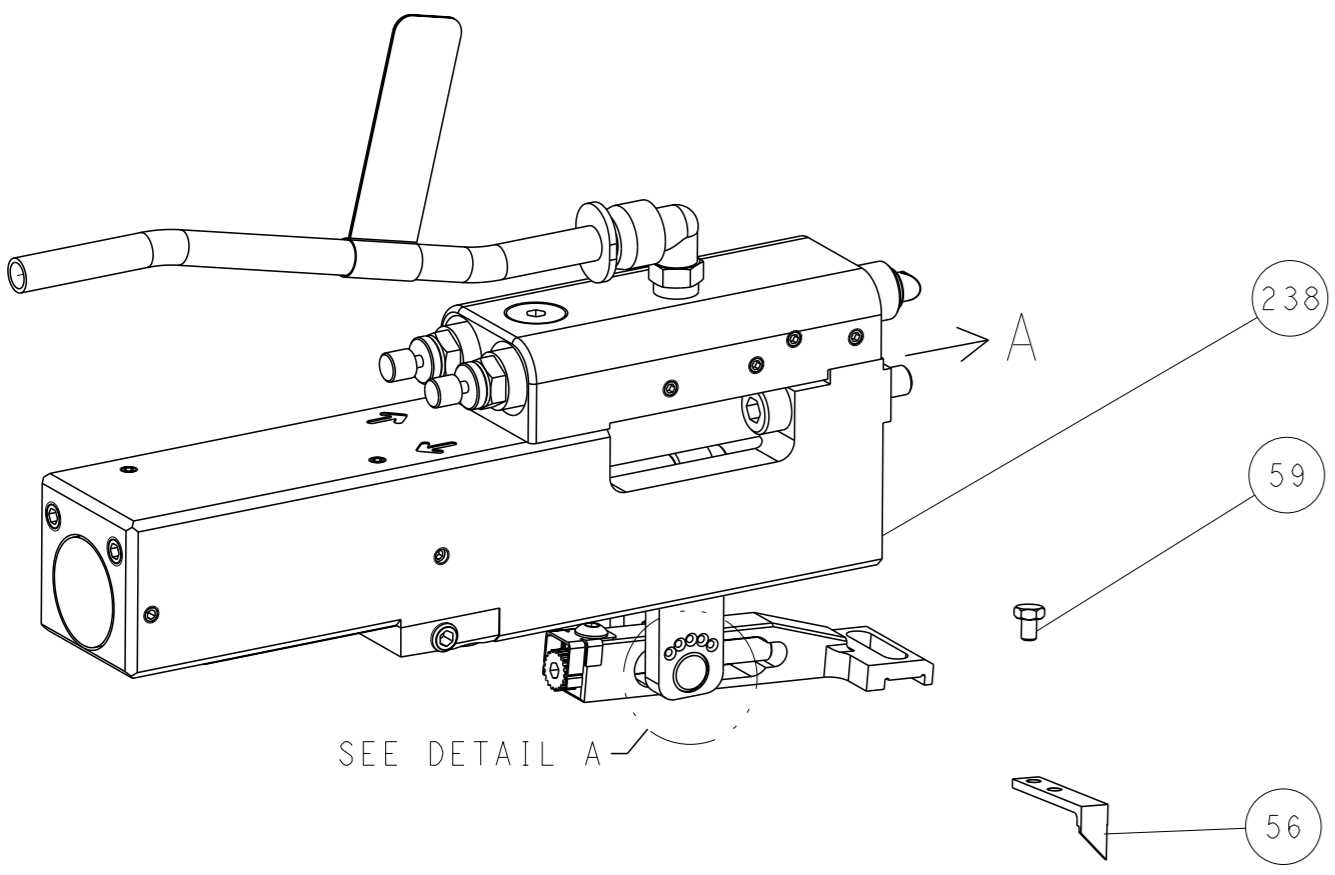
|                |  |  |  |                         |                            |
|----------------|--|--|--|-------------------------|----------------------------|
| DIMENSIONS: mm |  | TOLERANCES UNLESS OTHERWISE SPECIFIED: |  | OWN Y. YIN 11SEP2013    | TE Connectivity            |
| mm             |  | 0 PLC ±                                |  | CHK G. BAILEY 11SEP2013 | Harrisburg, PA 17105-3608  |
| mm             |  | 2 PLC ±                                |  | APVD U. GUO 11SEP2013   |                            |
| mm             |  | 3 PLC ±                                |  | PRODUCT SPEC            |                            |
| mm             |  | 4 PLC ±                                |  | APPLICATION SPEC        |                            |
| mm             |  | ANGLES FINISH                          |  | SIZE A1                 | CAGE CODE DRAWING NO 00779 |
| MATERIAL       |  | WEIGHT                                 |  | SCALE 1:2               | SHEET 3 OF 4               |
|                |  |  |  | RESTRICTED TO           | REV D                      |

| LOC |  | DIST |  | REVISIONS |             |     |      |
|-----|--|------|--|-----------|-------------|-----|------|
| A   |  | 66   |  | REV       | DATE        | OWN | APVD |
| -   |  |      |  | 1         | SEE SHEET 1 | -   | -    |

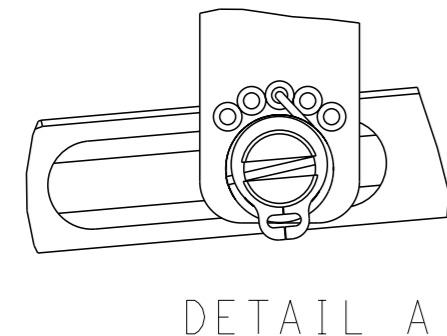
# FEED TYPE MECHANICAL



## PNEUMATIC

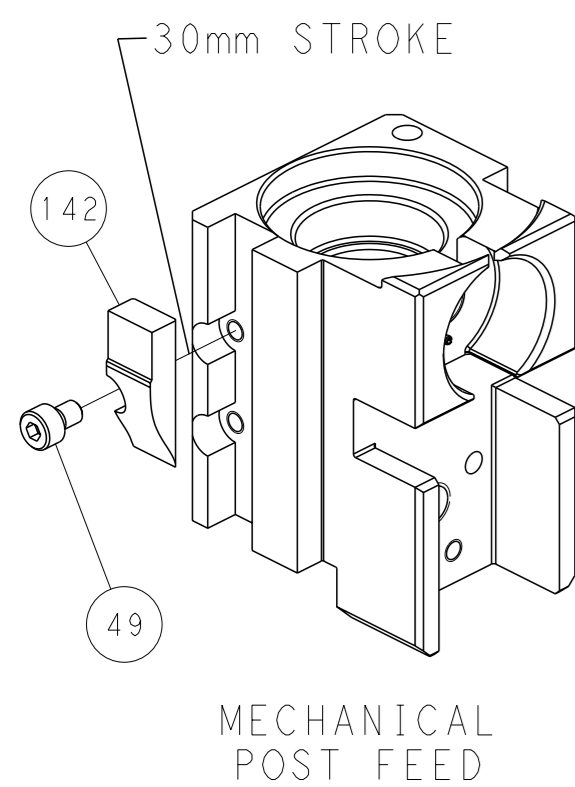


FEED SPRING SETTING POSITION (SHOWN FROM REAR SIDE)

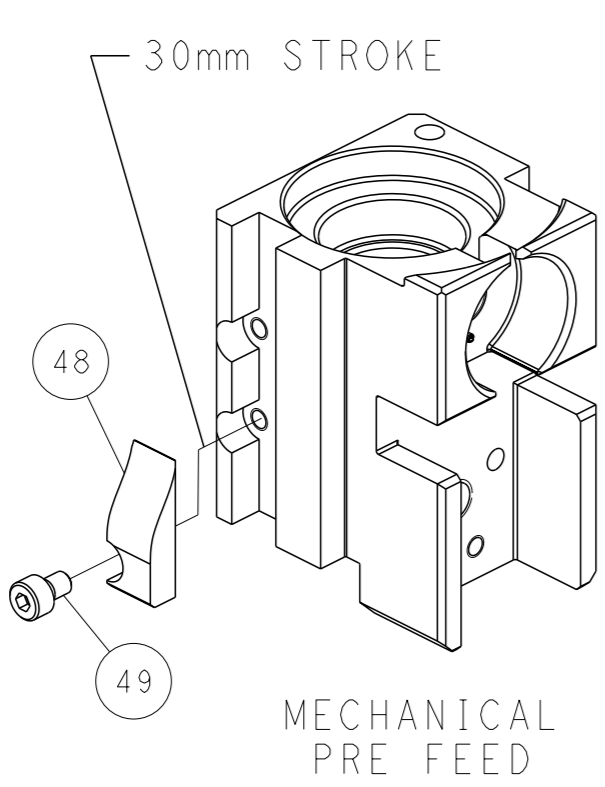


DETAIL A

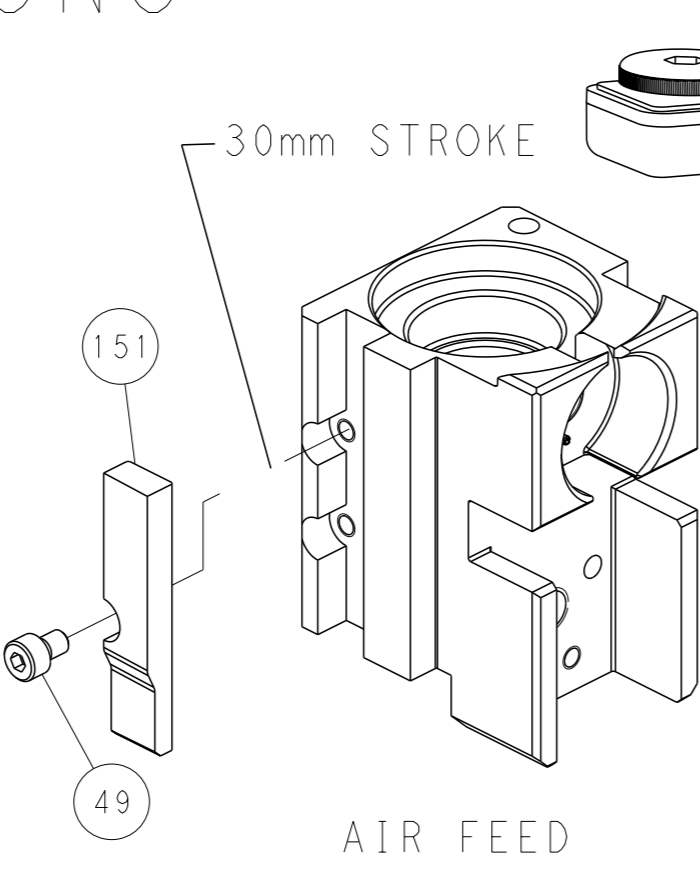
# CAM POSITIONS



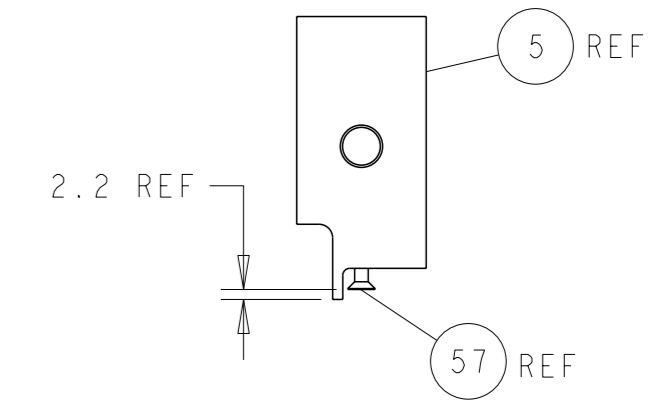
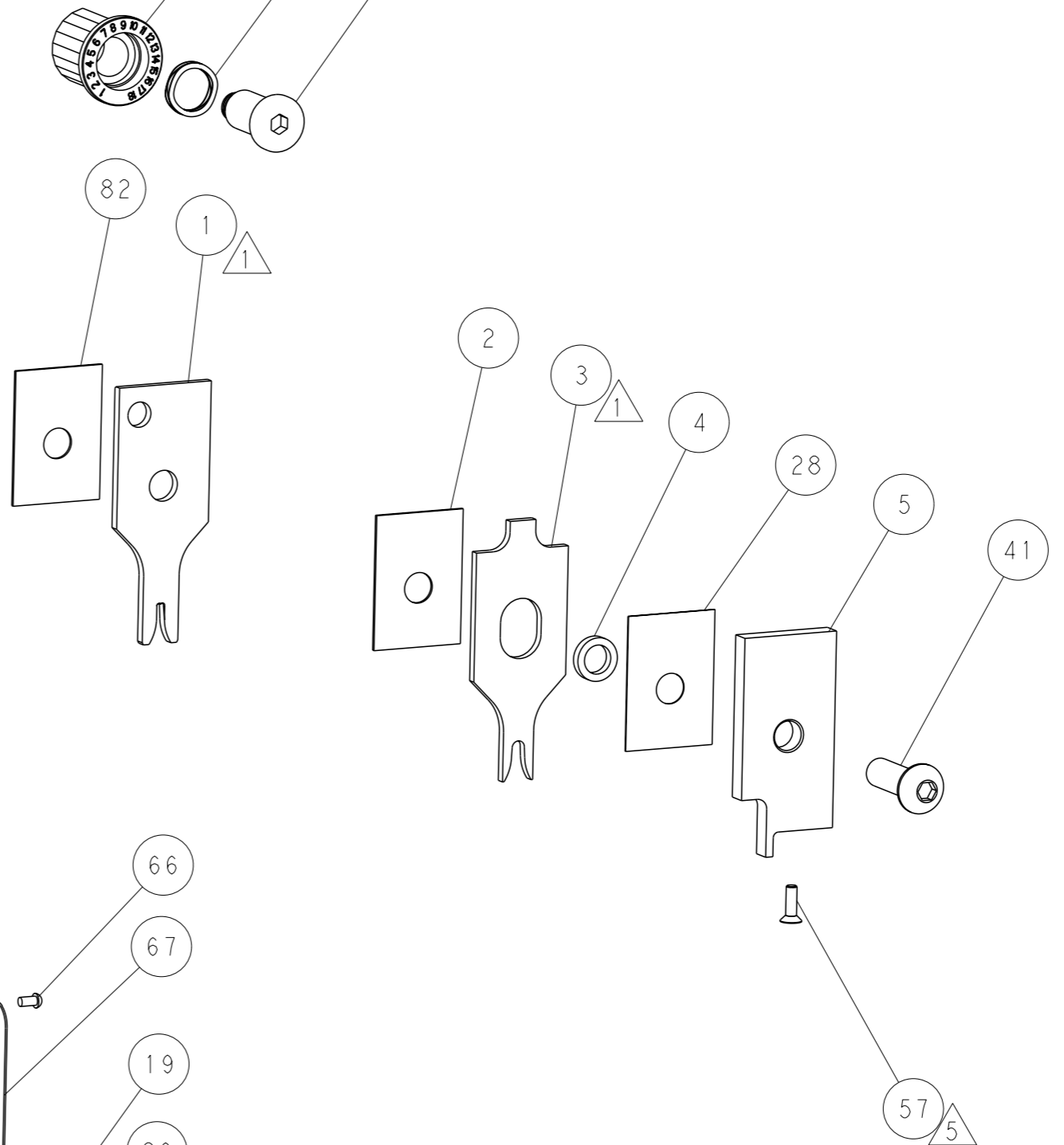
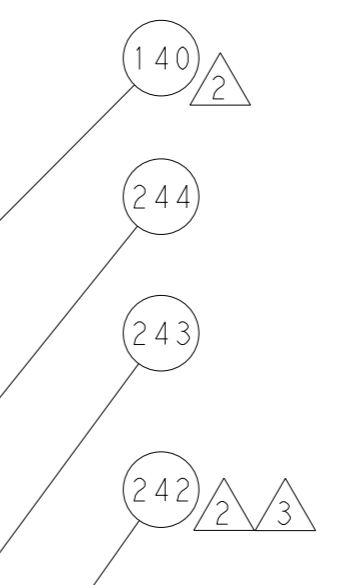
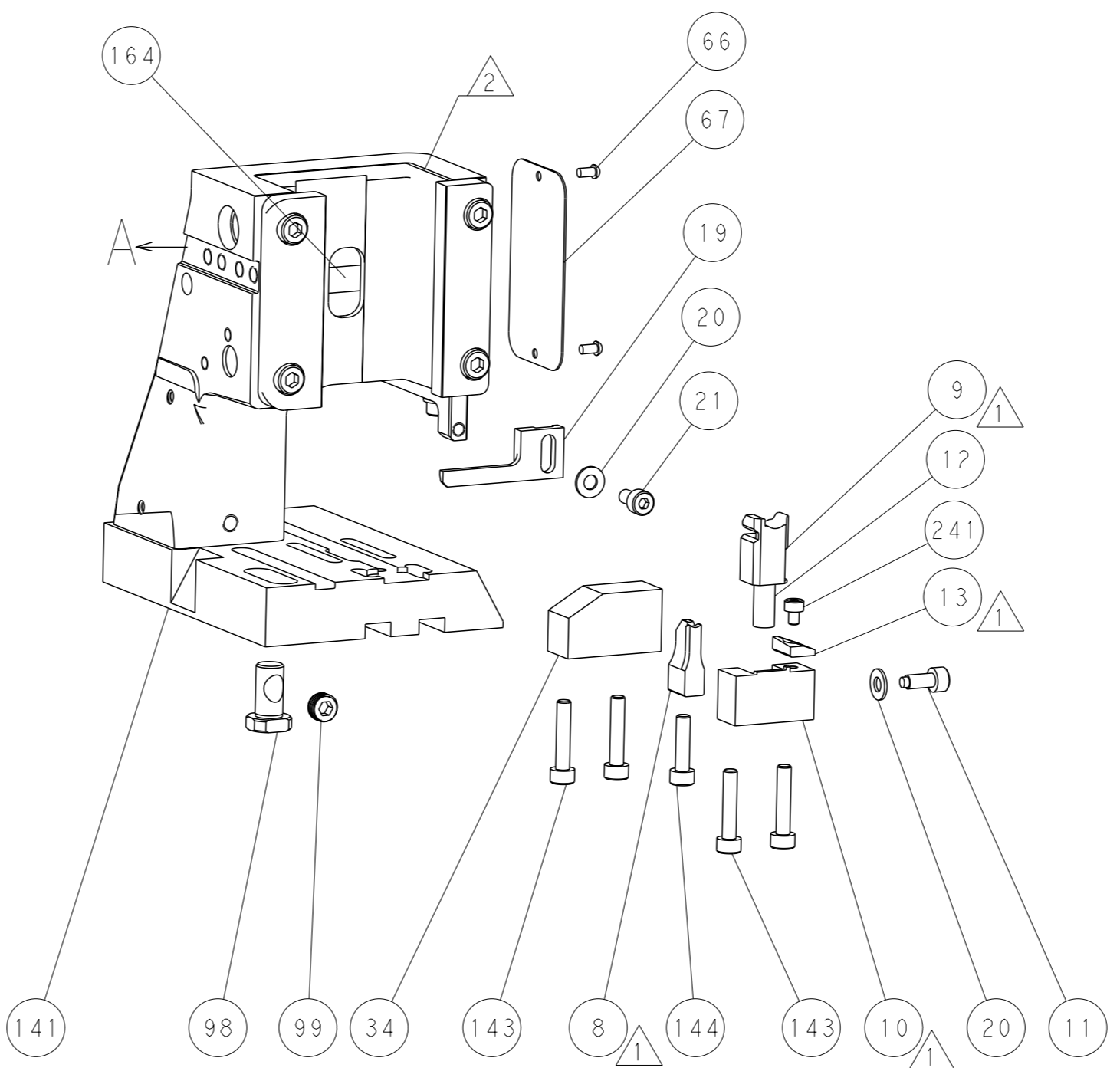
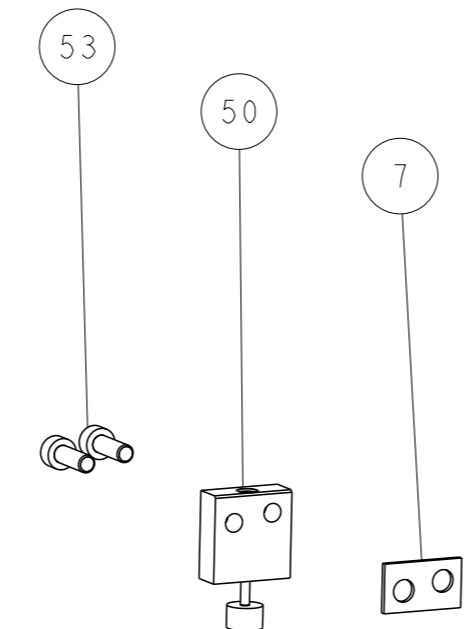
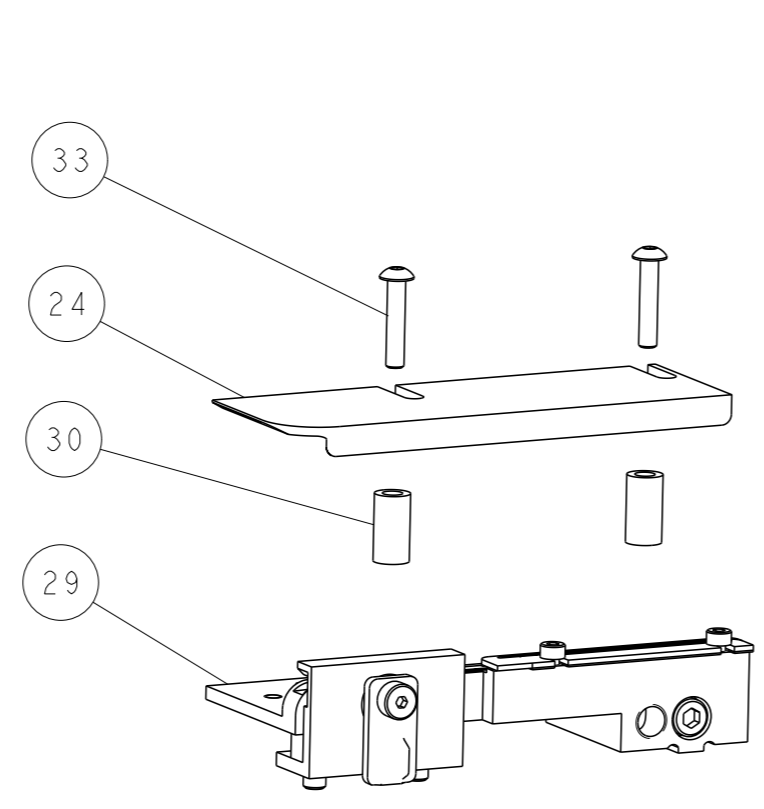
MECHANICAL POST FEED



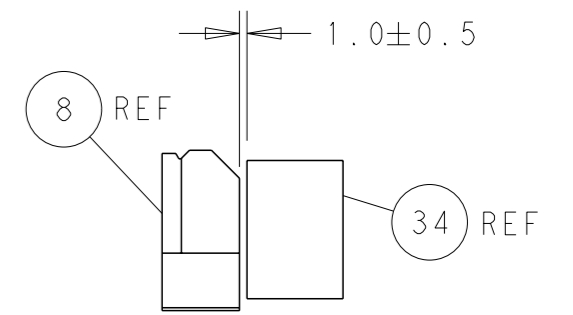
MECHANICAL PRE FEED



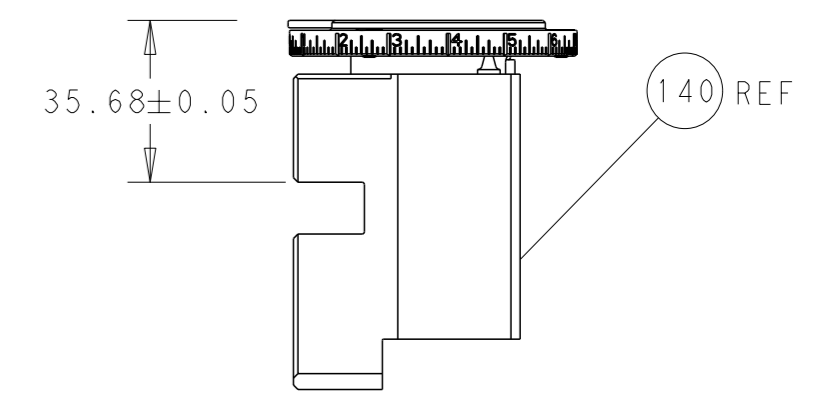
AIR FEED



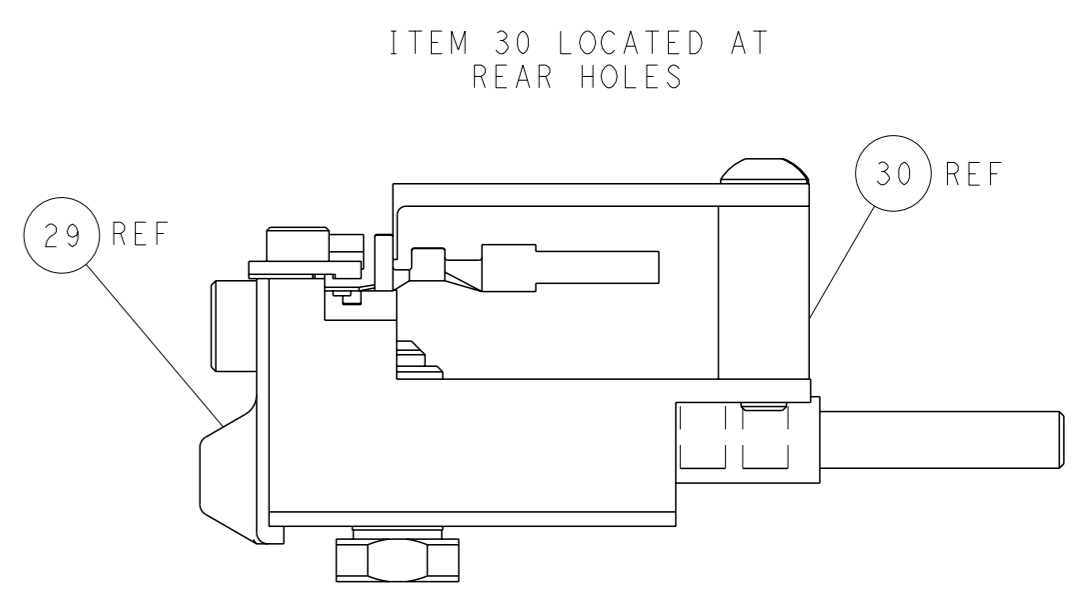
SHEAR DEPRESSOR DETAIL



TERMINAL SUPPORT LOCATION



RAM SET-UP



FEED TRACK POSITION GUIDE BY INSULATION BARREL

**PACIFIC VERSION**  
 Shown on sheets 3 of 4 & 4 of 4  
 (Atlantic version shown on sheets 1 of 4 & 2 of 4)

|  |  |  |  |   |  |   |  |
|--|--|--|--|---|--|---|--|
| DIMENSIONS: mm<br>                     |  | TOLERANCES UNLESS OTHERWISE SPECIFIED:<br>0 PLC ±<br>1 PLC ±<br>2 PLC ±<br>3 PLC ±<br>4 PLC ±<br>ANGLES FINISH ± |  | OWN: Y. YIN 11SEP2013<br>CHK: G. BAILEY 11SEP2013<br>APVD: H. GUO 11SEP2013 |  | TE Connectivity<br>Harrisburg, PA 17105-3608          |  |
| MATERIAL:                              |  | WEIGHT:  |  | NAME: Ocean Side Feed Applicator  |  | SIZE: A1<br>CAGE CODE: 00779<br>DRAWING NO: C=2266027 |  |
| Customer Accessible Production Drawing |  |  |  | SCALE: 1:2  |  | SHEET 4 of 4 REV D                                    |  |