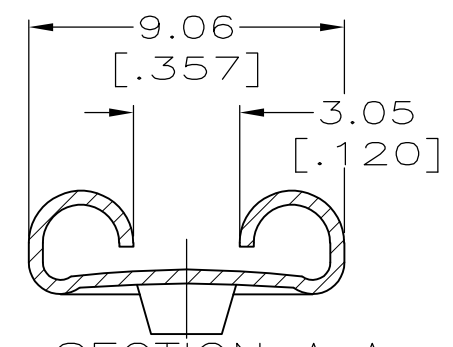
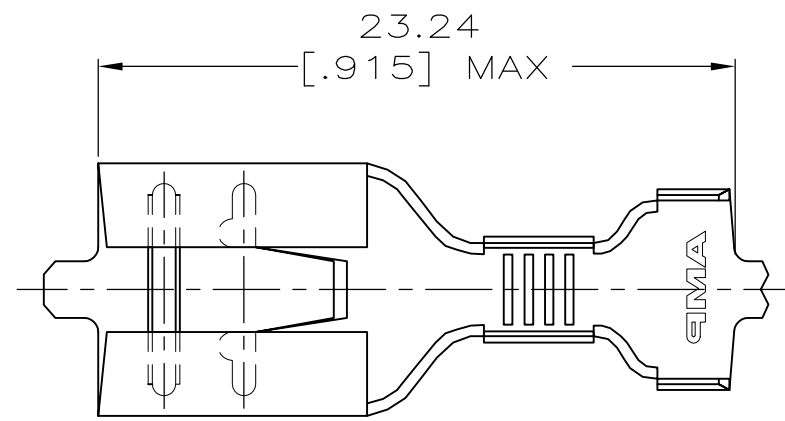
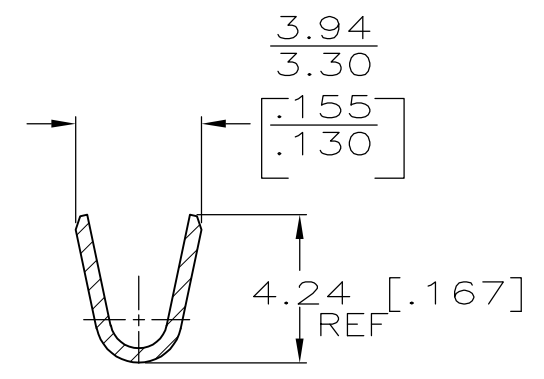
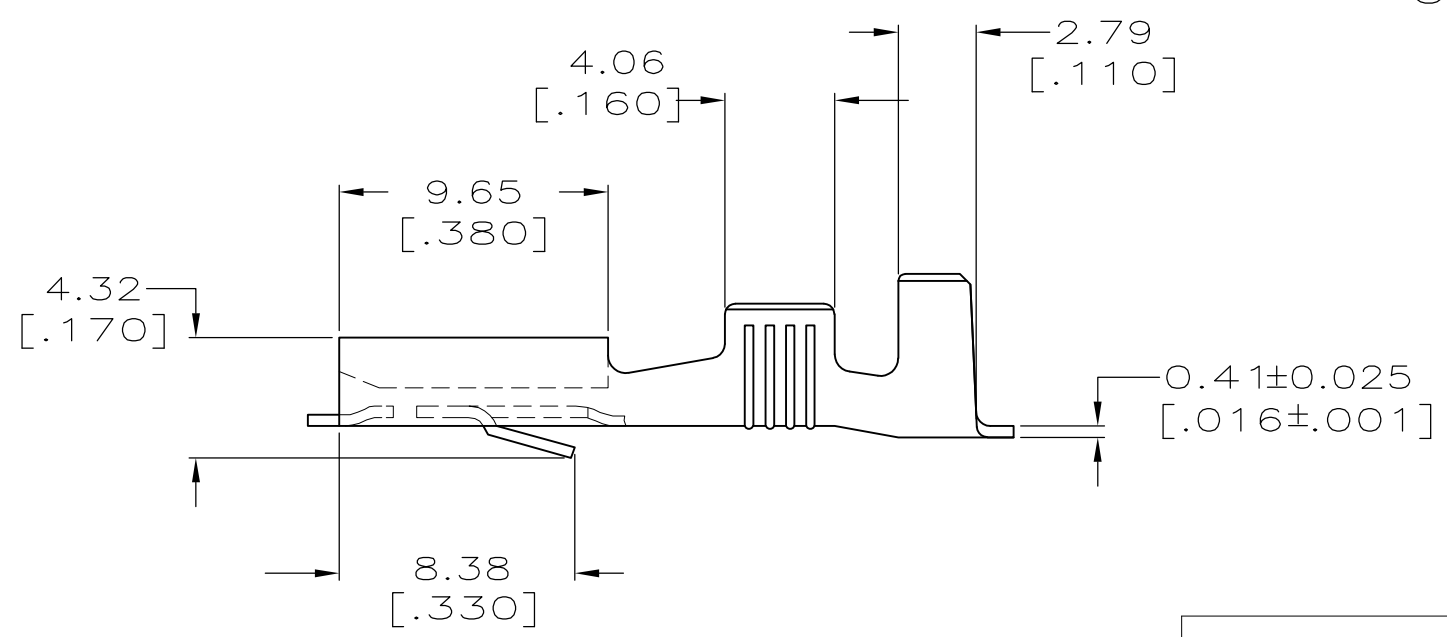


LOC	DIST	REVISIONS					
AF	50	P	LTR	DESCRIPTION	DATE	DWN	APVD
			C	REVISED PER ECR-13-005733	26AUG2013	KH	PD

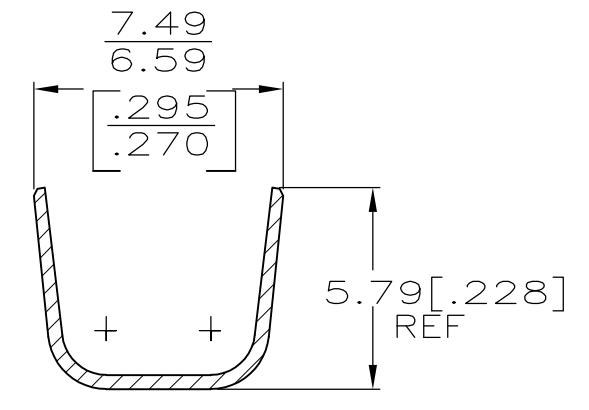


SECTION A-A
SCALE 5:1

1 CONTINUOUS STRIP ON REELS.



SECTION B-B
SCALE 5:1



SECTION C-C
SCALE 5:1

4.06 MAX OR (2) 3.30 DIA [.160 MAX OR (2).130 MAX]	[#16-#12] AWG	0.81 [.032]	63813-1
INSUL RANGE	WIRE SIZE	MATING TAB THK ±0.025 [.001]	PART NO

THIS DRAWING IS A CONTROLLED DOCUMENT.		DWN	JR RUTH	10/17/94													
DIMENSIONS: mm [INCHES]		CHK	MS FEHER	10/17/94													
TOLERANCES UNLESS OTHERWISE SPECIFIED:		APVD	J GILLESPIE	10/17/94													
<table border="0"> <tr><td>0 PLC</td><td>± -</td></tr> <tr><td>1 PLC</td><td>± -</td></tr> <tr><td>2 PLC</td><td>± 0.38 [.015]</td></tr> <tr><td>3 PLC</td><td>± -</td></tr> <tr><td>4 PLC</td><td>± -</td></tr> <tr><td>ANGLES</td><td>± -</td></tr> </table>		0 PLC	± -	1 PLC		± -	2 PLC	± 0.38 [.015]	3 PLC	± -	4 PLC	± -	ANGLES	± -	PRODUCT SPEC	NAME	
0 PLC	± -																
1 PLC	± -																
2 PLC	± 0.38 [.015]																
3 PLC	± -																
4 PLC	± -																
ANGLES	± -																
MATERIAL	BRASS	FINISH	TIN	WEIGHT	-	SIZE	A3	CAGE CODE	00779	DRAWING NO	C-63813	RESTRICTED TO	-				
CUSTOMER DRAWING										SCALE	4:1	SHEET	1 OF 1	REV	C		