

C-438051-1

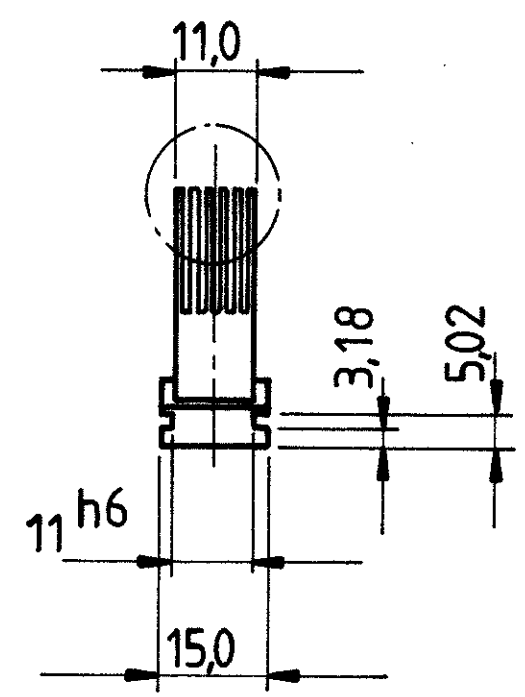
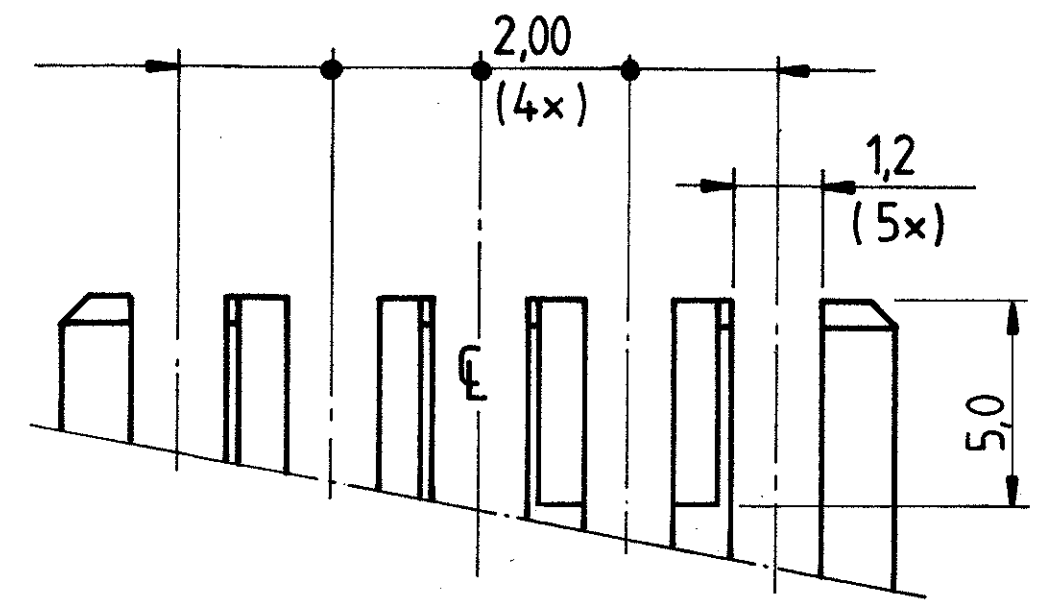
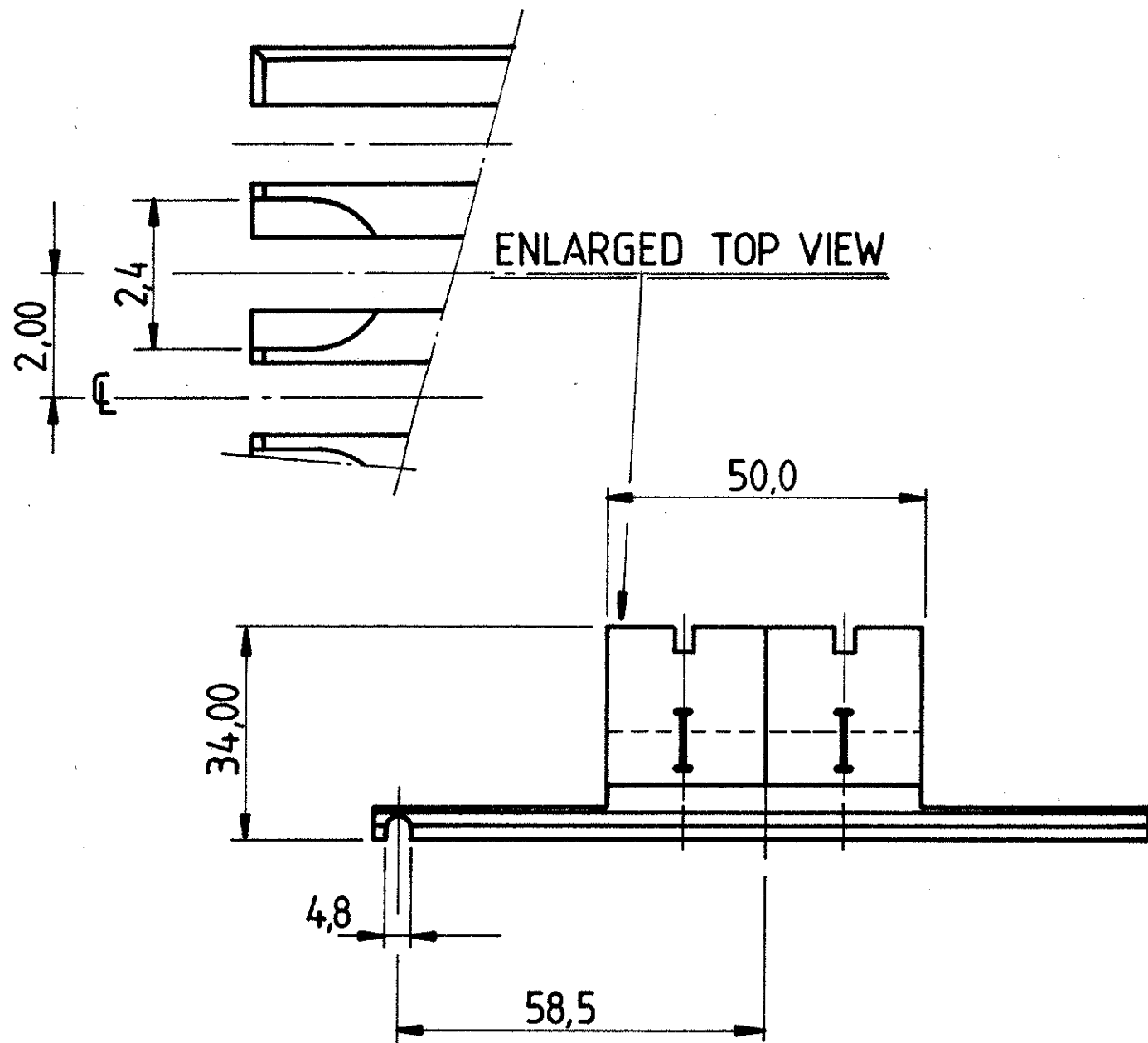
SHOW PART NR & VENDOR IN AREA MARKED X  
(INCLUDE DASH NR & REVISION LTR)

NOT YET RELEASED

USED ON

THIS INFORMATION IS CONFIDENTIAL AND IS DISCLOSED TO YOU ON CONDITION THAT NO FURTHER DISCLOSURE IS MADE BY YOU TO OTHER THAN AMP PERSONNEL WITHOUT WRITTEN AUTHORIZATION FROM AMP-HOLLAND B.V.

DISTR



DWG SIZE				PART NO				DESCRIPTION				ITEM NO	
←				REVISION OF EACH ASSY NO (WHEN BLANK, USE DWG REVISION)									
QTY REQD PER ASSY				PARTS LIST									
TOLERANCES UNLESS OTHERWISE SPECIFIED. REMOVE BURSS. ANGLES ± 0°30'				MATERIAL (W. ST. NR.)				HEAT TREAT		FINISH NICKEL PLATED			
DIMENSIONS IN				DR. C.V. ZOELLEN				First used		AMP   AMP-HOLLAND B.V. 's-Hertogenbosch, The Netherlands			
INCHES				CHK. V.Z. 12/1-96				NAME		P.C.B. SUPPORT - A/B -			
.00 ± .02				.0 ± 0,5				SCALE		SHEET OF		LOC H	
.000 ± .005				.00 ± 0,2				NO		C-438051-1		REV A 00	
.0000 ± .0005				.000 ± 0,005				NO		C-438051-1		REV A 00	

AS UF 2003 R6-175

8      7      6      5      4      3      2      1