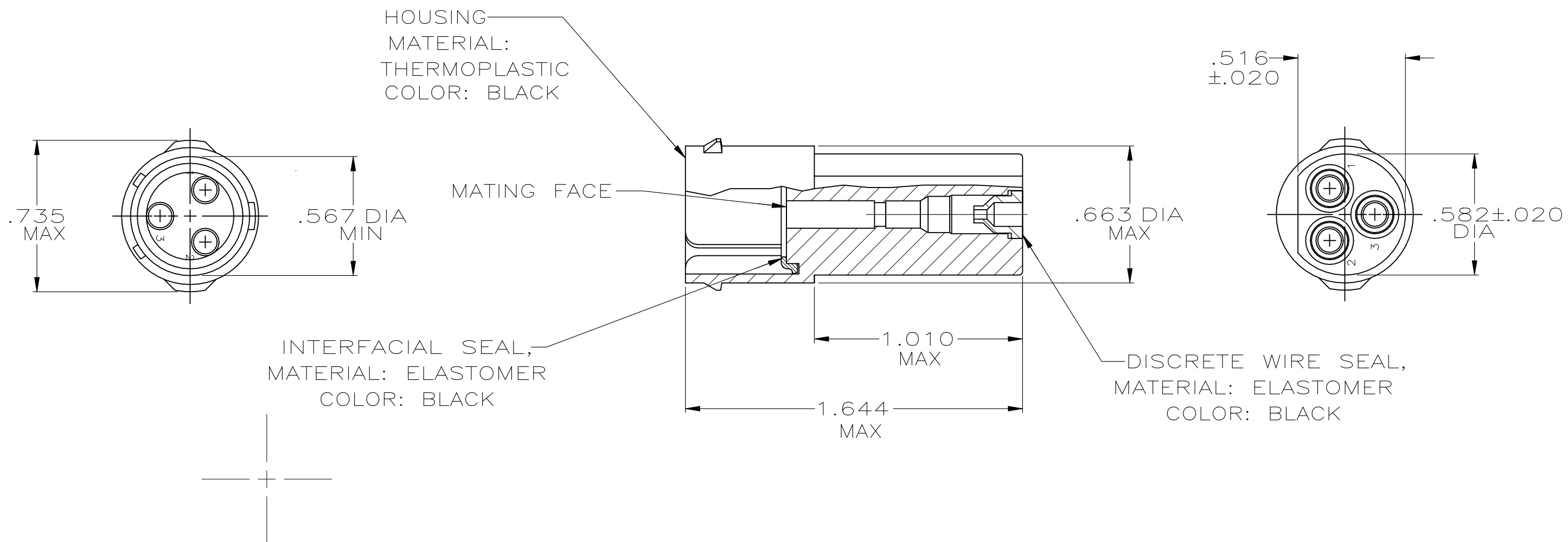


REVISIONS					
P	LTR	DESCRIPTION	DATE	DWN	APVD
	G	PER PCN E-20-018081	10MAR2021	SCK	



- 1 WIRE INSULATION SEALING RANGE: .130-.070 DIA.
- 2 THIN MEMBRANE PERMISSABLE ON SMALL DIAMETER OF WIRE SEALS.

207563-1  
PART NO

THIS DRAWING IS A CONTROLLED DOCUMENT.		DWN A.STAUB BG 7/31/90	TE Connectivity RECEPTACLE, 3 POSITION, STD. CIRCULAR SEALED CONNECTOR		
DIMENSIONS: INCHES		CHK -			
		TOLERANCES UNLESS OTHERWISE SPECIFIED:		PRODUCT SPEC -	APPLICATION SPEC -
MATERIAL SEE CALLOUT		FINISH -		WEIGHT 0.000000	SIZE A3
				CAGE CODE 00779	DRAWING NO C-207563
				CUSTOMER DRAWING	RESTRICTED TO -
				SCALE -	SHEET 1 OF 1
				REV G	