

THIS DRAWING IS A CONTROLLED DOCUMENT.

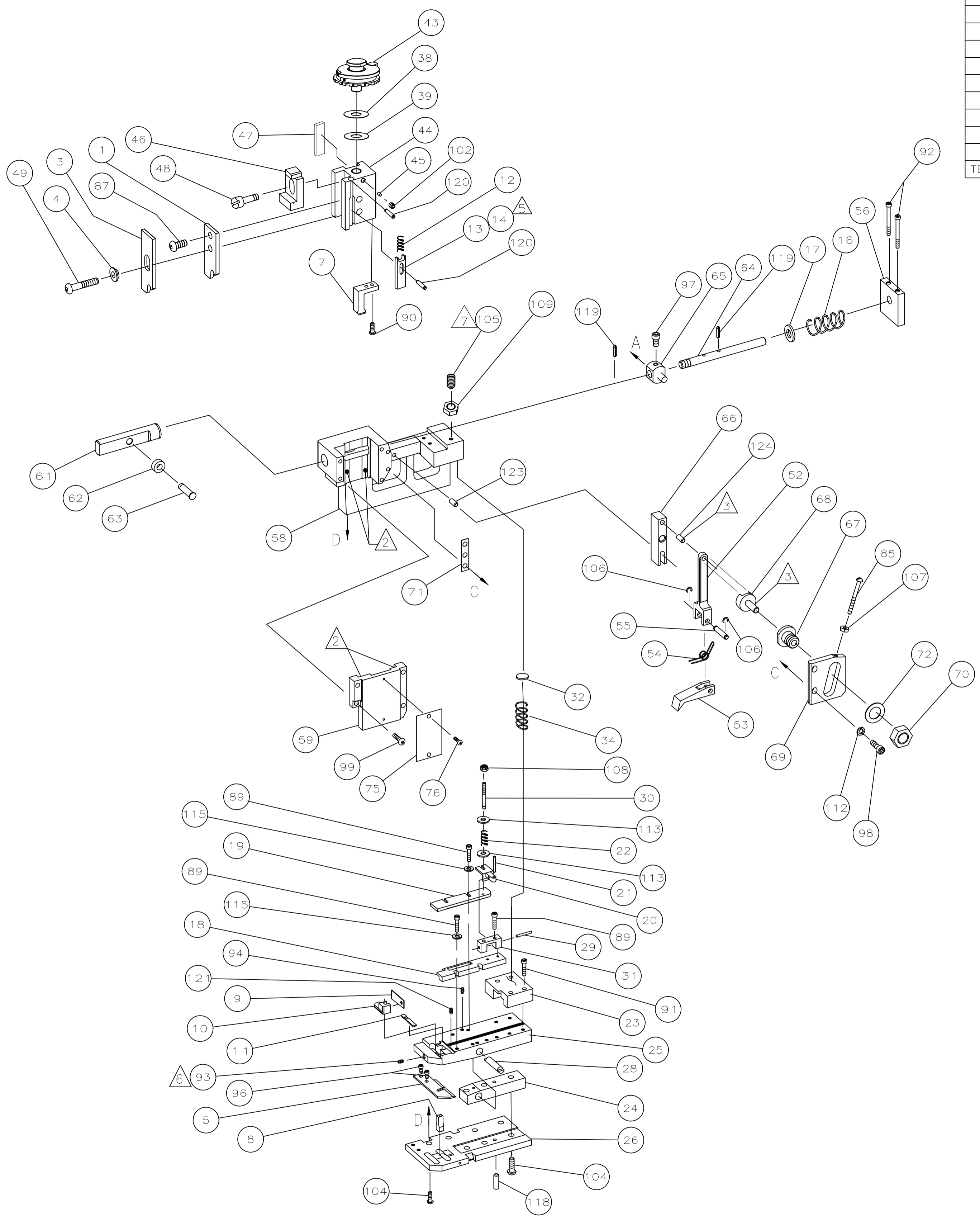
THIS INFORMATION IS CONFIDENTIAL AND PROPRIETARY TO TE CONNECTIVITY. IT IS TO BE USED ONLY FOR THE PURPOSES AND IN THE MANNER SPECIFIED IN THIS DOCUMENT. ANY DISCLOSURE TO OTHERS OR ANY REPRODUCTION, IN ANY MANNER, WITHOUT AUTHORIZATION FROM TE CONNECTIVITY IS STRICTLY PROHIBITED.

| PART NUMBER | REV | FIRST USED | POWER UNIT | FEED TYPE |
|-------------|-----|------------|------------|----------------|
| 1855521-1 | D | - | LEADMAKER | MECH POST FEED |

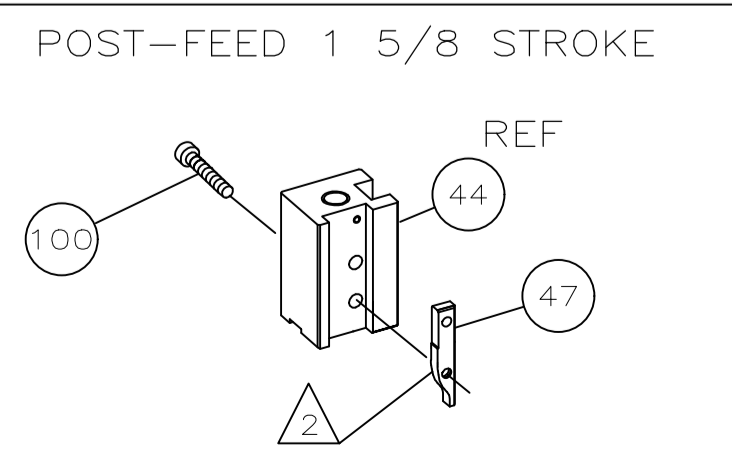
| TERMINAL NAME: | |
|-----------------------------|---------|
| .250 FLAG FASTON RECEPTACLE | 60851 |
| | 42563-6 |
| | 42563-8 |
| | 42563-9 |
| TERM APPL SPEC 114-2078 | |

| CRIMPING DATA | | | |
|-----------------------------|--------------|-------------|-------------|
| PAD LTR | CRIMP HEIGHT | WIRE SIZE | REF SETTING |
| A | .089±.002 | 10 | B0 |
| B | .075±.002 | 12 | D4 |
| C | NOT USED | USED | - |
| D | NOT USED | USED | - |
| CRIMP | SIZE | TYPE | RANGE |
| WIRE | .200 | TAB LOCK | 12-10 |
| INSUL | .200 | 0 | .110-.210 |
| FEED | APPL INST | SET UP GAGE | LAYOUT |
| .770 | A18031 | - | - |
| WIRE STRIP LENGTH .205-.235 | | | |

USED ON -



- ▲ RECOMMENDED SPARE PARTS.
- ▲ GREASE LIGHTLY.
- ▲ LUBRICATE DAILY USING NO. 20 MACHINE OIL.
- 4. DO NOT EXCEED 80 C.P.M. WITH THIS APPLICATOR.
- ▲ TERMINAL POSITIONERS (ITEMS 13 & 14) CAN BE CHANGED TO CENTER TAB IN SLOT WHILE CRIMPING
- ▲ APPLY LOCTITE P/N 1-23419-5 TO ITEM 93 AT ASSEMBLY.
- ▲ AFTER ASSEMBLY OF APPLICATOR, PROPER SPRING PRESSURE (ITEM 34) CAN BE OBTAINED BY TIGHTENING SET SCREW (ITEM 105) UNTIL CONTACT IS MADE WITH SPACER (ITEM 32) THEN TIGHTEN AN ADDITIONAL 5 1/2 - 6 REVOLUTIONS.



| | | | | |
|---|---|-----------|---------------------------------|-----|
| 1 | - | 1-21030-2 | PIN, DOWEL (Ø.187X.62) | 124 |
| 1 | - | 1-21030-6 | PIN, DOWEL (Ø.187X1.25) | 123 |
| 2 | - | 3-21028-2 | PIN, SLOTTED SPRING (Ø.094X.25) | 121 |
| 3 | - | 4-21028-9 | PIN, SLOTTED SPRING (Ø.125X.38) | 120 |
| 2 | - | 5-21028-1 | PIN, SLOTTED SPRING (Ø.125X.50) | 119 |
| 1 | - | 21029-5 | PIN, SLOTTED SPRING (Ø.188X.75) | 118 |
| 4 | - | 21024-4 | WASHER, LOCK (#8) | 115 |
| 2 | - | 21055-6 | WASHER, FLAT (#8) | 114 |
| 2 | - | 21899-2 | WASHER, FLAT (#10) | 113 |
| 2 | - | 21024-5 | WASHER, LOCK (#10) | 112 |
| 1 | - | 1-22202-7 | NUT, HEX (5/16-24) | 109 |
| 1 | - | 21022-3 | NUT, HEX (LOCKING)(10-32) | 108 |
| 1 | - | 21018-5 | NUT, HEX (6-32) | 107 |
| 2 | - | 21045-3 | RING, RET "C" (Ø.187) FD PIN | 106 |
| 1 | - | 8-21007-5 | SCREW, SKT SET (5/16-24x.75) | 105 |
| 7 | - | 2-22733-8 | SCREW, BHC (1/4-20X.63) | 104 |
| 1 | - | 21009-2 | SCREW, SKT SET (1/4-20x.25) | 102 |
| 2 | - | 3-21000-9 | SCREW, SHC (10-32X1.00) | 100 |
| 4 | - | 3-21000-8 | SCREW, SHC (10-32X.88) | 99 |
| 2 | - | 3-21000-6 | SCREW, SHC (10-32X.62) | 98 |
| 1 | - | 3-21000-4 | SCREW, SHC (10-32X.38) | 97 |
| 2 | - | 7-21000-6 | SCREW, SHC (10-32X.31) | 96 |
| 1 | - | 4-21006-5 | SCREW, SKT SET (8-32X.62) | 94 |
| 1 | - | 21061-9 | SCREW, SKT SET (8-32X.25) | 93 |
| 2 | - | 3-21000-0 | SCREW, SHC (8-32X.88) | 92 |
| 4 | - | 2-21000-9 | SCREW, SHC (8-32X.75) | 91 |
| 2 | - | 1-23030-1 | SCREW, SHC (NYLOK)(8-32X.62) | 90 |
| 6 | - | 2-21000-8 | SCREW, SHC (8-32X.62) | 89 |
| 1 | - | 2-21002-1 | SCREW, SBHC (8-32X.38) | 87 |
| 1 | - | 6-23715-5 | SCR, PAN HD(6-32x1.50)FEED ADJ | 85 |
| 1 | - | 21017-2 | SCR, DRIVE (2X .19) | 76 |
| 1 | - | 461264-5 | PLATE, IDENTIFICATION | 75 |
| 1 | - | 458109-1 | WASHER, SPECIAL | 72 |
| 1 | - | 690517-1 | SPACER | 71 |

| QTY REQD PER ASSY | U/M | PART NO | DESCRIPTION | ITEM NO |
|-------------------|-----|---------|-------------|---------|
| PARTS LIST | | | | |

| | | | | |
|---|---|------------|-------------------------------|----|
| 1 | - | 22594-8 | NUT, HEX | 70 |
| 1 | - | 240628-1 | PLATE, ADJ | 69 |
| 1 | - | 240626-1 | SHAFT, PIVOT | 68 |
| 1 | - | 240633-1 | BUSHING | 67 |
| 1 | - | 240630-1 | LEVER, INTERMEDIATE | 66 |
| 1 | - | 1804317-1 | BLOCK, PIVOT | 65 |
| 1 | - | 1633286-1 | SCR, ADJ | 64 |
| 1 | - | 240659-3 | PIN, CAM ROLLER | 63 |
| 1 | - | 240658-1 | ROLLER, CAM | 62 |
| 1 | - | 240631-1 | ROD, FEED | 61 |
| 1 | - | 2217626-1 | CAP ASSEMBLY | 59 |
| 1 | - | 2217625-1 | HOUSING | 58 |
| 1 | - | 458361-1 | GUIDE, FEED ROD | 56 |
| 1 | - | 240624-1 | PIN, FEED FINGER | 55 |
| 1 | - | 691499-1 | SPRING, FEED FINGER | 54 |
| 1 | - | 454568-1 | FINGER, FEED | 53 |
| 1 | - | 240634-1 | LEVER, TERMINAL | 52 |
| 1 | - | 3-21002-5 | BOLT, CRIMPER | 49 |
| 1 | - | 2256119-1 | SCREW, SHOULDER | 48 |
| 1 | - | 238015-1 | CAM, POST-FEED 1 5/8 ST | 47 |
| 1 | - | 690578-3 | BLOCK, INSULATION ADJUST | 46 |
| 1 | - | 690191-1 | PLUG, NYLON | 45 |
| 1 | - | 2217624-1 | RAM | 44 |
| 1 | - | 879103-2 | FINE ADJUST HEAD ASSY | 43 |
| 1 | - | 690125-1 | SHIM, SUB-ASSY | 39 |
| 1 | - | 1-469367-2 | SHIM | 38 |
| 1 | - | 3-23846-5 | SPRING, HINGE BAR | 34 |
| 1 | - | 690573-1 | SPACER, SPRING | 32 |
| 1 | - | 454569-1 | MOUNT, DRAG | 31 |
| 1 | - | 1-22354-8 | STUD, DRAG | 30 |
| 1 | - | 21030-2 | PIN, MOUNT, DRAG | 29 |
| 1 | - | 1633530-1 | PIN, HINGE | 28 |
| 1 | - | 684905-1 | PLATE, BASE | 26 |
| 1 | - | 454579-2 | HINGE BAR | 25 |
| 1 | - | 690571-1 | BLOCK, STABILIZER | 24 |
| 1 | - | 690585-1 | BLOCK, PRESSURE | 23 |
| 1 | - | 22282-5 | SPRING, DRAG | 22 |
| 1 | - | 21030-6 | LEVER, DRAG | 21 |
| 1 | - | 454570-1 | DRAG, STOCK | 20 |
| 1 | - | 454573-1 | GUIDE, STRIP (REAR) | 19 |
| 1 | - | 454571-1 | GUIDE, STRIP (FRONT) | 18 |
| 1 | - | 21899-4 | WASHER, ADJ. SCREW | 17 |
| 1 | - | 4-22284-9 | SPRING, FEED RETURN | 16 |
| 1 | - | 1-692134-6 | POSITIONER, TERMINAL | 14 |
| 1 | - | 692134-6 | POSITIONER, TERMINAL | 13 |
| 1 | - | 5-22280-5 | SPRING, TERM. POSITIONER | 12 |
| 1 | - | 454711-1 | PLATE, REAR SHEAR | 11 |
| 1 | - | 454710-1 | ANVIL INSERT | 10 |
| 1 | - | 1-690569-1 | PLATE, FRONT SHEAR | 9 |
| 1 | - | 690761-1 | ANVIL | 8 |
| 1 | - | 454575-4 | BLADE, SLUG | 7 |
| 1 | - | 684906-1 | PLATE, ANVIL RETAINING | 5 |
| 1 | - | 690574-1 | SPACER, TUBULAR INSUL CRIMPER | 4 |
| 1 | - | 690764-4 | CRIMPER, INSULATION | 3 |
| 1 | - | 690763-2 | CRIMPER, WIRE | 1 |

| QTY REQD PER ASSY | U/M | PART NO | DESCRIPTION | ITEM NO |
|-------------------|-----|---------|-------------|---------|
| PARTS LIST | | | | |