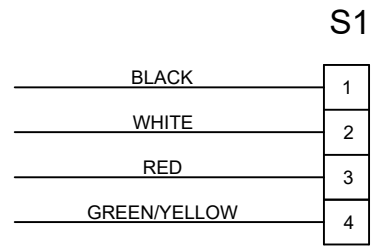
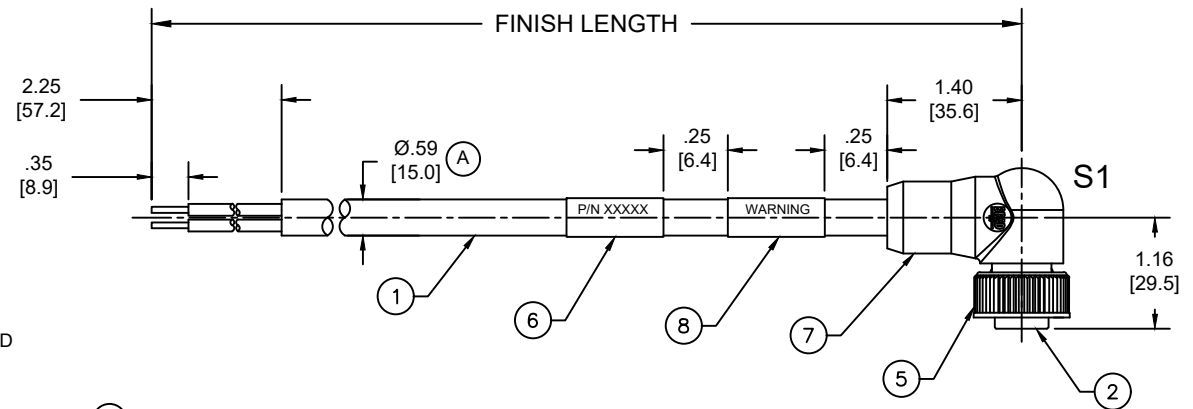
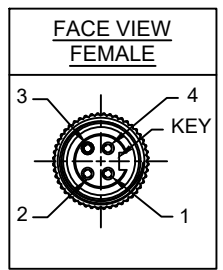


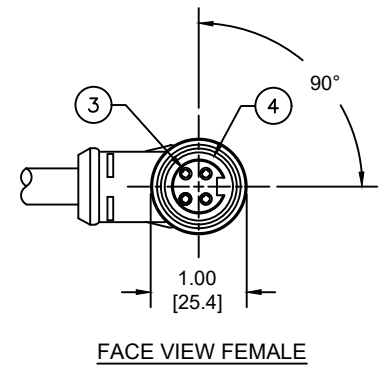
MATERIAL NUMBER	ENGINEERING NUMBER	FINISHED LENGTH
1300610110	104001A46F200	20FT [6.1M]
1300610125	104001A46M100	10M [32FT 10 IN]
1300610128	104001A46M270	27M [88FT 7 IN]

**(A) PART NUMBER LEGEND**  
104001A46F200

LENGTH:  
F100= 10 FEET  
F200= 20 FEET  
M005= 0.5 METER  
M010= 1 METER  
M100= 10 METER



- NOTES:**
- MATERIAL: AS NOTED
  - FINISH: AS NOTED
  - ELECTRICAL:  
VOLTAGE: 483V PER IEC60664 (A)  
600V PER UL2237  
CURRENT: 15A
  - TEMP RATING: -20°TO +105°C (A)
  - PROTECTION: IP67 (WHEN MATED)
  - COUPLING THREAD: 7/8"-16UN
  - UL LISTED FILE: E258922
  - ALL DIMENSIONS ARE FOR REFERENCE UNLESS TOLERANCED OR NOTED OTHERWISE



**(A) CABLE LENGTH TOLERANCES**

<.3M [1FT]:	+19mm-0 [+ .75in-0]
.3 - .9M [1 - 3FT]:	+44.5mm-0 [+1.75in-0]
.9 - 1.8M [3 - 6FT]:	+55.6mm-0 [+2.19in-0]
1.8 - 3.7M [6 - 12FT]:	+88.9mm-0 [+3.50in-0]
3.7 - 7.3M [12 - 24FT]:	+165.1mm-0 [+6.50in-0]
7.3-14.6M [24 - 48FT]:	+317.5mm-0 [+12.50in-0]
14.6 - 30.5M [48-100FT]:	+622.3mm-0 [+24.50in-0]
OVER 30M [100FT]	+2% OF FINISHED LENGTH

8	WARNING LABEL	VINYL	BLACK
7	OVERMOLD	TPE	GRAY
6	WRAP LABEL	VINYL	YELLOW
5	COUPLING NUT	ZINC ALLOY	BLACK E-COAT
4	FRICTION RING	NYLON	WHITE
3	SOCKET CONTACT	BRASS	GOLD OVER NICKEL
2	INSERT	TPE	BLACK
1	#14/4 CABLE	PVC JACKET	GRAY
ITEM	DESCRIPTION	MATERIAL	FINISH

FUNCTIONAL SYMBOLS										THIS DRAWING CONTAINS INFORMATION THAT IS PROPRIETARY TO MOLEX ELECTRONIC TECHNOLOGIES, LLC AND SHOULD NOT BE USED WITHOUT WRITTEN PERMISSION														
DIMENSION UNITS					SCALE					CURRENT REV DESC: ITEM 2 & 7 WERE PVC. SOCKET & SLEEVE SHOWN AS ITEM-3. ADDED IEC VOLTAGE, PN LEGEND, CABLE DIA & TOL CHART. MODIFIED TEMP RATING AND PN TABLE. REMOVED CSA IN NOTES														
INCH/MM					NTS					<p><b>molex</b></p> <p>BRAD POWER CORDSET, A-SIZE</p> <p>4-POLE, FEMALE 90DEG, SINGLE KEY, #14 AWG</p> <p>PRODUCT CUSTOMER DRAWING</p> <p>DOCUMENT NUMBER: SD-130061-014    DOC TYPE: PSD    DOC PART: 001    REVISION: A</p>														
GENERAL TOLERANCES (UNLESS SPECIFIED)																								
					mm															INCH				
4 PLACES					±----															±----				
3 PLACES					±----															±----				
DIVISIONAL SYMBOLS										EC NO: 698916														
1 PLACE					±----					±----					DRWN: ABENJAMINLW    2021/06/14									
0 PLACES					±----					±----					CHK'D: RSTONE    2022/03/09									
ANGULAR TOL ± ---- °										APPR: BWOODMAN    2022/03/11														
DRAFT WHERE APPLICABLE MUST REMAIN WITHIN DIMENSIONS										THIRD ANGLE PROJECTION					DRAWING: A-SIZE					SERIES: 130061				
										MATERIAL NUMBER: SEE CHART					CUSTOMER: GENERAL MARKET					SHEET NUMBER: 1 OF 1				

DOCUMENT STATUS	P1	RELEASE DATE	2022/03/11	14:29:46
-----------------	----	--------------	------------	----------