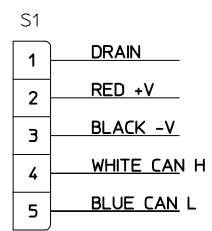
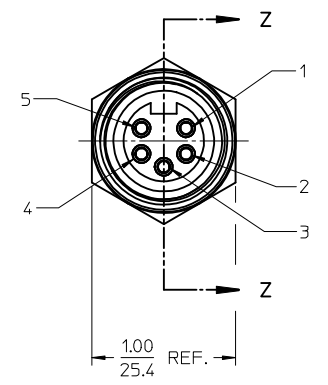
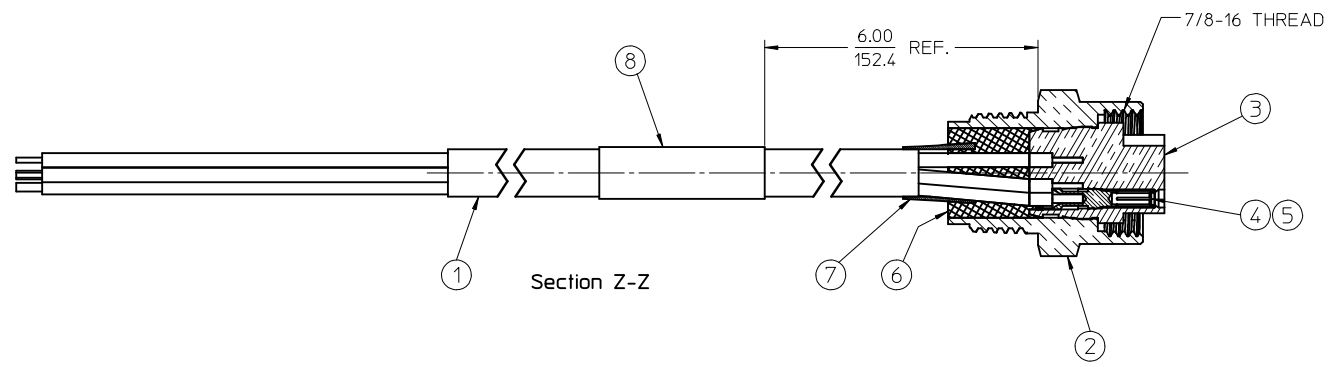
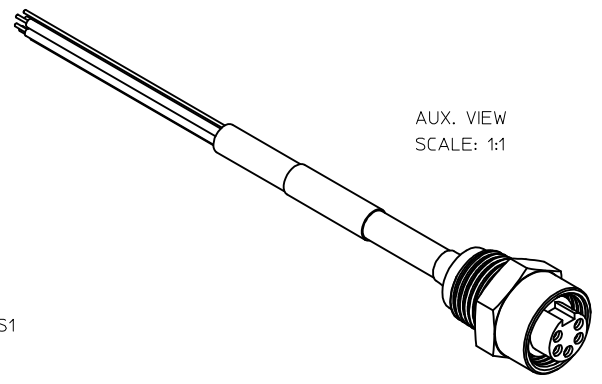
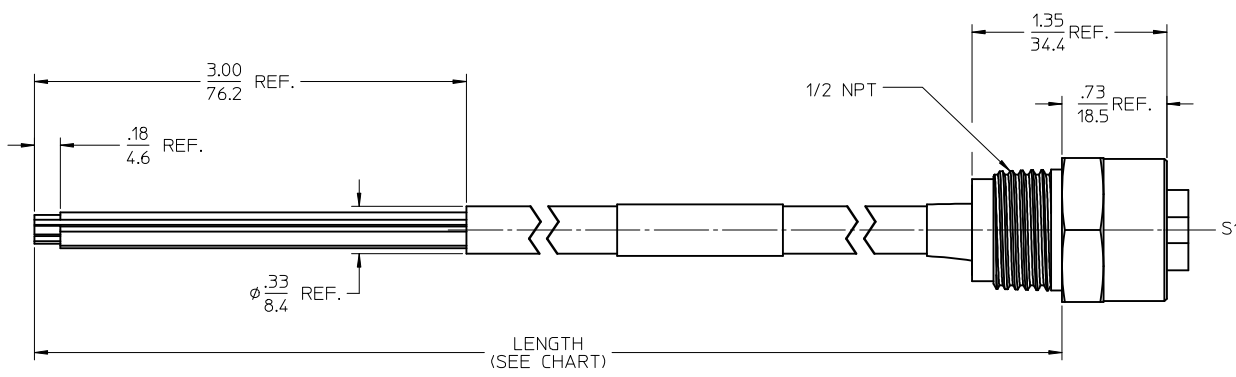


MATERIAL NO.	ENGINEERING NO.	LENGTH
1300390311	DNB5000-M005	19.69 +1.75-0 [0.5M +44.5-0]
1300390312	DNB5000-M010	39.37 +2.19-0 [1.0M +55.6-0]



WIRING DIAGRAM

- NOTES:
1. MATERIAL: SEE TABLE
 2. FINISHES: SEE TABLE
 3. CABLE ASSEMBLIES ARE BAGGED SEPERATELY IN POLY BAGS WITH BARCODE LABEL ATTACHED TO OUTSIDE OF BAG
 4. WRAP LABEL IS MARKED WITH P/N, DATE CODE VOLTAGE & AMPERAGE
 5. MATES WITH: MINI CHANGE, A-SIZE 5 POLE CABLE ASSY.
 6. ELECTRICAL SPECIFICATIONS:
VOLTAGE RATING: 300V
CURRENT RATING: 4 AMPS
 7. ASSEMBLY IS RoHS COMPLIANT

ITEM	QTY.	DESCRIPTION	MATERIAL	FINISH
8	1	LABEL	PLASTIC FILM	BLACK/YELLOW
7	1	SHRINK TUBE	POLYOLEFIN	BLACK
6	1	POTTING	EPOXY	
5	5	SOCKET SLEEVE	ST.STEEL	
4	5	CONTACT SOCKET	BRASS	GOLD PLATED
3	1	INSERT	PVC	GRAY
2	1	RECEPTACLE SHELL	ALUMINUM	CLEAR ANODIZED
1	1	CABLE, DEV-NET, 16/20 AWG	PVC INSULATED	GRAY

RELEASED
EC NO: WNA2009-0766
DRAWN BY: R.STONE 2009/05/26
CHKD BY: WOODMAN
APPR: J.MURPHY 2009/06/10

QUALITY SYMBOLS
▽=0
▽=0

GENERAL TOLERANCES (UNLESS SPECIFIED)

	mm	INCH
4 PLACES ±	---	±---
3 PLACES ±	---	±---
2 PLACES ±	---	±.01
1 PLACE ±	0.3	±---

ANGULAR ±1/2°

DRAFT WHERE APPLICABLE MUST REMAIN WITHIN DIMENSIONS

DIMENSION STYLE
IN/MM

SCALE
1.5:1

DESIGN UNITS
INCH

THIRD ANGLE PROJECTION

TITLE
MINI-CHANGE, RECEPTACLE FEMALE, DEVICE-NET WITH CABLE

APPROVED BY
J.MURPHY 2009/05/27

MATERIAL NO.
SEE CHART

DOCUMENT NO.
SD-130039-003

SHEET NO.
1 OF 1

THIS DRAWING CONTAINS INFORMATION THAT IS PROPRIETARY TO MOLEX INCORPORATED AND SHOULD NOT BE USED WITHOUT WRITTEN PERMISSION