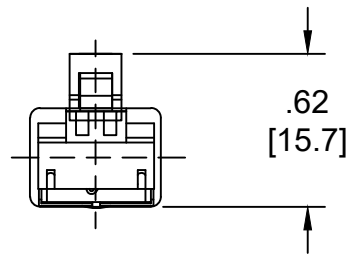
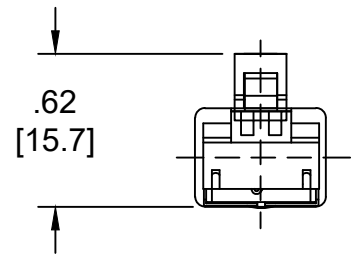
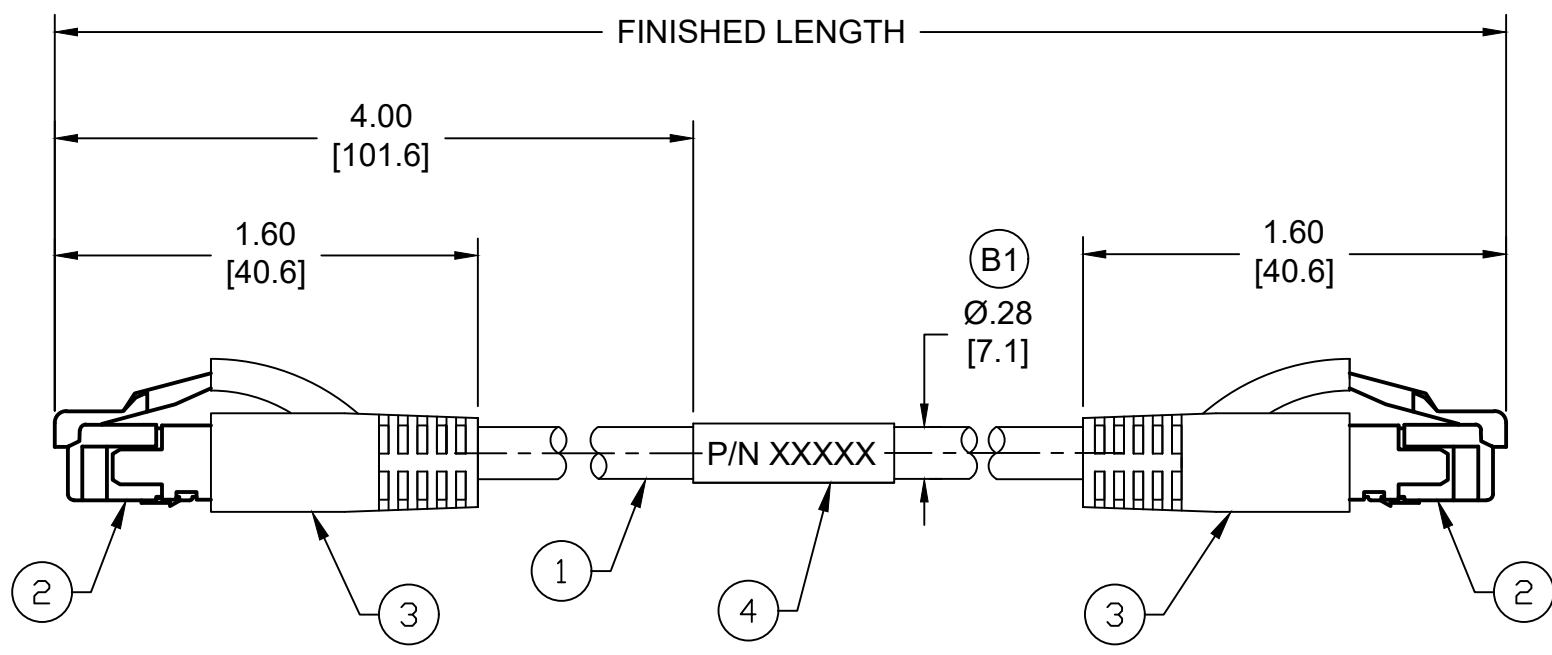
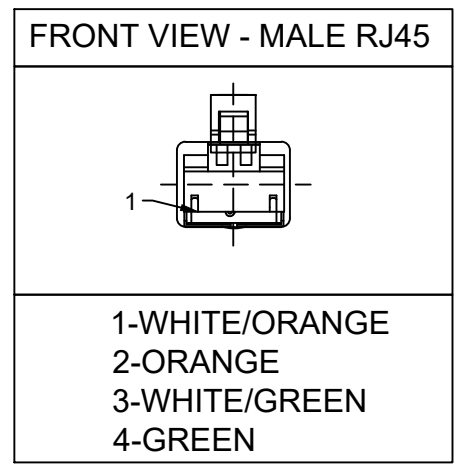


MATERIAL NUMBER	ENGINEERING NUMBER	FINISHED LENGTH
1201088186	E66A06006M005	0.5M [1FT 8 IN]
1201088179	E66A06006M400	40M[131FT 3 IN]
1201080448	E66A06006M800	80M[262FT 6 IN]

(B1)



- NOTES:
1. MATERIAL: AS NOTED
 2. FINISH: AS NOTED
 3. ELECTRICAL:
VOLTAGE: 30V AC/DC
CURRENT: 1.5A
 4. TEMP RATING: -20°TO +75°C (B1)
 5. UL LISTED FILE: E361772 (B1)
 6. ALL DIMENSIONS ARE FOR REFERENCE UNLESS TOLERANCED OR NOTED OTHERWISE

PART NUMBER LEGEND
E66A06006M005

- FINISHED LENGTH
M005 - 0.5 METER
M010 - 1 METER
M200 - 20 METER

(B1) CABLE LENGTH TOLERANCES

<.3M [1FT]:	+19mm-0 [+ .75in-0]
.3 - .9M [1 - 3FT]:	+44.5mm-0 [+1.75in-0]
.9 - 1.8M [3 - 6FT]:	+55.6mm-0 [+2.19in-0]
1.8 - 3.7M [6 - 12FT]:	+88.9mm-0 [+3.50in-0]
3.7 - 7.3M [12 - 24FT]:	+165.1mm-0 [+6.50in-0]
7.3-14.6M [24 - 48FT]:	+317.5mm-0 [+12.50in-0]
14.6 - 30.5M [48-100FT]:	+622.3mm-0 [+24.50in-0]
OVER 30M [100FT]:	+2% OF FINISHED LENGTH

ITEM	DESCRIPTION	MATERIAL	FINISH
4	WRAP LABEL	VINYL	BLACK/WHITE
3	RJ45 BOOT, HOODED	PVC	BLACK
2	RJ45 PLUG	POLYCARBONATE	TRANSPARENT
1	CABLE, ETHERNET, 24 AWG	TPE JACKET	BLUE

FUNCTIONAL SYMBOLS F=0 C=0 P=0	THIS DRAWING CONTAINS INFORMATION THAT IS PROPRIETARY TO MOLEX ELECTRONIC TECHNOLOGIES, LLC AND SHOULD NOT BE USED WITHOUT WRITTEN PERMISSION			
	DIMENSION UNITS	SCALE		
	INCH/MM	NTS	EC NO: 703079	
	GENERAL TOLERANCES (UNLESS SPECIFIED)		DRWN: ABENJAMINLW 2021/10/29	ETHERNET
DIVISIONAL SYMBOLS	4 PLACES ±----	±----	CHK'D: RSTONE 2022/04/12	MALE RJ45/RJ45 #24-2P BLUE TPE CAT5E
	3 PLACES ±----	±----	APPR: BWOODMAN 2022/04/18	
	2 PLACES ±----	±----	PRODUCT CUSTOMER DRAWING	
	1 PLACE ±----	±----	DOCUMENT NUMBER	
0 PLACES ±----	±----	INITIAL REVISION:	SD-120108-054	
ANGULAR TOL ± ---- °		DRWN: BARDEN 2013/02/15	PSD	001
		APPR: JFMURPHY 2013/04/18	B1	
DRAFT WHERE APPLICABLE MUST REMAIN WITHIN DIMENSIONS	THIRD ANGLE PROJECTION	DRAWING	SERIES	MATERIAL NUMBER
		B-SIZE	120108	SEE CHART
				CUSTOMER
				GENERAL MARKET
				SHEET NUMBER
				1 OF 1